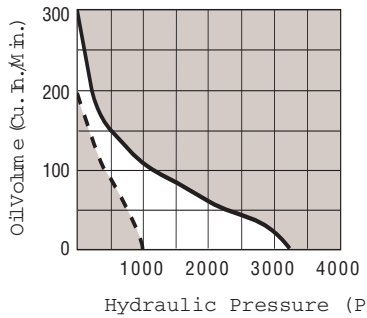




Available with all piston options, this single-stage pump is a continuous pressure, reciprocating, stall-type pump: air pressure is simply converted to hydraulic pressure. Operated by any compressed air source, this pump saves energy by stalling when pressure is developed, and requires no energy to maintain system pressure. It features single-stage operation, and can accept any Hytec pump-mounted valve. An air supply filter/lubricator/regulator (not included) is required for making hydraulic pressure adjustments.

**Features:**

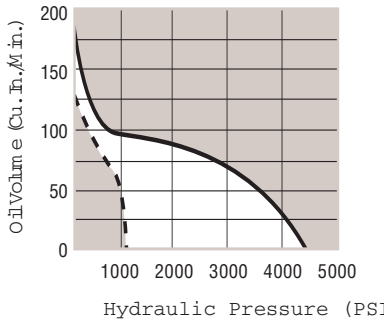
- Filtered fill cap with dipstick
- Liquid filled gauge
- 105 cu. in., high-density polyethylene reservoir
- 1/4" NPTF outlet manifold
- 1/4" NPTF air inlet port
- 98 cu. in. usable oil
- Shipped filled with oil
- Operating Pressure Range (nominal):
  - 100280-** 4,475 psi @ 125 psi air, max.  
1,150 psi @ 40 psi air, min.
  - 100987-** 3,325 psi @ 125 psi air, max.  
925 psi @ 40 psi air, min.
- .437 dia. piston size
- .50 dia. piston size



**Performance**

No. 100987

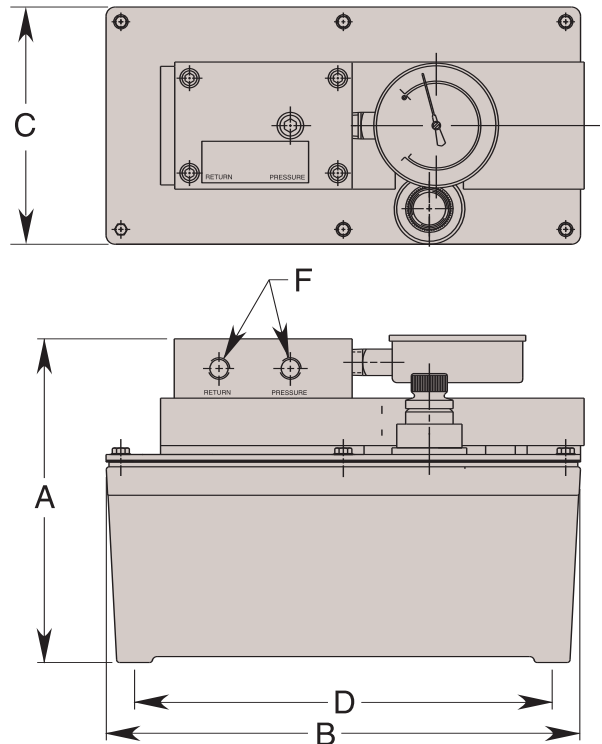
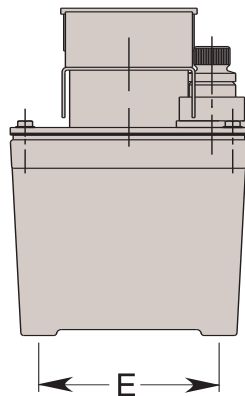
- - - 40 psi Air Pressure
- 125 psi Air Pressure



**Performance**

No. 100280

- - - 40 psi Air Pressure
- 125 psi Air Pressure



Cat. No.	Specifications			Dimensions (In Inches)					
	Piston Dia.	Operating Pressure Range		A	B	C	D	E	F Ports
		@ 125 psi Air Max.	@ 40 psi Air Min.						
100280	.437	4,475	1,150	7.000	10.000	5.000	9.000	4.000	1/4 NPT
100987	.500	3,325	925						

**NOTE:** Mounting screws included (9-15 x 1.000 Lg.).  
**AIR REQUIREMENTS:** 20 CFM (max.) at low hydraulic pressure decreasing to 0 CFM when pump stalls.