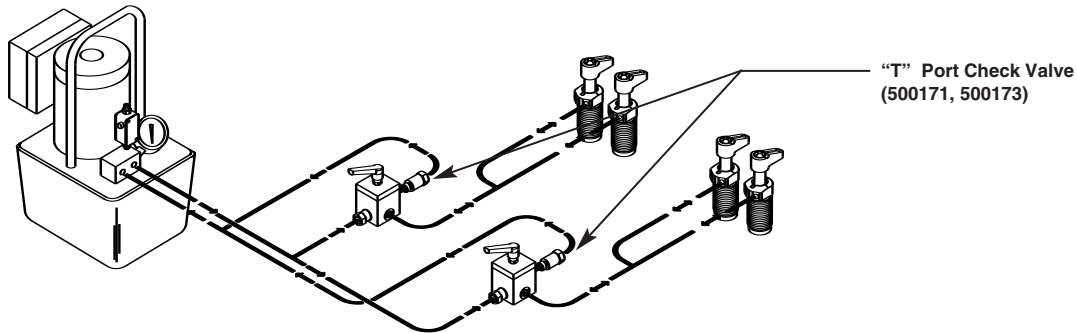
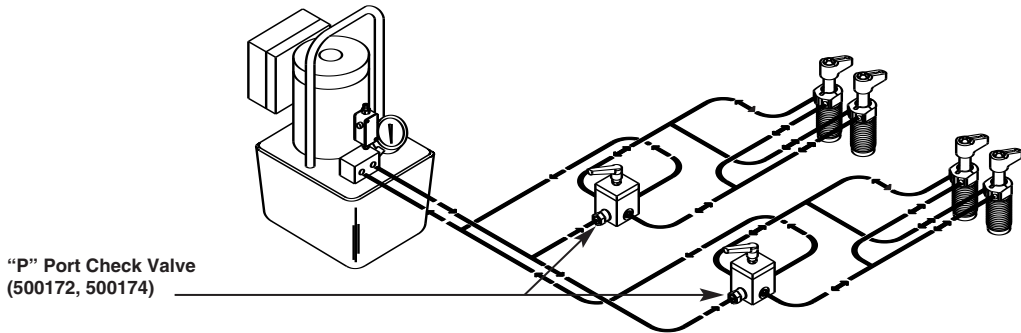
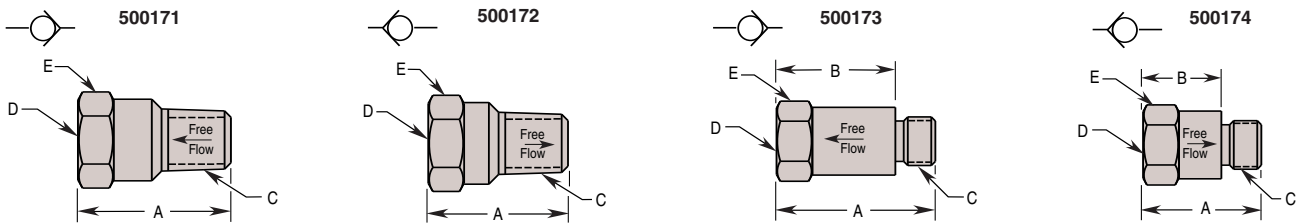




Both the 1/4 NPT "T" Port Check Valve (part number 500171) and the SAE-4 (part number 500173) are recommended on single acting circuits where there is more than one directional valve per power source. These check valves are ideal for use in circuits where return line pressure fluctuations may affect released clamps. Use this anytime a return line pressure spike could cause unclamped actuators to move and affect operator safety. They are designed specifically for Hytec's No. 100969 and No. 100970 Directional Control Valves.

The 1/4 NPT (500172) and the SAE-4 (500174) "P" port check valves are required on all single acting or double acting circuits where there is more than one directional valve per power source. These check valves prevent power source pressure fluctuations from affecting the pressure in clamped circuits. Without this check valve, shifting the directional control valve in one circuit will cause a temporary loss of clamping pressure in the other circuit.



Cat. No.	Specifications			Dimensions (In Inches)				
	Check Valve Location	Cracking Pressure (psi)	Use With Directional Valve No.	A	B	C Thread Size	D Thread Size	E Hex
500171	Outlet	2	100970	1.349	-	1/4 NPTF	1/4 NPTF	.750
500172	Inlet			1.259				
500173	Outlet	2	100969	1.431	1.071	3/16-20UNF SAE-4	3/16-20UNF SAE-4	.625
500174	Inlet			1.065				