

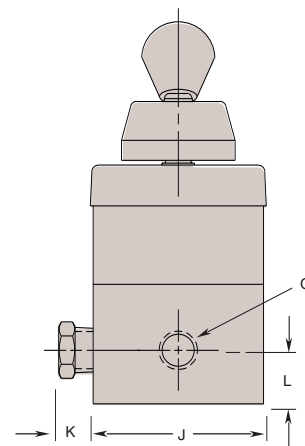
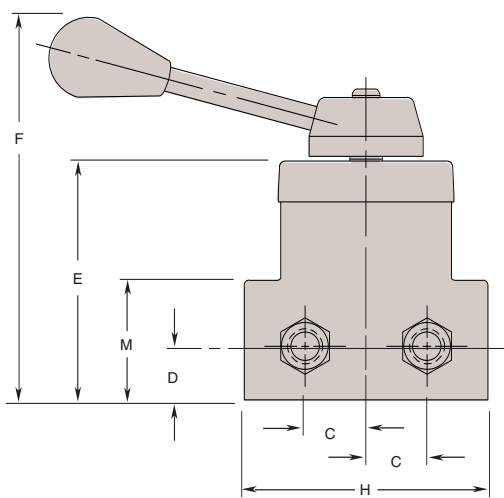
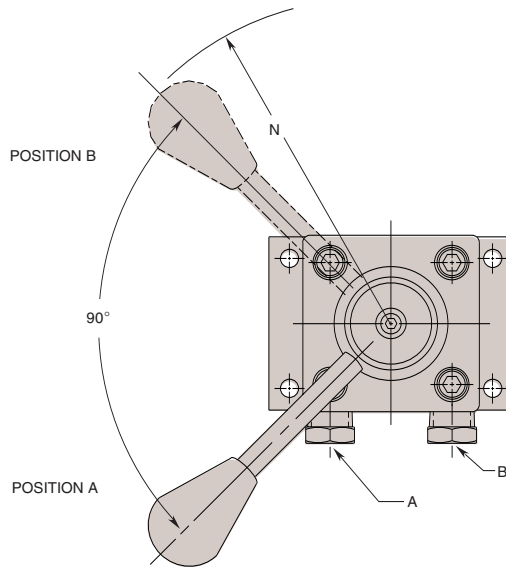
Pump Mounted Control Valve



Designed to be used in applications where the pump is located near the operator with the valve mounted directly on the pump. This configuration eliminates the need for pressure and return lines between the pump and remote mounted control valves. It will replace the outlet manifold on most Hytec constant pressure pumps having that feature. (For use with Hytec No. 100178 pump, contact Hytec Technical Services.) One pump/valve combination is required for each circuit to be controlled.

Features:

- 3-way/4-way, 2-position, detented
- Manually operated
- Pump mounted
- Handle swings 90° and can be repositioned in 22.5° intervals
- Single- or double-acting systems
- ¼" NPTF reducer bushing
- Includes mounting hardware, return tube
- 5,000 psi max.
- 5 gpm max.



Cat. No.	Dimensions (In Inches)												
	A Port	B Port	C	D	E	F	G Gauge-Port	H	J	K	L	M	N Rad.
9504	¼ NPTF	¼ NPTF	.937	.750	3.188	5.562	¼ NPTF	3.750	2.660	.531	.812	1.437	5.031