

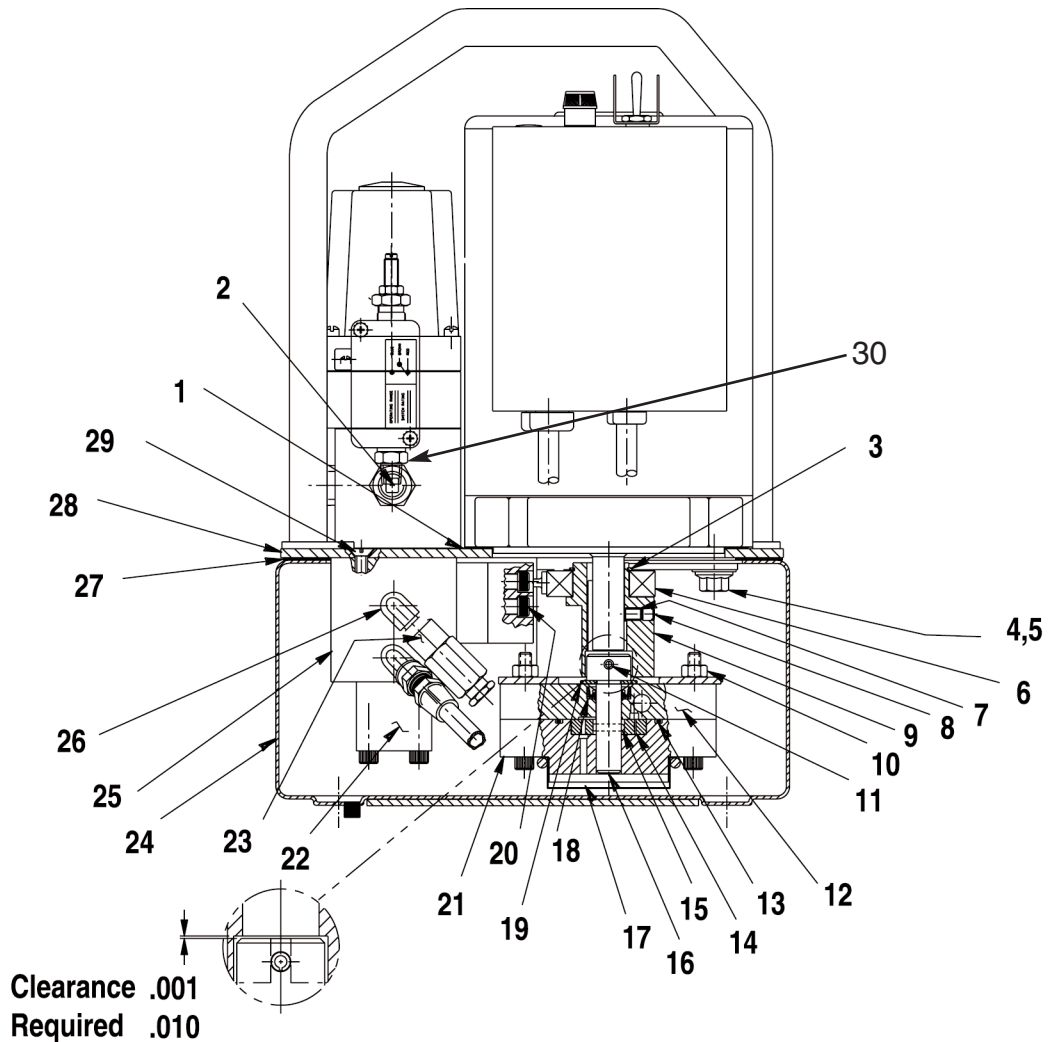
Parts List for:

PE302S-TYCO 115
PE302S-TYCO220

MODEL A ELECTRIC HYDRAULIC PUMP Max. Capacity: 10,000 PSI



This view illustrates models with a 1-3/4 gallon reservoir.

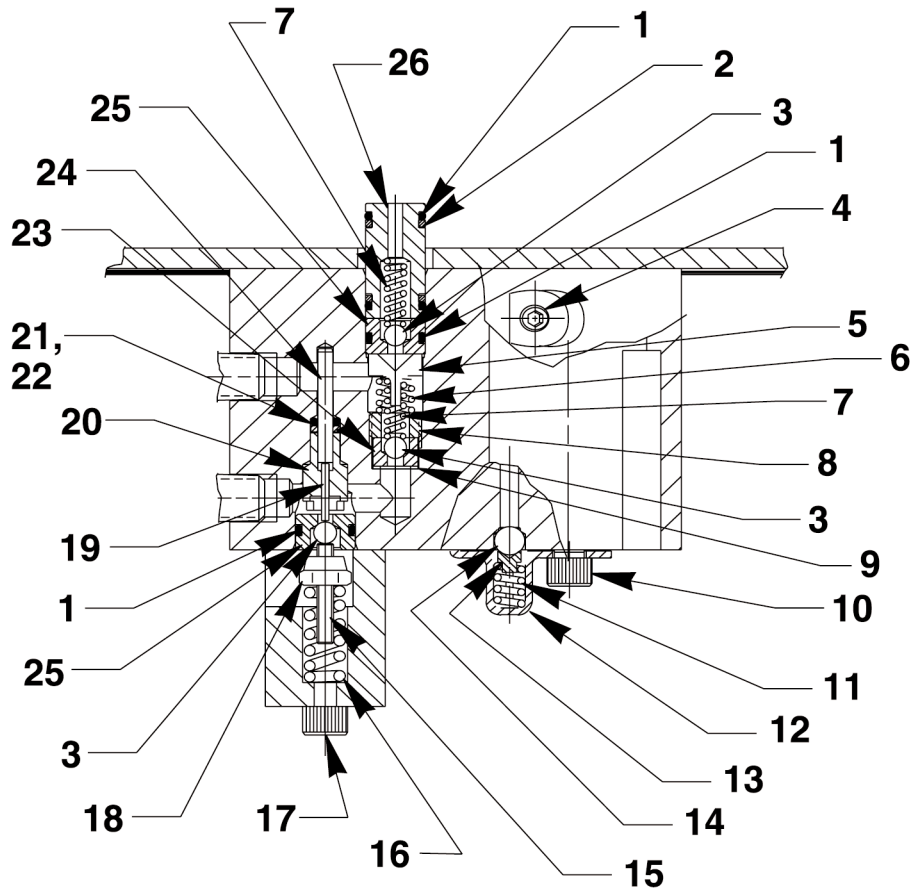


Parts List, Form No. 1000009, Back sheet 1 of 6

Item No.	Part No.	No. Req'd	Description
1	351060	1	Motor Base Gasket
2	9686	1	Fitting, 90 Degree Elbow
3	209798	1	Retaining Ring
4	213663	4	Cap Screw (3/8-16 UNC X 1" Lg.;
			Torque to 230/250 in. lbs.)
5	10258	4	Washer (For 3/8 bolt)
6	209805	1	Ball Bearing
7	10136	1	Set Screw (1/4-20 UNC x 1/4 Lg.;
			Torque to 60/80 in. lbs.)
8	10519	1	Set Screw (1/4-20 UNC X 3/8 Lg.;
			Torque to 60/80 in. lbs.)
9	420840	1	Eccentric
10	10199	2	Hex Nut (1/4-20 UNC)
11	12298	1	Roll Pin (3/16 dia. x 1-1/2" Lg.)
12	64623	1	Upper Gerotor Housing
13	10922	1	O-ring (2-1/8" X 1-15/16" X 3/32)
14	304826	1	Gerotor
15	209794	1	Gerotor Drive Pin
16	350940	1	Gerotor Shaft
17	21846	1	Filter Support
18	304830	1	Oil Seal
19	12595	1	Washer (1-1/8" X 1/2 X .077 Thk.)
20	10022	4	Screw (1/4-20 UNC X 1-1/2" Lg.;
			Torque to 180/200 in. lbs.)
21	64580	1	Gerotor Housing
22	350930	1	Retaining Block
23	21278	1	Relief Valve Assembly (Set at
			10,100/10,700 PSI
24	64665OR9	1	Reservoir (1 Gal.)
25	64612	1	Check Body
26	13229	1	Street Elbow
27	420931	1	Reservoir Gasket
28	64666BK2	1	Cover Plate
29	11529	2	Screw (1/4-20 UNC x 3/4 Lg.)
30	9679	1	Connector, Reducer (1/4" x 3/8")

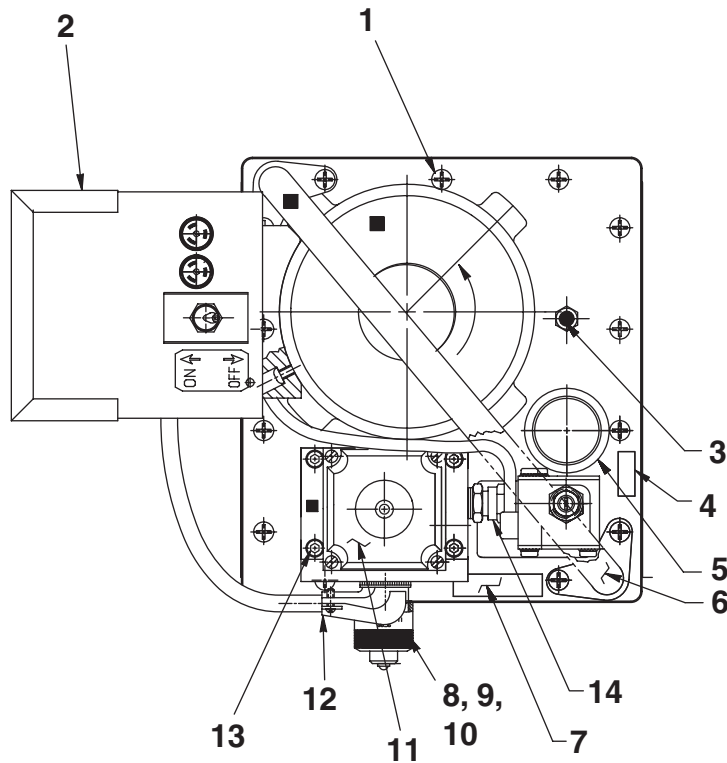


HIGH PRESSURE PUMP ASSEMBLY



Item No.	Part No.	No. Req'd	Description	Item No.	Part No.	No. Req'd	Description
1	10268	4	O-ring (1/2 X 3/8 X 1/16)	14	10374	1	Steel Ball (7/32 Dia.)
2	11863	2	Backup Washer (1/2 X 3/8 X 1/16)	15	251067	1	Set Screw (Unloading valve; #10-24 UNC x 1" Lg.)
3	12223	3	Ball (3/16 Dia.)	16	14484	1	Compression Spring (3/8 O.D. X 1" Lg.)
4	15130	1	Plug (1/16 NPTF)	17	10854	2	Cap Screw (1/4-20 UNC X 1-3/4" Lg.; Torque to 60/80 in. lbs.)
5	251601	1	Outlet Ball Stop	18	207405	1	Locknut (10-24 UNC)
6	10444	1	Compression Spring (3/16 I.D. X 13/32 Lg.)	19	251611	1	Dowel Pin (1/2 x 3/8 x .049)
7	10445	2	Compression Spring (5/32 O.D. X 3/4 Lg.)	20	251068	1	Guide
8	209797	1	Hollow Lock Screw (7/16-20 UNF-3A; Torque to 110/130 in. lbs.)	21	17797	1	O-ring (1/4 X 1/8 X 1/16)
9	10442	1	Washer (3/8 X 1/4 X 1/32)	22	214992	1	Backup Ring (15/64 x 1/8 x 3/64)
10	10002	1	Cap Screw (1/4-20 UNC X 3/8 Lg.; Torque to 60/80 in. lbs.)	23	209787	1	Replaceable Seat
11	15691	1	Compression Spring (1/4 O.D. X 5/8 Lg.)	24	16471	1	Dowel Pin (1/8 dia. x 1" Lg.; Taper on pin should be away from guide [Item #20].)
12	350577	1	Spring Retainer	25	251065	2	Replaceable Seat
13	200796	1	Adapter	26	251581	1	Bushing

TOP VIEW



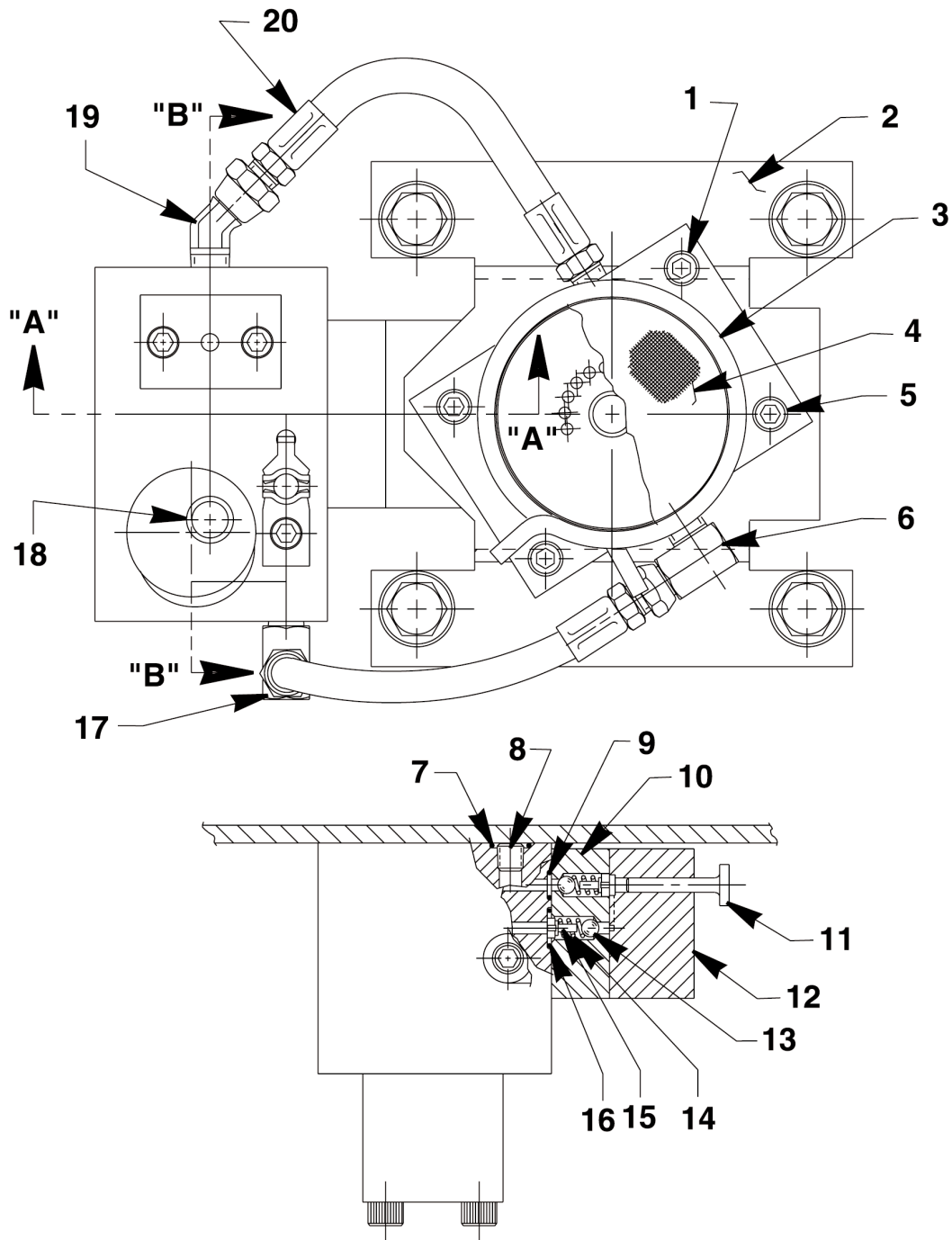
Item No.	Part No.	No. Req'd	Description
1	10177	14	Cap Screw (1/4-20 X 3/4 Lg.; Torque to 60/80 in. lbs.)
2	66684	1	Motor Control Assembly (For 115 Volt)
	66685		Motor control Assembly (For 220 Volt)
3	251599	1	Breather Filter Vent
4	203972	1	Logo CSA Decal
5	350925	1	Filler Cap
6	64677BK2	1	Handle
7	213695	1	Intermittent Duty Decal
8	9798		Coupler, Quick Male
9	9799		Dust Cap
10	10673		Fitting, (Straight 3/8 NPTF)
11	42621	1	Solenoid Valve Assembly (For 115 Volt)
	44084	1	Solenoid Valve Assembly (For 220 Volt)
12	11144	1	90° Connector
13	10856	4	Cap Screw
14	9674	1	Connector, Male (1/4" x 3/8")

Refer to any operating instructions included with this product for detailed information about operation, testing, disassembly, reassembly, and preventive maintenance.

Items found in this parts list have been carefully tested and selected. **Therefore: Use only genuine Power Team replacement parts!**

Additional questions can be directed to our Technical Services Department.

BOTTOM VIEW AND SECTION A-A

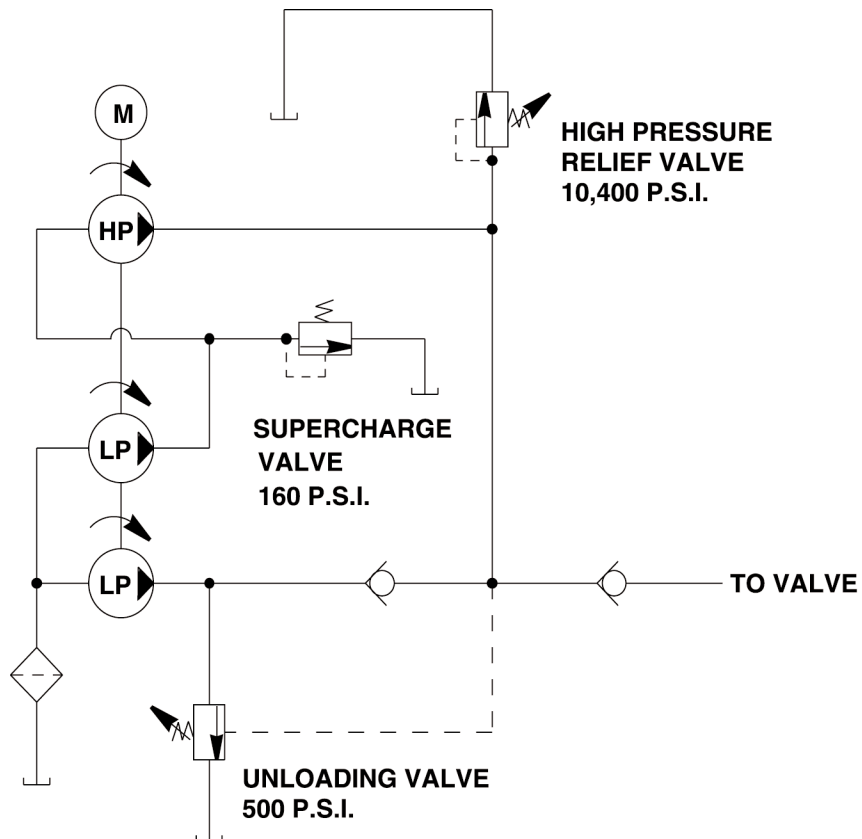


Section A-A

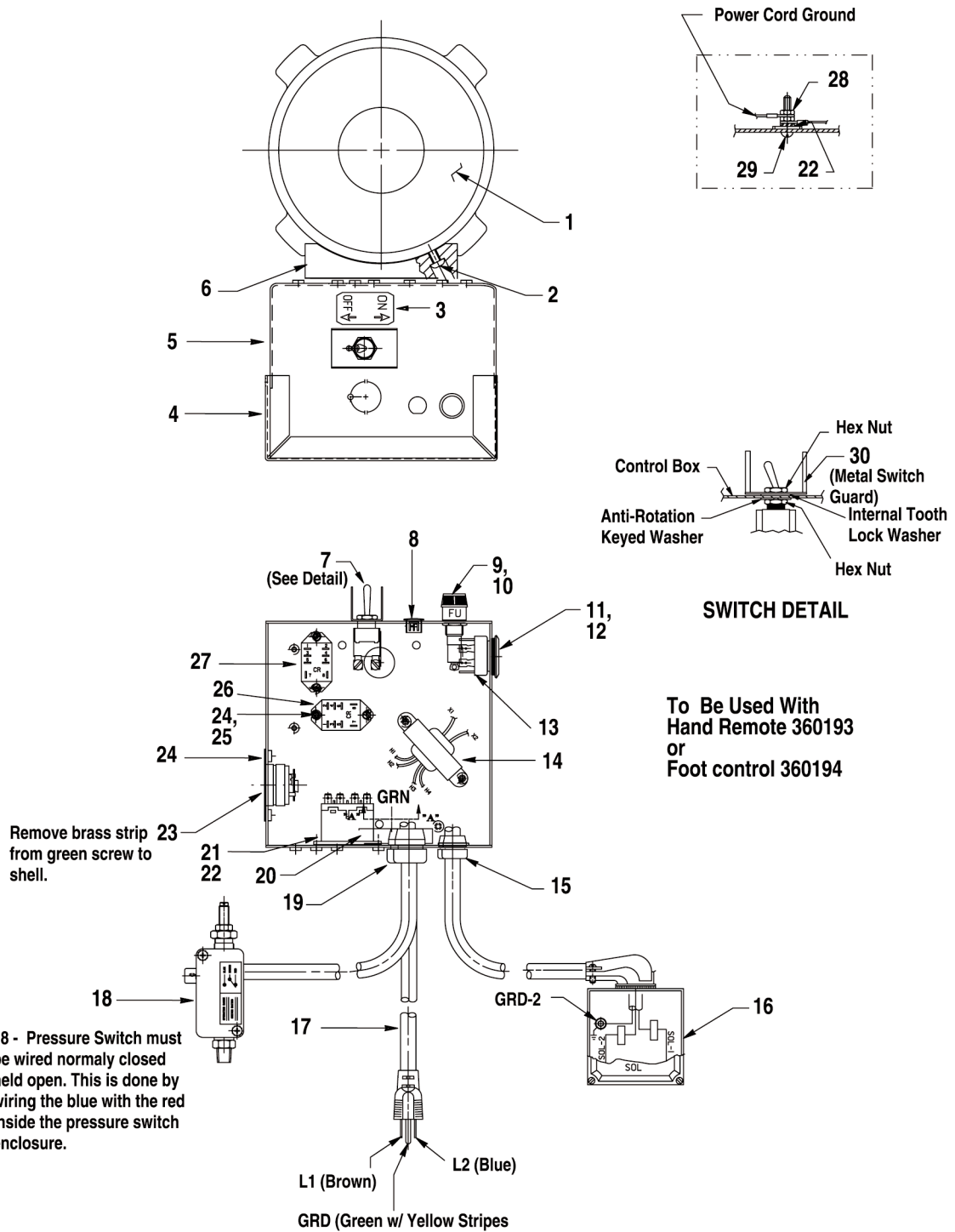
Item No.	Part No.	No. Req'd	Description
1	10022	2	Cap Screw (1/4-20 UNC X 1-1/2" Lg.; Torque to 60/80 in. lbs.)
2	58481	1	Gerotor Housing Bracket
3	11461	1	Hose Clamp
4	21608	1	Filter
5	10890	2	Cap Screw (1/4-20 X 2" Lg.; Torque to 60/80 in. lbs.)
6	14440	1	90° Elbow Fitting
7	15279	1	O-ring (1/2 X 3/8 X 1/16)
8	15130	1	Plug (1/16 NPTF)
9	10265	1	O-ring (5/16 X 3/16 X 1/16)
10	45559	1	Block
11	305526	1	High Pressure Piston
12	45866	1	Block
13	12223	2	Ball (3/16 Dia.)
14	10445	2	Compression Spring (5/32 O.D. X 3/4 Lg.)
15	24549	2	Ball Guide
16	14763	1	O-ring (7/16 X 5/16 X 1/16)
17	13229	1	Elbow
18	250630	1	Drain Tube
19	251800	1	Elbow Fitting
20	304819	2	Hose Assembly



HYDRAULIC SCHEMATIC



MOTOR & CONTROL ASSEMBLY 110/115 Volt



Parts List, Form No. 1000009, Back sheet 4 of 6

Item No.	Part No.	No. Req'd	Description	Item No.	Part No.	No. Req'd	Description
1	*420838BK2	1	Motor, Elec. (115 V., 60 HZ)	18	52203	1	Control, Pressure
2	12316	2	Screw, Pan Head (10-24 x 5/8)	19	210112	1	Bushing, Strain Relief
3	205409	1	On/Off Label Decal	20	251638	1	Relay, General Purpose
4	43126BK2	1	Control Box Cover	21	10164	2	Screw, Round Hd (10-24 x 3/8)
5	422174BK2	1	Electrical Control Box	22	11108	7	Washer, Tooth Ext (.40 x .20)
6	420962	1	Mounting Adapter	23	8-1565	1	Base, Connector
7	12301	1	Switch, Toggle	24	10159	6	Screw, Round Hd (6-32 x 5/16)
8	17782	1	Plug, Snap	25	15906	4	Washer, Tooth Ext (.31 x .15)
9	18292	1	Holder, Fuse	26	251046	1	Relay, General Purpose
10	252288	1	Fuse (15 AMP, 250V)	27	253182	1	Relay, General Purpose
11	216669BK2	1	Hole Plug	28	10197	2	Nut, Hex (10-24)
12	11010	1	Hex Machine Screw Nut	29	11856	1	Screw, Round Hd (10-24 x 1)
13	251050	1	Rectifier	30	352061	1	Metal Switch Guard
14	251049	1	Transformer				
15	15993	2	Bushing, Strain Relief				
16	42621	1	Valve, Solenoid 3 Way 115V				
17	25229	1	Cord (8' Lg, 115V, 14/3 SJTO)				

* Note: For replacement brushes, order (2) #252958.

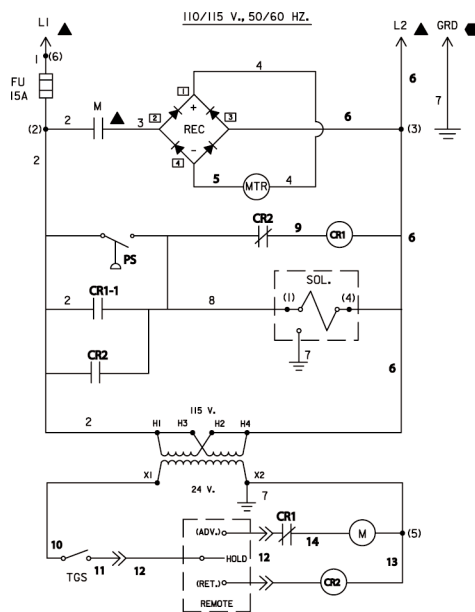


ELECTRICAL SCHEMATIC 110/115 Volt



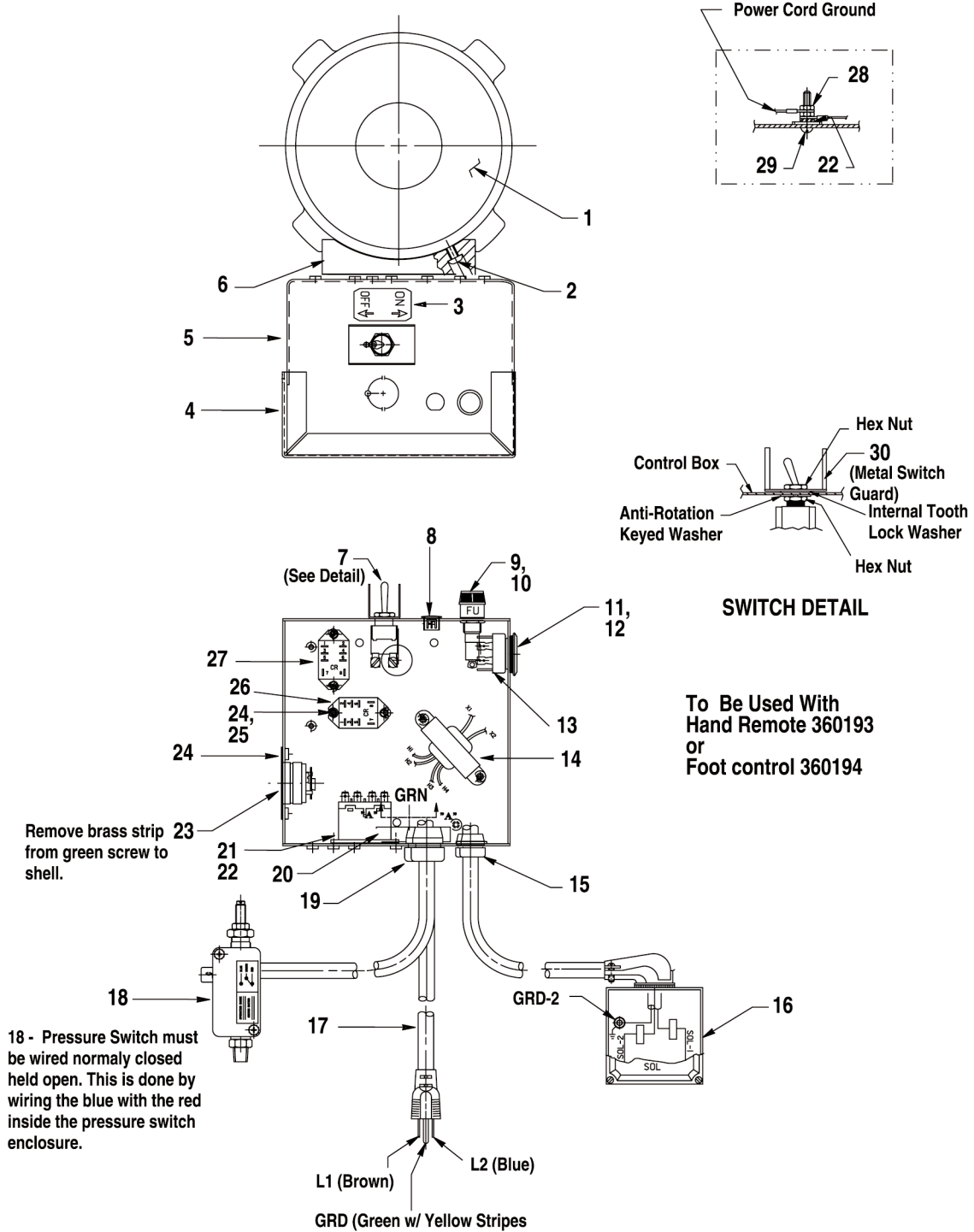
WARNING

To help avoid personal injury, all electrical work must be done by a qualified electrician.



NOTE: NO. OF HIGH POTENTIAL TEST POINTS ▲ = 3.

MOTOR & CONTROL ASSEMBLY 220/230 Volt



Parts List, Form No. 1000009, Back sheet 5 of 6

Item No.	Part No.	No. Req'd	Description	Item No.	Part No.	No. Req'd	Description
1	*420839BK2	1	Motor, Elec. (220V., 60 HZ)	18	52203	1	Control, Pressure
2	12316	2	Screw, Pan Head (10-24 x 5/8)	19	210112	1	Bushing, Strain Relief
3	205409	1	On/Off Label Decal	20	251638	1	Relay, General Purpose
4	43126BK2	1	Control Box Cover	21	10164	2	Screw, Round Hd (10-24 x 3/8)
5	422174BK2	1	Electrical Control Box	22	11108	7	Washer, Tooth Ext (.40 x .20)
6	420962	1	Mounting Adapter	23	8-1565	1	Base, Connector
7	12301	1	Switch, Toggle	24	10159	6	Screw, Round Hd (6-32 x 5/16)
8	17782	1	Plug, Snap	25	15906	4	Washer, Tooth Ext (.31 x .15)
9	18292	1	Holder, Fuse	26	2000063	1	Relay, General Purpose
10	252288	1	Fuse (15 AMP, 250V)	27	251046	1	Relay, General Purpose
11	216669BK2	1	Hole Plug	28	10197	2	Nut, Hex (10-24)
12	11010	1	Hex Machine Screw Nut	29	11856	1	Screw, Round Hd (10-24 x 1)
13	251050	1	Rectifier	30	352061	1	Metal Switch Guard
14	251049	1	Transformer				
15	15993	2	Bushing, Strain Relief				
16	44084	1	Valve, Solenoid 3 Way 220V				
17	308752	1	Cord (8' Lg, 14/3 SJTO)				

* Note: For replacement brushes, order (2) #252961.

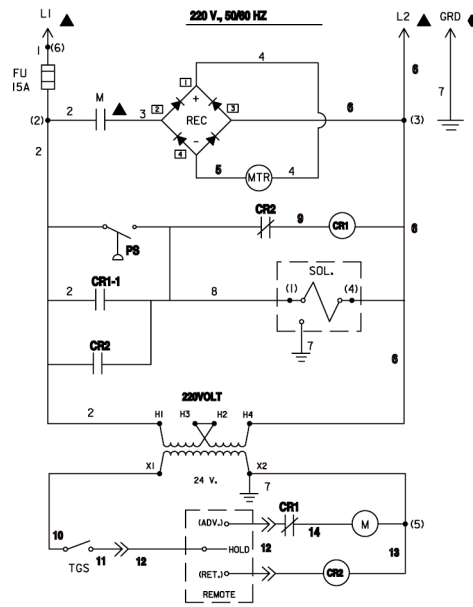


ELECTRICAL SCHEMATIC 220/230 Volt



WARNING

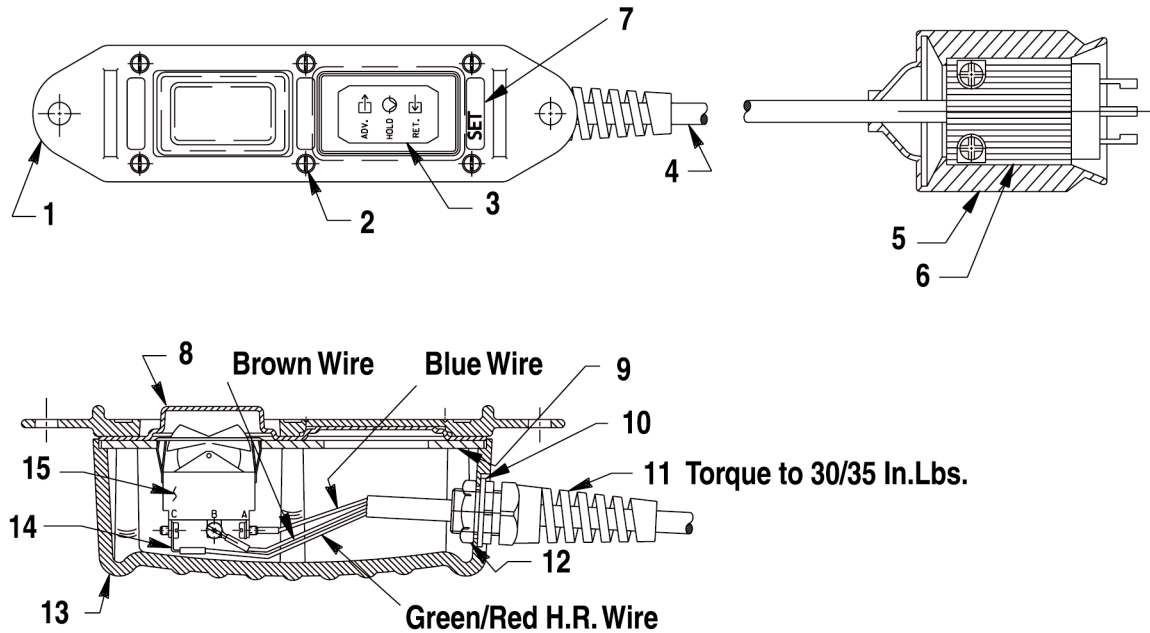
To help avoid personal injury, all electrical work must be done by a qualified electrician.



NOTE: NO. OF HIGH POTENTIAL TEST POINTS ▲ = 3.

REMOTE HAND SWITCH ASSEMBLY

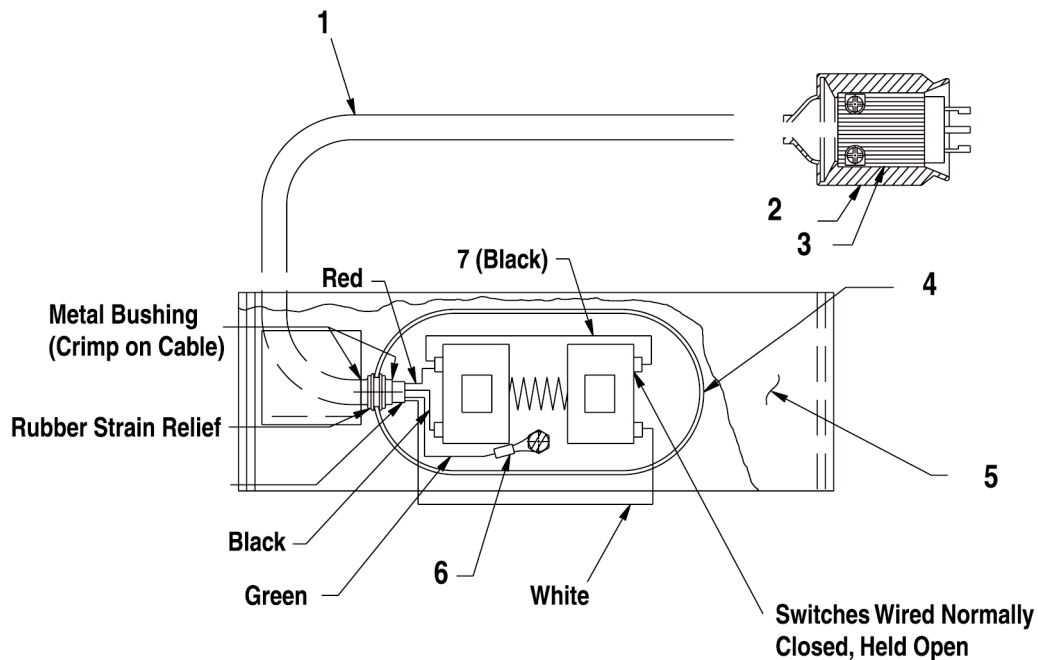
No. 360193



Item No.	Part No.	No. Req'd	Description
1	420050-1	1	Cover
2	250248	6	Screw (4-24 x 3/4 Lg.)
3	202776	1	Decal
4	12908	10 ft.	Cable (18/3 SJTO)
5	260076	1	Cover, Electrical Connector
6	250894	1	Plug, Electrical
7	252431	1	Decal, Label Set
8	420050-2	1	Gasket
9	420050-3	1	Switch Mounting Plate
10	253607	1	Rubber Seal
11	251818	1	Strain Relief Connector
12	251802	1	Locknut (3/4-16 UNF)
13	420050-4	1	Switch Housing
14	10525	3	Ring Tongue Terminal
15	16773	1	Rocker Switch

REMOTE FOOT SWITCH ASSEMBLY

No. 360194



Item No.	Part No.	No. Req'd	Description
1	11391	10 Ft.	Cable (16/3 SJTO)
2	260076	1	Electrical Connector Cover
3	250894	1	Electrical Plug
4	27627	1	Foot Switch
5	51854YE3	1	Switch Housing
6	10458	1	Ring Tanque Terminal
7	13402	1	Wire Card