

Operating Instructions for:

PE55TWP-E110  
PE55TWP-E220  
PE55TWP  
PE55TWP-220  
PE55TWP-4-E110

PE55TWP-4-E220  
PE55TWP-4  
PE55TWP-4-220  
PE55TWP-CF

## ELECTRIC HYDRAULIC PUMP 10,000 PSI



**NOTE:**

- Carefully inspect the pump upon arrival. The carrier, not the manufacturer, is responsible for any damage resulting from shipment.
- Read and carefully follow these instructions. Most problems with new equipment are caused by improper operation or installation.
- The hydraulic power unit can be ordered with "building block" flexibility. The customer can choose from a variety of motors, controls, reservoirs, and other options. Because of the many options available, these instructions will include directions for options that your particular pump may not have.
- Do not change motors without consulting the pump manufacturer's Technical Services Department.

## SAFETY PRECAUTIONS

 **WARNING: To help prevent personal injury,**

### HYDRAULIC HOSE

- Before operating the pump, all hose connections must be tightened with the proper tools. Do not overtighten. Connections should only be tightened securely and leak-free. Overtightening can cause premature thread failure or high pressure fittings to split at pressures lower than their rated capacities.
- Always shut off the electric motor before breaking any connections in the system.
- Should a hydraulic hose ever rupture, burst, or need to be disconnected, immediately shut off the pump. Never attempt to grasp a leaking pressurized hose with your hands. The force of escaping hydraulic fluid could cause serious injury.
- Do not subject the hose to potential hazard such as fire, sharp surfaces, extreme heat or cold, or heavy impact. Do not let the hose kink, twist, curl or bend so tightly that oil flow within the hose is blocked or reduced. Periodically inspect the hose for wear, because any of these conditions can damage the hose.
- Do not use the hose to move attached equipment. Stress can damage the hose, causing personal injury.
- Hose material and coupler seals must be compatible with the hydraulic fluid used. Hoses also must not come in contact with corrosive materials such as creosote-impregnated objects and some paints. Consult the manufacturer before painting a hose. Never paint the couplers. Hose deterioration due to corrosive materials can result in personal injury.

### PUMP

- Do not exceed the PSI hydraulic pressure rating noted on the pump nameplate or tamper with the internal high pressure relief valve. Creating pressure beyond rated capacities can result in personal injury.
- Before replenishing the oil level, retract the system to prevent overfilling the pump reservoir. An overfill can cause personal injury due to excess reservoir pressure created when the wrenches are retracted.

### POWER SUPPLY

- Never use an ungrounded power supply with this unit.
- The pump must be compatible with existing line voltage.
- Disconnect the pump from the power supply when performing maintenance or repair on the unit.
- If the unit's power supply is damaged or the inner wiring is exposed in any way, replace immediately.
- Any electrical work must be done by a qualified electrician.
- If the power cord is damaged or wiring is exposed, replace or repair immediately.
- Changing the voltage on the jet motor (single, or three phase) is a complicated and, if not done correctly, dangerous procedure. Consult the pump manufacturer's Technical Services Department for specific information before attempting any rewiring. Rewiring voids CSA approval.
- All voltages must be wired for CW rotation when viewed from the lead end (top) of the motor.
- Check the total amperage draw for the electrical circuit you will be using. (For example: Do not plug a motor or motors that may draw 25 amps into a 20 amp fused electrical circuit.)
- Do not attempt to increase the powerline capacity by replacing a fuse with another fuse of higher value. Overheating of the powerline and the possibility of a fire will result.
- To rewire a motor from one voltage to another or when a flow control valve is changed between manual and solenoid, consult the electrical schematic in the pump's parts list.

**Circuit Breakers:** If motor stops due to an overload or power outage,

Universal Motor: Move motor switch to OFF and control valve to neutral. Let motor cool or wait until power is restored. Reset circuit breaker switch in power panel. (The pump motor doesn't have a circuit breaker.)

Single-phase Motor: Thermal overload switch will break circuit to the motor. Move motor switch to OFF and control valve to neutral. Allow motor to cool before switching on again, or wait until power is restored.

Three-phase Motor: A magnetic starter switch breaks circuit to the motor. Move the motor switch to OFF and control valve to neutral. Remove the cover on motor control box. Let the motor cool or wait until power is restored. One of three reset buttons must be pushed in to reset motor. Replace cover.

## HYDRAULIC PUMP SET-UP PROCEDURE

### Motor Hook-up and Operation

**Universal Motor:** The universal motor is wired for 115 or 230 volts, 50/60 cycles according to the customer's request. **This motor cannot be rewired.**

## SET-UP AND OPERATION

### Filling The Reservoir

**NOTE: The pump has been shipped without oil in the reservoir. High-grade hydraulic oil has been shipped with the pump in a separate container. If additional oil is required, use a high-grade, approved hydraulic oil.**

1. Clean the area around the filler cap to remove all dust and grit. Any dirt or dust in the oil can damage the polished surfaces and precision-fit components of the pump.
2. Retract all cylinders to the return position.
3. Remove the filler cap, and insert a clean funnel and filter. Fill with hydraulic oil to 1/2" from the top of the filler hole. Replace filler cap with the breather-hole in the filler cap open.
4. Cycle the pump (with wrench attached) several times. Retract the wrench, and check the oil level in the pump reservoir again.

### Hydraulic Connections

1. Clean all the areas around the oil ports of the pump and wrench.
2. Inspect all threads and fittings for signs of wear or damage, and replace as needed.
3. Clean all hose ends, couplers or union ends.
4. Remove the thread protectors from the hydraulic oil outlets. Connect the hose assembly to the hydraulic oil outlet, and couple the hose to the wrench. Although a high-grade, non-hardening thread sealant is preferred, PTFE tape may be used to seal hydraulic connections if only one layer of tape is used. Apply carefully to prevent the tape from being pinched by the coupler and broken off inside the pipe end. Any loose pieces of tape could travel through the system and obstruct the flow of oil.

## Adjusting The Hydraulic Gauge

Locate the adjustment screw on the gauge (see Figure 1) and make adjustments as needed with a screwdriver. The adjustment screw is located on the lower right back rim of the gauge. You must reach under the portion of the shroud that the gauge is mounted in.

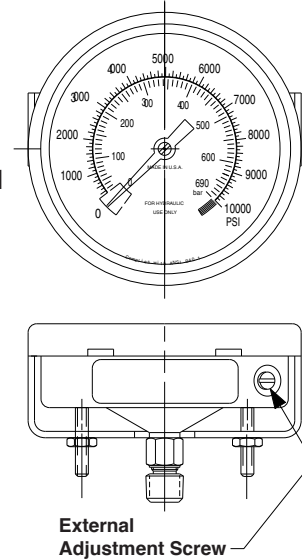


FIGURE 1

## Priming The Pump

When operating the pump for the first time:

1. Valve and hose connections must be tight, and the reservoir must be filled to the proper oil level. Start the motor.
2. Jog the pump several times to build pressure. If the pump doesn't build pressure, it may not be primed. Disconnect a hose from the system and route it back to the pump reservoir. Run the pump until a steady flow of oil is observed free of suspended air bubbles. Reconnect the hose to the system.
3. Run wrench several times to eliminate air from the system. For more complete instructions, refer to the section titled "Bleeding Air From The System."
4. The pump is ready to be put into regular operation.

**IMPORTANT:** After eliminating trapped air from a large work-holding system, retract the wrenches and refill the pump reservoir to 1/2" from the top of the filler hole.

## Adjusting The Pressure Regulating Valve

**NOTE:** For easy adjustment of the pressure regulating valve, always adjust the pressure by *increasing* to the desired pressure setting.

1. Loosen the locknut on the pressure regulating valve (C), and back the adjusting screw (B) out a few turns with a screwdriver by turning in a counterclockwise direction. This will *decrease* the setting to a lower than desired pressure.
2. The pump must be completely connected. Set the motor control toggle switch on "Run" and push the "Start" button.
3. With the screwdriver, slowly turn the adjusting screw (B) in a clockwise direction. This gradually *increases* the pressure setting. When the desired pressure is reached, lock the adjusting screw in position by tightening the locknut.

**IMPORTANT:**

- The pressure range is from 1,000 to 10,000 PSI depending on the pump model.

## PREVENTIVE MAINTENANCE



**WARNING:** To help prevent personal injury,

- Disconnect the pump from the power supply before performing maintenance or repair procedures.
- Repairs and maintenance are to be performed in a dust-free area by a qualified technician.

### Bleeding Air From The System

Air can accumulate in the hydraulic system if the reservoir oil level is too low. This air causes the wrench to respond in an unstable or slow manner. To remove the air:

1. The hydraulic wrench(s) must be positioned on their side(s) with the couplers located upward.
2. Remove any load from the wrench(s), and cycle the hydraulic system through several cycles (fully extend and retract the wrenches).

**Note: The wrench must be at a lower level than the pump to allow air to be released through the pump reservoir**

### Hydraulic Fluid Level

1. Check the oil level in the reservoir after each 10 hours of use. Proper oil level is 1/2" from the top of the fill hole when all wrenches are retracted.
2. Drain, flush, and refill the reservoir with an approved, high-grade hydraulic oil after approximately every 300 hours of use. The frequency of oil changes will depend upon the general working conditions, severity of use, and overall cleanliness and care given the pump.

### Maintenance Cleaning

1. Keep the pump's outer surface as free from dirt as possible.
2. Seal all unused couplers with thread protectors.
3. Keep all hose connections free of dirt and grime.
4. The breather-hole in the filler cap must be clean and unobstructed at all times.
5. Equipment connected to the pump must be kept clean.
6. Use only an approved, high-grade hydraulic oil in this pump. Change as recommended (every 300 hours).

## Draining And Flushing The Reservoir

**IMPORTANT:** Clean the pump exterior before the pump interior is removed from the reservoir.

1. Remove the ten screws fastening the motor and pump assembly to the reservoir. **IMPORTANT: Do not damage the gasket or bump the filter or pressure regulating valves when lifting the pump and motor off the reservoir. See Figure 2.**
2. Clean the inside of the reservoir and fill with a suitable flushing oil. Rinse the filter clean.
3. Place the pump and motor assembly back onto the reservoir, and secure with two machine screws assembled on opposite corners of the housing.

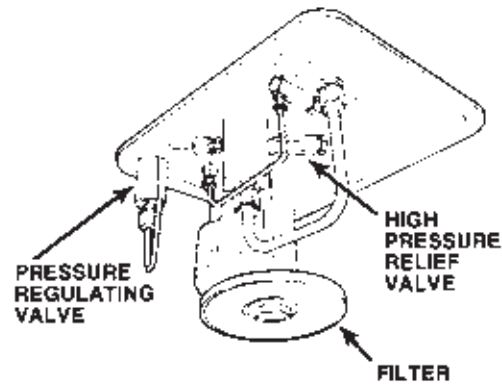


FIGURE 2

**IMPORTANT:** The hydraulic flow control valve must be in the neutral position for the following step. If the pump is equipped with a valve that has only an advance or retract position, place the valve in the advance position, and connect a hose to the advance port on the valve. Place the other end of the hose into the oil filler plug hole.

4. Run the pump for several minutes. Then disconnect the motor and pump assembly, and drain and clean the inside of the reservoir.
5. Fill the reservoir with an approved, high-grade hydraulic oil. Place the pump and motor assembly (with gasket) on the reservoir, and thread the ten screws. Tighten securely and evenly.

## Adding Oil To The Reservoir

1. Wrench must be fully retracted and the power supply disconnected when adding oil to the reservoir.
2. Clean the entire area around the filler plug before removing the filler plug.
3. Use a clean funnel with filter when adding oil.
4. Use an approved, high-grade hydraulic oil (215 SSU @ 100° F) only.

## Sound Reduction

The electrically-powered hydraulic pump operates in the 90-95 dBA range. If further sound reduction is desirable, any of the following options will help reduce the sound level.

1. Install a pressure switch. It shuts the motor off automatically when maximum pressure is reached (holding cycle).
2. Use a 3450 RPM, 1-1/2 horsepower, 115 VAC, 60 Hz, 1-phase pumping unit.
3. Use a 3450 RPM, 1-1/2 horsepower, 230 VAC, 60 Hz, 3-phase pumping unit.
4. Install casters (two gallon reservoir only) to reduce the noise level.

## Checking Brushes On Universal Motors

To help prevent premature failure of the armature, check the brushes periodically:

1. Remove the metal brush cover plates.
2. Remove the brush holder caps and brush assemblies
3. The brush assemblies must be replaced if they are 1/8" long or less. See Figure 3.
4. Install brush assemblies, brush holder caps, and metal brush cover plates.

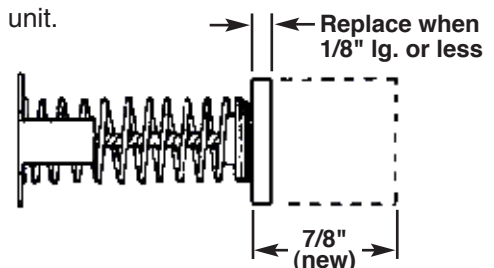
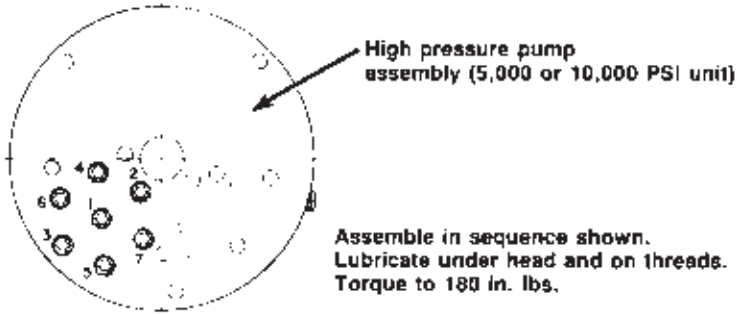


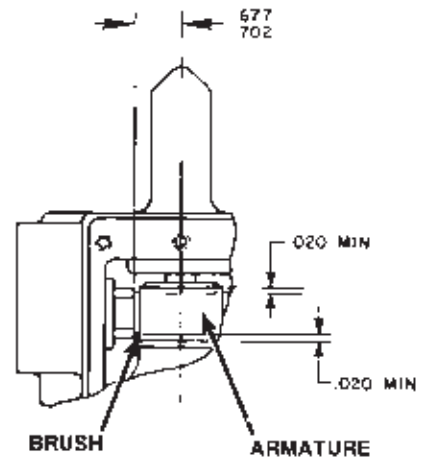
FIGURE 3

### REASSEMBLY SPECIFICATIONS

#### HIGH PRESSURE PUMP ASSEMBLY BOLT TIGHTENING SEQUENCE

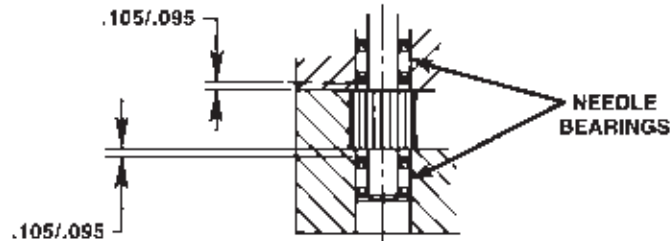


#### BRUSH HOLDER & ARMATURE INSTALLATION SPECIFICATIONS



When replacing brushes or the armature, the dimensions shown must be as specified.

#### NEEDLE BEARING INSTALLATION SPECIFICATIONS



When replacing the needle bearings on the drive gear of the basic pump, the dimensions shown must be as specified.

## TROUBLESHOOTING GUIDE


 **WARNING**

- To help prevent personal injury, any repair work or troubleshooting must be done by qualified personnel familiar with this equipment.
- Use the proper gauges and equipment when troubleshooting.

**NOTE:**

- Depending on the type of pump, it is often best to check for leaks by using a hand pump and applying pressure to the suspect area without the motor running. Watch for leaking oil and follow it back to its source.
- Plug the outlet ports of the pump when checking for leakage to determine if the leakage is in the pump or in the wrench or tool.
- Refer to the Parts List included with your particular pump when using this troubleshooting guide.

PROBLEM	CAUSE	SOLUTION
<p><b>Electric motor does not run</b></p>	<ol style="list-style-type: none"> <li>1. Pump not turned ON.</li> <li>2. Unit is not plugged in.</li> <li>3. No voltage supply.</li> <li>4. Broken lead wire or defective power cord plug.</li> <li>5. Defective switches.</li> <li>6. Defective motor.</li> <li>7. Defective starter relay.</li> <li>8. Defective remote switch.</li> <li>9. Worn brushes.</li> <li>10. Circuit breaker tripped because total amperage draw too high for existing circuit.</li> <li>11. Overheated motor (single-phase motor only). Magnetic starter disengaged (three-phase motor only). Thermal protector open.</li> <li>12. Faulty thermal protector (single-phase motor). Faulty magnetic starter (three-phase motor).</li> </ol>	<ol style="list-style-type: none"> <li>1. Flip toggle switch to "Run" position.</li> <li>2. Plug in unit.</li> <li>3. Check line voltage. Check reset button on power panel.</li> <li>4. Replace defective parts.</li> <li>5. Check switches.</li> <li>6. Repair or replace motor.</li> <li>7. Replace defective parts.</li> <li>8. Repair or replace remote switch.</li> <li>9. Replace brushes.</li> <li>10. Add an additional circuit or use alternate circuit.</li> <li>11. Wait for motor to cool before restarting. Reset thermal protector (Single-phase motor will reset automatically.)</li> <li>12. Replace.</li> </ol>

 **WARNING: To help prevent personal injury, disconnect power supply before removing cover. Any electrical work should be performed by a qualified electrician.**



<b>PROBLEM</b>	<b>CAUSE</b>	<b>SOLUTION</b>
<b>Pump is not delivering oil or delivers only enough oil to advance wrench(s) partially or erratically (continued).</b>	<ol style="list-style-type: none"> <li>1. Oil level too low.</li> <li>2. Loose-fitting coupler to wrench.</li> <li>3. Air in system.</li> <li>4. Air leak in suction line.</li> <li>5. Dirt in pump or filter plugged.</li> <li>6. Oil is bypassing through the double-acting wrench.</li> <li>7. Cold oil or oil too heavy (Hydraulic oil is of a higher viscosity than necessary).</li> <li>8. Relief valve or low pressure unloading valve out of adjustment.</li> <li>9. Reservoir capacity is too small for the size of the wrench(s) used.</li> <li>10. Defective directional valve.</li> <li>11. Sheared drive shaft key(s)</li> <li>12. Motor rotating in wrong direction.</li> <li>13. Vacuum in reservoir.</li> <li>14. Low pressure pump worn.</li> </ol>	<ol style="list-style-type: none"> <li>1. Fill reservoir to 1/2" from top of filler hole with wrench retracted.</li> <li>2. Check quick-disconnect couplings to wrench. Inspect couplers to ensure that they are completely coupled. Occasionally couplers have to be replaced because the ball check does not stay open due to wear.</li> <li>3. Bleed the system.</li> <li>4. Check and tighten suction line.</li> <li>5. Pump filter should be cleaned and, if necessary, pump should be dismantled and all parts inspected and cleaned.</li> <li>6. By removing the wrench and capping the hoses, the pump and valve can be checked. Observe if pump holds pressure.</li> <li>7. Change to a lighter oil.</li> <li>8. Adjust as needed.</li> <li>9. Use smaller wrench(s) or larger reservoir.</li> <li>10. Inspect all parts carefully and replace if necessary.</li> <li>11. Replace.</li> <li>12. 3450 RPM motor: Refer to electrical schematic on motor. 12,000 RPM motor: Reverse lead wires to brush holders. Air motor: Air line connected into wrong port.</li> <li>13. Check for plugged vent in filler plug.</li> <li>14. Remove end cap from low pressure gear pump. Clean pump, and replace worn gears, shifting spool, body or end cap.</li> </ol>

PROBLEM	CAUSE	SOLUTION
<b>Pump builds pressure but cannot maintain pressure.</b>	<ol style="list-style-type: none"> <li>1. Check to see if there are any external leaks. If no oil leakage is visible, the problem is internal. If using a double-acting wrench, remove it from the system to ensure that the leak is not in the wrench.</li> <li>2. To test for a leaking control valve, lift the pump from the reservoir but keep the filter in the oil. Remove the drain line to see if the oil is leaking from the valve. If the valve is not leaking, the internal check valve could be leaking. Refer to the note concerning checking for oil leaks at the beginning of this troubleshooting Guide.</li> <li>3. Leaking pressure switch seal.</li> </ol>	<ol style="list-style-type: none"> <li>1. Seal leaking pipe fittings with pipe sealant.</li> <li>2. Clean, reseal or replace flow control valve parts. If the internal check valve(s) are leaking, the pump must be dismantled and the seat areas repaired, poppets replaced, etc.</li> <li>3. Repair or replace seal.</li> </ol>
<b>Pump will not build full pressure.</b>	<ol style="list-style-type: none"> <li>1. Faulty pressure gauge.</li> <li>2. Check for external leakage.</li> <li>3. Check the external pressure regulator. Check the relief valve setting.</li> <li>4. Look for internal leakage in double-acting wrench.</li> <li>5. Check for leaks in the flow control valve.</li> <li>6. Inspect the pump for internal leakage. Check high pressure pump inlet or outlet ball checks.</li> </ol>	<ol style="list-style-type: none"> <li>1. Calibrate gauge.</li> <li>2. Seal faulty pipe fitting with pipe sealant.</li> <li>3. Lift the pump from the reservoir, but keep the filter immersed in oil. Note the pressure reading when the relief valve begins to open. If functioning normally, it should start to leak off at relief valve pressure.</li> <li>4. Remove the wrench from the pump. If the pump builds full pressure, the wrench is defective.</li> <li>5. Clean and reseal or replace parts.</li> <li>6. Same procedure as above, but look for leaks around the entire inner mechanism. If there are no visible leaks, the high pressure pump subassembly may be leaking. Remove all parts. Check the valve head assembly body for any damage to the seat area. Clean and reseal if necessary. Inspect for damage and replace if necessary, then reassemble.</li> </ol>

---

<b>PROBLEM</b>	<b>CAUSE</b>	<b>SOLUTION</b>
<b>Pump will not build full pressure. (Continued)</b>	7. Sheared key(s). 8. Inadequate air pressure (air motor only). 9. Shifting spool seat and/or shifting spool poppet (located under high pressure pump assembly) worn. 10. Shifting spool o-ring (located within shifting spool bore) worn or broken.	7. Replace. 8. Increase air pressure. 9. Clean and reseal or replace. 10. With an o-ring pick, remove o-ring and backup washer through low pressure pump assembly end. Replace.
<b>Wrench will not retract.</b>	1. Check the system pressure; if the pressure is zero, the control valve is releasing pressure and the problem may be in the wrench, mechanical linkage connected to wrench(s), or quick-disconnect couplings. 2. Defective valve. 3. Inadequate air pressure (air motor model only).	1. Check the wrench for broken return springs, and check couplers to ensure that they are completely coupled. Occasionally couplers have to be replaced because one check does not stay open in the coupled position. 2. Check valve operation and inspect parts. Replace if necessary. 3. Increase air pressure.
<b>Pump delivers excess oil pressure.</b>	1. Faulty pressure gauge. 2. Relief valve not properly set.	1. Calibrate gauge. 2. Adjust the relief valve.

PE55TWP-E110  
PE55TWP-E220  
PE55TWP  
PE55TWP-220

PE55TWP-4-E110  
PE55TWP-4-E220  
PE55TWP-4  
PE55TWP-4-220

## BOMBA HIDRÁULICA ELÉCTRICA 10,000 PSI



### NOTA:

- Inspeccione cuidadosamente la bomba cuando la reciba. El transportista, no el fabricante, es el responsable de cualquier daño producido durante el transporte.
- Lea y siga estrictamente estas instrucciones. La mayoría de los problemas que surgen con equipos nuevos se deben a una instalación o uso inadecuados.
- La unidad de potencia hidráulica puede solicitarse con flexibilidad de "unidad modular". El cliente puede elegir entre una variedad de motores, controles, depósitos y otras opciones. A causa de las muchas opciones disponibles, estas instrucciones pueden incluir información sobre opciones que su bomba concreta no incluya.
- No cambie los motores sin consultar antes al departamento de servicio técnico del fabricante.

## PRECAUCIONES DE SEGURIDAD



**ADVERTENCIA:** instrucciones para evitar lesiones personales.

### MANGUERA HIDRÁULICA

- Antes de poner en marcha la bomba, todas las conexiones de las mangueras se deben apretar con las herramientas adecuadas. No apriete demasiado las conexiones. Deben apretarse sólo lo suficiente para que estén seguras y no presenten fugas. Un par de apriete excesivo puede causar el deterioro prematuro de la rosca o que los empalmes de alta presión se partan cuando la bomba funcione a presiones inferiores a su capacidad nominal.
- Apague siempre el motor eléctrico antes de soltar cualquier conexión del sistema.
- En caso de que una manguera hidráulica se rompa, estalle o tenga que desconectarse, apague inmediatamente la bomba. Nunca sujete con las manos una manguera presurizada que presente fugas. La fuerza del fluido hidráulico que sale por la fuga podría provocar graves lesiones.
- No someta la manguera a peligros como puede ser el fuego, calor o frío excesivos, superficies afiladas o golpes fuertes. No permita que la manguera se curve, retuerza ni doble de forma tal que el flujo de aceite se bloquee o reduzca. Inspeccione periódicamente la manguera para comprobar si presenta signos de desgaste, porque cualquiera de estas condiciones puede dañar la manguera.
- No utilice la manguera para mover los equipos conectados. La tensión podría dañarla y, como consecuencia, provocar lesiones graves.
- El material de las mangueras y las juntas de acoplamiento deben ser compatibles con el fluido hidráulico utilizado. Las mangueras no deben entrar en contacto con materiales corrosivos, como objetos impregnados en creosota y algunas pinturas. Antes de pintar las mangueras, consulte al fabricante. Nunca pinte los acoplamientos. El deterioro de la manguera debido a la utilización de materiales corrosivos puede provocar lesiones personales.

### BOMBA

- No exceda la presión hidráulica (psi) indicada en la placa de identificación de la bomba ni fuerce la válvula de descarga de alta presión interna. Utilizar una presión superior a la capacidad nominal puede provocar lesiones personales.
- Antes de rellenar el nivel de aceite, detenga el sistema para impedir que el depósito de la bomba se llene excesivamente. Una carga excesiva de aceite podría provocar lesiones personales debido al exceso de presión del depósito que se crea cuando se retraen las llaves.

### SUMINISTRO ELÉCTRICO

- Nunca utilice con esta unidad una toma de alimentación eléctrica sin puesta a tierra.
- La bomba debe ser compatible con la tensión de la línea existente.
- Desconecte la bomba de la alimentación eléctrica antes de realizar cualquier tarea de mantenimiento o reparación en la unidad.
- Si el cable de alimentación de la unidad está dañado o el aislamiento es defectuoso, cámbielo inmediatamente.
- Todos los trabajos eléctricos debe realizarlos un electricista cualificado.
- Si el cable de alimentación está dañado o el aislamiento es defectuoso, cambie o repare el cable inmediatamente.
- Cambiar la tensión del motor a reacción (monofásico o trifásico) es un procedimiento complicado que puede resultar peligroso si no se realiza correctamente. Consulte al departamento de servicio técnico del fabricante de la bomba para obtener información específica antes de modificar la instalación eléctrica. Modificar la instalación eléctrica anula la aprobación de la CSA.
- Todas las tensiones deben cablearse para la rotación en el sentido de las agujas del reloj vista desde el extremo superior del motor.
- Revise el consumo de amperaje total del circuito eléctrico que vaya a utilizar. (Por ejemplo: no conecte un motor que consuma 25 amperios a un circuito eléctrico de 20 amperios protegido con fusibles.)
- No intente aumentar la capacidad de la línea eléctrica cambiando un fusible por otro de valor superior. Podría producirse un sobrecalentamiento de la línea eléctrica o un incendio.
- Para cambiar la tensión de un motor o el tipo de válvula de control del flujo entre manual y solenoide, consulte el esquema eléctrico en la lista de piezas de la bomba.

**Disyuntores:** si el motor se detiene a causa de una sobrecarga o corte eléctrico:

Motor universal: coloque el interruptor del motor en la posición OFF (apagado) y la válvula de control en la posición neutra. Deje enfriarse el motor o espere hasta que se reanude el suministro eléctrico. Vuelva a activar el interruptor del disyuntor del cuadro eléctrico. (El motor de la bomba no dispone de disyuntor.)

Motor monofásico: el interruptor de sobrecarga térmica interrumpirá el circuito de alimentación del motor. Coloque el interruptor del motor en la posición OFF (apagado) y la válvula de control en la posición neutra. Deje que se enfríe el motor antes de volver a encenderlo o espere a que se reanude el suministro eléctrico.

Motor trifásico: un interruptor de arranque magnético interrumpe el circuito de entrada de alimentación al motor. Coloque el interruptor del motor en la posición OFF (apagado) y la válvula de control en la posición neutra. Retire la cubierta de la caja de control del motor. Deje enfriarse el motor o espere hasta que se reanude el suministro eléctrico. Para volver a activar el motor debe pulsarse uno de los tres botones. Vuelva a colocar la cubierta.

## PROCEDIMIENTO DE CONFIGURACIÓN DE LA BOMBA HIDRÁULICA

### Conexión y funcionamiento del motor

**Motor universal:** el motor universal está preparado para 115 o 230 V, 50/60 Hz, según la solicitud del cliente. **La instalación eléctrica de este motor no puede modificarse.**

## INSTALACIÓN Y FUNCIONAMIENTO

### Carga del depósito

**NOTA:** la bomba se entrega sin aceite en el depósito. Junto con ella se suministra un aceite hidráulico de altas prestaciones en un contenedor independiente. Si es necesario rellenar el nivel, utilice aceite hidráulico homologado de altas prestaciones.

1. Limpie el área que rodea el tapón de la boca de llenado para quitar el polvo y la suciedad. La presencia de suciedad o polvo en el aceite podría dañar las superficies pulidas y los componentes de ajuste de precisión de esta bomba.
2. Retraiga todos los cilindros a la posición de retorno.
3. Quite el tapón de rellenado e inserte un embudo limpio y un filtro. Vierta aceite hidráulico hasta 1,25 cm por debajo de la parte superior de la boca de llenado. Vuelva a colocar el tapón de la boca con el orificio del respiradero del tapón abierto.
4. Accione la bomba (con la llave instalada) varias veces. Retraiga las llaves y revise de nuevo el nivel del aceite en el depósito de la bomba.

### Conexiones hidráulicas

1. Limpie todas las zonas que rodean los orificios de paso del aceite de la bomba y la llave.
2. Inspeccione las roscas y los empalmes para comprobar que no presentan signos de desgaste ni daños y sustitúyalos en caso necesario.
3. Limpie todos los extremos, acoplamientos y uniones de las mangueras.
4. Retire los protectores de rosca de las salidas del aceite hidráulico. Conecte el conjunto de la manguera a la salida del aceite hidráulico y acople la manguera a la llave. Aunque es preferible utilizar un sellador de roscas de alta calidad que no se endurezca, para sellar las conexiones hidráulicas se puede utilizar cinta de PTFE si sólo se usa una capa de cinta. Coloque la cinta con cuidado, para evitar que el acoplamiento perfora la cinta y ésta se rompa dentro del tubo. Los trozos de cinta podrían circular por el sistema y obstruir el flujo de aceite.

### Ajuste del manómetro hidráulico

Localice el tornillo de ajuste del manómetro (véase la figura 1) y realice los ajustes necesarios con un destornillador. El tornillo de ajuste se encuentra en la parte inferior derecha del marco del manómetro. Deberá tener acceso a la parte inferior de la carcasa en la que va montado el manómetro.

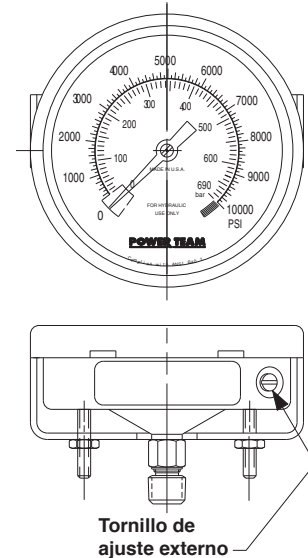


FIGURA 1

### Cebado de la bomba

1. Al poner en marcha la bomba por primera vez:
2. Las conexiones de válvulas y mangueras deben ser seguras y el depósito debe estar cargado con la cantidad de aceite adecuada. Ponga en marcha el motor.
3. Accione la bomba varias veces para acumular presión. Si la bomba no genera presión, puede que no esté cebada. Desconecte una manguera del sistema y conéctela al depósito de la bomba. Haga funcionar la bomba hasta que se obtenga un flujo continuo de aceite que no tenga burbujas de aire en suspensión. Vuelva a conectar la manguera al sistema.
4. Accione la llave varias veces para expulsar el aire del sistema. Si desea instrucciones más detalladas, consulte el apartado "Extracción del aire del sistema".

La bomba estará lista para entrar en servicio normal.

**IMPORTANTE:** después de purgar el aire atrapado en un sistema extenso, retraiga las llaves y rellene el aceite del depósito de la bomba hasta 1,25 cm por debajo de la parte superior de la boca de llenado.

### Ajuste de la válvula reguladora de la presión

**NOTA:** para ajustar fácilmente la válvula reguladora de presión, ajuste siempre la presión aumentándola hasta el valor deseado.

1. Afloje la tuerca de fijación de la válvula reguladora (C) y afloje el tornillo de ajuste (B) unas pocas vueltas con un destornillador, girándolo en sentido contrario al de las agujas del reloj. Así se reducirá el ajuste a un valor de presión inferior al deseado.
2. La bomba debe estar completamente conectada. Coloque el interruptor de control del motor en la posición de funcionamiento ("Run") y pulse el botón de arranque ("Start").
3. Con el destornillador, gire lentamente el tornillo de ajuste (B) en el sentido de las agujas del reloj. De esta manera se irá aumentando gradualmente el ajuste de la presión. Cuando se alcance la presión deseada, bloquee el tornillo de ajuste en la posición correcta apretando la tuerca de fijación.

### IMPORTANTE:

- El intervalo de presión oscila entre 1.000 y 10.000 psi, dependiendo del modelo de la bomba.

## MANTENIMIENTO PREVENTIVO



**ADVERTENCIA:** instrucciones para evitar lesiones personales.

- **Desconecte la bomba de la alimentación eléctrica antes de realizar cualquier tarea de mantenimiento o reparación.**
- **Las tareas de mantenimiento y reparación deben ser realizadas por técnicos cualificados en una zona limpia.**

### Extracción del aire del sistema

Si el nivel de aceite del depósito es demasiado bajo, puede acumularse aire en el sistema hidráulico. Este hecho provoca que la llave responda de manera inestable y lenta. Para extraer el aire:

1. Las llaves hidráulicas deben colocarse sobre uno de sus lados con los acoplamientos orientados hacia arriba.
2. Retire todas las cargas de las llaves y accione el sistema hidráulico para que realice varios ciclos (extienda y retraiga totalmente las llaves).

**Nota: la llave debe estar a una altura inferior a la de la bomba para dejar salir el aire por el depósito de la bomba.**

### Nivel del líquido hidráulico

1. Compruebe el nivel de aceite del depósito cada 10 horas de uso. El nivel adecuado de aceite está en 1,25 cm por debajo de la parte superior de la boca de llenado cuando todas las llaves están retraídas.
2. Vacíe, limpie y vuelva a llenar el depósito con aceite hidráulico homologado de alta calidad cada 300 horas de uso. La frecuencia con que se debe cambiar el aceite depende de las condiciones de servicio generales, la intensidad del uso y la limpieza general y los cuidados dedicados a la bomba.

### Limpieza de mantenimiento

1. Mantenga la superficie exterior de la bomba tan limpia como sea posible.
2. Selle todos los acoplamientos que no se utilizan con protectores de rosca.
3. Mantenga todas las conexiones de las mangueras totalmente limpias.
4. El respiradero de la tapa de llenado debe estar siempre limpio y sin obstrucciones.
5. Todos los equipos conectados a la bomba deben mantenerse igualmente limpios.
6. En esta bomba, utilice únicamente aceite hidráulico homologado de alta calidad. Realice los cambios de aceite según las recomendaciones (cada 300 horas de servicio).



## Vaciado y lavado del depósito

**IMPORTANTE:** limpie el exterior de la bomba antes de extraer del depósito el interior de la bomba.

1. Retire los diez tornillos que fijan el motor y el conjunto de la bomba al depósito. **IMPORTANTE:** cuando retire el conjunto de la bomba y el motor del depósito, procure no dañar la junta ni golpear el filtro o las válvulas reguladoras de la presión. Consulte la figura 2.

2. Limpie el interior del depósito y llénelo con un aceite de limpieza adecuado. Lave el filtro.
3. Vuelva a colocar el conjunto de la bomba y el motor sobre el depósito y fíjelo con dos tornillos maquinados colocados en esquinas opuestas del alojamiento.

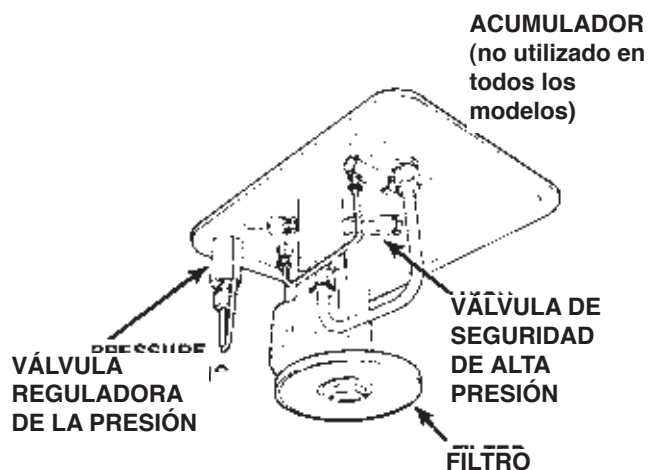


FIGURA 2

**IMPORTANTE:** para realizar el siguiente paso, la válvula de control del flujo hidráulico debe estar en posición neutra. Si la bomba está equipada con una válvula que sólo tiene las posiciones de avance o retroceso, coloque la válvula en la posición de avance y conecte una manguera en el puerto de avance de la válvula. Coloque el otro extremo de la manguera en el orificio del tapón de la boca de llenado de aceite.

4. Ponga la bomba en marcha durante varios minutos. A continuación, desconecte el conjunto de motor y bomba. Vacíe y limpie el interior del depósito.
5. Llene el depósito de aceite hidráulico homologado de altas prestaciones. Coloque el conjunto de motor y bomba (con junta) en el depósito y ponga los diez tornillos. Apriételos firme y uniformemente.

## Añadir aceite al depósito

1. Las llaves deben estar completamente retraídas y la alimentación eléctrica desconectada al añadir aceite al depósito.
2. Limpie toda el área que rodea la boca de llenado antes de quitar el tapón.
3. Utilice un embudo limpio con filtro al añadir aceite.
4. Utilice exclusivamente aceite hidráulico homologado de altas prestaciones (215 SSU a 100 °F).

## Reducción acústica

La bomba hidráulica eléctrica trabaja en un intervalo de 90-95 dBA. Si se desea una mayor reducción del sonido, cualquiera de las opciones siguientes ayudarán a reducir el nivel de ruido.

1. Instalar un presostato. Este dispositivo apaga automáticamente el motor cuando se alcanza la presión máxima (ciclo de mantenimiento).
2. Utilizar una unidad de bombeo monofásica de 3.450 rpm, 1,5 CV, 115 V CA y 60 Hz.
3. Utilizar una unidad de bombeo trifásica de 3.450 rpm, 1,5 CV, 230 V CA y 60 Hz.
4. Instalar ruedecillas (en el depósito de 7,5 litros) para reducir el nivel de ruido.

## Comprobación de las escobillas de los motores universales

Para impedir averías prematuras en el inducido, revise periódicamente las escobillas:

1. Retire las placas metálicas de cubierta de las escobillas.
2. Extraiga los tapones del portaescobillas y los conjuntos de escobillas.
3. Los conjuntos de las escobillas deben sustituirse cuando tengan un grosor de 3 mm o menos. Consulte la figura 3.
4. Instale los conjuntos de las escobillas, los tapones de los portaescobillas y las placas metálicas de cubierta de las escobillas.

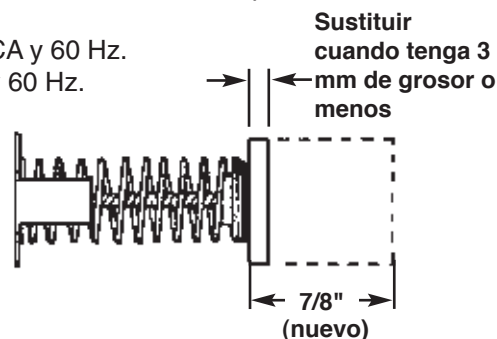
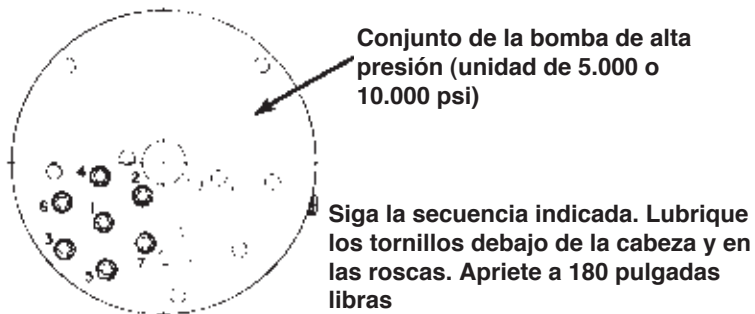


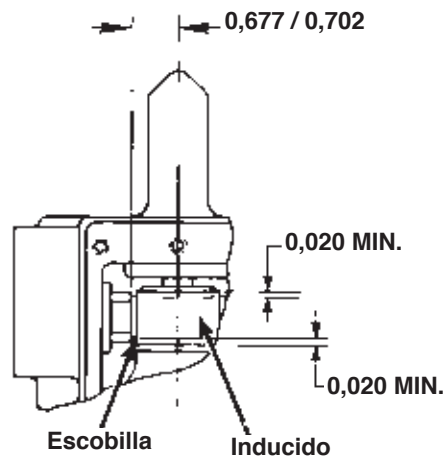
FIGURA 3

### ESPECIFICACIONES DEL MONTAJE

#### CONJUNTO DE LA BOMBA DE ALTA PRESIÓN SECUENCIA DE APRIETE DE LOS PERNOS

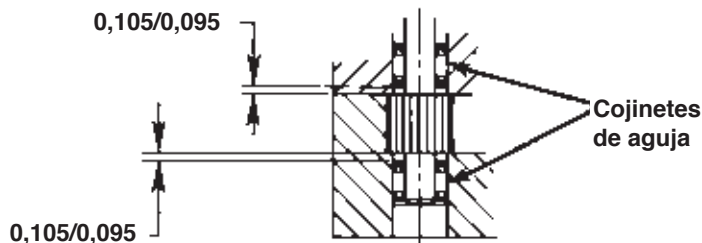


#### ESPECIFICACIONES DE INSTALACIÓN DEL PORTAESCOBILLAS Y EL INDUCIDO



Al sustituir las escobillas o el inducido, deben respetarse las dimensiones especificadas.

#### ESPECIFICACIONES DE INSTALACIÓN DE LOS COJINETES DE AGUJA



Al sustituir las escobillas o el inducido, deben respetarse las dimensiones especificadas.


## GUÍA PARA LA SOLUCIÓN DE PROBLEMAS

### ADVERTENCIA

- Para ayudar a evitar lesiones personales, cualquier trabajo de reparación o de solución de problemas debe confiarse a personal cualificado que esté familiarizado con este equipo.
- Durante la solución de problemas deberán utilizarse los medidores y equipos adecuados.

### NOTA:

- Dependiendo del tipo de bomba, generalmente es preferible comprobar las fugas utilizando una bomba manual y aplicando presión al área sospechosa cuando el motor está parado. Observe la fuga y siga su recorrido hasta encontrar el punto de origen.
- Tapone los orificios de salida de la bomba al buscar fugas para determinar si la fuga se encuentra en la bomba, en la llave o en la herramienta.
- Cuando utilice esta guía para la solución de problemas, consulte la Lista de piezas de su bomba concreta.

PROBLEMA	CAUSA	SOLUCIÓN
El motor eléctrico no funciona	1. La bomba no está encendida (ON).	1. Coloque el interruptor en la posición de funcionamiento ("Run").
	2. La unidad no está enchufada.	2. Enchufe la unidad.
 <b>ADVERTENCIA:</b> Para evitar lesiones personales, desconecte la bomba de la alimentación eléctrica antes de quitar la cubierta. Todos los trabajos eléctricos deben ser realizados por un electricista cualificado.	3. No hay suministro eléctrico.	3. Compruebe que hay tensión en la línea. Compruebe el botón del interruptor en el cuadro eléctrico.
	4. Cable roto o enchufe del cable de alimentación defectuoso.	4. Cambie las piezas defectuosas.
	5. Conmutadores defectuosos.	5. Revise los conmutadores.
	6. Motor defectuoso.	6. Repare el motor o sustitúyalo.
	7. Relé del motor de arranque defectuoso.	7. Cambie las piezas defectuosas.
	8. Conmutador remoto defectuoso.	8. Repare el interruptor remoto o sustitúyalo.
	9. Escobillas desgastadas.	9. Sustituya las escobillas.
	10 . El disyuntor se desconecta porque el consumo de amperaje total es demasiado alto para el circuito existente.	10 . Añada un circuito adicional o utilice un circuito alternativo.
	11. Motor sobrecalentado (sólo motor monofásico). Interruptor de arranque magnético desconectado (sólo motor trifásico). Protector térmico abierto.	11. Espere a que el motor se enfríe antes de arrancarlo de nuevo. Vuelva a activar el protector térmico (el motor monofásico se reactivará automáticamente)
	12. Protector térmico defectuoso (motor monofásico). Interruptor de arranque magnético defectuoso (motor trifásico).	12. Sustitúyalas.

PROBLEMA	CAUSA	SOLUCIÓN
<p><b>La bomba no suministra aceite o suministra sólo la cantidad suficiente para avanzar las llaves cilindros parcialmente o de forma irregular (continuación).</b></p>	<ol style="list-style-type: none"> <li>1. Nivel de aceite demasiado bajo.</li> <li>2. Acoplamiento de unión con la llave suelto.</li> <li>3. Aire en el sistema.</li> <li>4. Fuga de aire en la línea de aspiración.</li> <li>5. Bomba sucia o filtro obstruido.</li> <li>6. El aceite pasa por la llave de doble efecto.</li> <li>7. Aceite frío o demasiado pesado (el aceite hidráulico es de una viscosidad superior a la necesaria).</li> <li>8. Válvula de seguridad o válvula de descarga de baja presión desajustadas.</li> <li>9. El depósito es demasiado pequeño para el tamaño de las llaves usadas.</li> <li>10. Válvula direccional defectuosa.</li> <li>11. Chavetas del eje de accionamiento partidas.</li> <li>12. El motor gira en el sentido incorrecto.</li> <li>13. Se forma vacío en el depósito.</li> <li>14. Bomba de baja presión desgastada.</li> </ol>	<ol style="list-style-type: none"> <li>1. Llène el depósito hasta 1,25 cm desde la parte superior de la boca de llenado con la llave retraída.</li> <li>2. Revise los acoplamientos de desconexión rápida de las llaves. Inspeccione los acoplamientos para asegurarse de que están completamente insertados. En algunas ocasiones es necesario sustituir los acoplamientos porque la retención esférica no permanece abierta debido al desgaste.</li> <li>3. Purgue el sistema.</li> <li>4. Inspeccione y apriete la línea de aspiración.</li> <li>5. Limpie el filtro de la bomba y, si es necesario, desmonte la bomba e inspeccione y limpie todas las piezas.</li> <li>6. La bomba y la válvula pueden comprobarse quitando la llave y taponando las mangueras. Observe si la bomba mantiene la presión.</li> <li>7. Cambie el aceite por otro más ligero.</li> <li>8. Ajuste las válvulas.</li> <li>9. Utilice llaves más pequeñas o un depósito más grande.</li> <li>10. Inspeccione detenidamente todas las piezas y cámbielas si es necesario.</li> <li>11. Sustitúyalas.</li> <li>12. Motor de 3450 rpm: consulte el esquema eléctrico del motor. Motor de 12.000 rpm: Invierta los cables conectados a los portaescobillas. Motor neumático: el tubo de suministro de aire está conectado a la conexión incorrecta.</li> <li>13. Compruebe si el respiradero del tapón de llenado está obstruido.</li> <li>14. Quite el cabezal del extremo de la bomba de engranajes de baja presión. Limpie la bomba y sustituya los engranajes, la bobina, el cuerpo o el cabezal del extremo, si están gastados.</li> </ol>

<b>PROBLEMA</b>	<b>CAUSA</b>	<b>SOLUCIÓN</b>
<b>La bomba genera presión pero no puede mantenerla.</b>	<p>1. Compruebe si existe alguna fuga externa. Si no hay fugas de aceite visibles, el problema es interno. Si utiliza una llave de doble efecto, desinstálela del sistema para asegurarse de que la fuga no se encuentra en la llave.</p> <p>2. Para probar una válvula de control con fugas, saque la bomba del depósito pero mantenga el filtro en el aceite. Quite el tubo de drenaje para comprobar si la fuga de aceite se produce por la válvula. Si la pérdida no está en la válvula, la fuga podría encontrarse en la válvula de retención interna. Consulte la nota relativa a la inspección de fugas de aceite que se encuentra al principio de esta guía para la solución de problemas.</p> <p>3. Junta del presostato con fugas.</p>	<p>1. Selle los empalmes de los tubos que presenten fugas con un sellador de tubos.</p> <p>2. Limpie, reajuste o sustituya las piezas de la válvula de control de flujo. Si la fuga se encuentra en las válvulas de retención internas, desmonte la bomba y repare las áreas de asiento, cambie las levas, etc.</p> <p>3. Repare o sustituya la junta.</p>
<b>La bomba no alcanza la máxima presión.</b>	<p>1. Manómetro defectuoso.</p> <p>2. Compruebe si hay fugas externas.</p> <p>3. Verifique el regulador de presión externo. Compruebe el ajuste de la válvula de seguridad.</p> <p>4. Revise la llave de doble efecto para comprobar si presenta fugas.</p> <p>5. Revise la válvula de control de flujo para comprobar si presenta fugas.</p> <p>6. Inspeccione la bomba para comprobar si presenta fugas internas. Revise las esferas de retención de admisión o de salida de la bomba de alta presión.</p>	<p>1. Calibre el manómetro.</p> <p>2. Selle los empalmes defectuosos de los tubos con un sellador de tubos.</p> <p>3. Saque la bomba del depósito pero mantenga el filtro sumergido en el aceite. Observe la lectura de presión cuando la válvula de seguridad comience a abrirse. Si funciona con normalidad deberá empezar a gotear a la presión de la válvula de seguridad.</p> <p>4. Retire la llave de la bomba. Si la bomba alcanza la máxima presión, la llave es defectuosa.</p> <p>5. Limpie y reajuste o sustituya las piezas.</p> <p>6. El mismo procedimiento anterior pero compruebe si hay fugas alrededor del mecanismo interior. Si no hay fugas visibles, la fuga podría encontrarse en el subconjunto de la bomba de alta presión. Desinstale todas las piezas. Revise el cuerpo del conjunto del cabezal de la válvula para comprobar si el área de asiento está dañada. Limpie y reajuste los componentes que sea necesario. Revise si hay piezas dañadas y sustitúyalas si es necesario; a continuación, vuelva a montar el conjunto.</p>

PROBLEMA	CAUSA	SOLUCIÓN
<b>La bomba no alcanza la máxima presión. (continuación)</b>	7. Chavetas partidas. 8. Presión de aire inadecuada (sólo para el motor neumático). 9. El asiento o el disco de la bobina (situados debajo del conjunto de la bomba de alta presión) está gastado. 10. La junta tórica de la bobina (situada dentro del habitáculo de la bobina) está desgastada o rota.	7. Sustitúyalas. 8. Aumente la presión del aire. 9. Limpie y reajuste o sustituya las piezas. 10. Con un extractor de juntas tóricas, retire la junta y la arandela de soporte por el conjunto del extremo de la bomba de baja presión. Sustitúyalas.
<b>La llave no se retrae.</b>	1. Compruebe la presión del sistema. Si la presión es cero, la válvula de control está liberando la presión y el problema puede estar en la llave, en la articulación mecánica conectada a las llaves o en los acoplamientos de desconexión rápida. 2. Válvula defectuosa. 3. Presión de aire inadecuada (sólo para el modelo de motor neumático).	1. Revise la llave para comprobar si los muelles de retorno están rotos. Compruebe que los acoplamientos están correctamente acoplados. En algunas ocasiones es necesario sustituir los acoplamientos porque una de las retenciones no permanece abierta en la posición de acoplamiento. 2. Compruebe que la válvula funciona correctamente e inspeccione las piezas. Cámbielas si es necesario. 3. Aumente la presión del aire.
<b>La bomba genera demasiada presión de aceite.</b>	1. Manómetro defectuoso. 2. La válvula de seguridad no está bien ajustada.	1. Calibre el manómetro. 2. Ajuste la válvula de seguridad.

PE55TWP-E110  
PE55TWP-E220  
PE55TWP  
PE55TWP-220

PE55TWP-4-E110  
PE55TWP-4-E220  
PE55TWP-4  
PE55TWP-4-220

## ELEKTRISCHE HYDRAULIKPUMPE 10,000 PSI



### HINWEIS:

- Untersuchen Sie die Pumpe unmittelbar nach ihrem Eintreffen sorgfältig. Der Spediteur, nicht der Hersteller, haftet für Transportschäden.
- Lesen Sie diese Anweisungen sorgfältig durch und befolgen Sie sie. Die meisten Probleme mit neuen Ausrüstungen werden durch eine nicht sachgemäße Bedienung oder Montage verursacht.
- Diese Hydraulikpumpen können im "Baukastenprinzip" nach individuellem Kundenwunsch zusammengestellt werden. Da dabei eine Vielzahl verschiedener Motoren, Steuerungen, Tanks usw. zur Auswahl stehen, können die folgenden Anweisungen Hinweise enthalten, die nicht auf Ihre spezielle Pumpe zutreffen.
- Der Motor darf nicht ohne vorherige Zustimmung des technischen Kundendienstes des Pumpenherstellers gewechselt werden.

## SICHERHEITSVORKEHRUNGEN



**WARNUNG:** Zur Vermeidung von Personenschäden:

### HYDRAULIKSCHLAUCH

- Vor der Inbetriebnahme der Pumpe sind alle Schlauchverbindungen mit den dafür geeigneten Werkzeugen anzuziehen. Ziehen Sie die Anschlüsse nicht zu fest an. Die Anschlüsse sollten nur sicher und leckfrei angezogen werden. Ein zu starkes Anziehen kann einen vorzeitigen Gewindedefekt verursachen oder dazu führen, dass Hochdruckarmaturen bei Drücken unterhalb ihrer Nennleistung bersten.
- Unterbrechen Sie stets die Stromzufuhr, bevor Sie Anschlüsse in der Anlage lösen.
- Sollte ein Hydraulikschlauch bersten oder reißen oder muss er abgeklemmt werden, so ist die Pumpe sofort abzustellen. Versuchen Sie niemals einen undichten, unter Druck stehenden Schlauch mit Ihren Händen festzuhalten. Die Kraft der austretenden Hydraulikflüssigkeit kann schwerwiegende Verletzungen verursachen.
- Setzen Sie den Schlauch keinen potentiellen Gefahren aus, wie z.B. Feuer, scharfkantigen Gegenständen, extremer Hitze oder Kälte oder starken Stoßeinwirkungen. Achten Sie darauf, dass der Schlauch nicht knickt, sich zusammendrehet, einrollt oder zusammenbiegt, so dass der Ölfluss innerhalb des Schlauchs blockiert oder reduziert wird. Überprüfen Sie den Schlauch regelmäßig auf Verschleiß, da die genannten Bedingungen den Schlauch beschädigen können.
- Tragen/bewegen Sie niemals die angeschlossenen Komponenten am Schlauch. Dieser kann durch die Beanspruchung beschädigt werden, wodurch es zu Personenschäden kommen kann.
- Das Schlauchmaterial und die Kupplungsdichtungen müssen mit der verwendeten Hydraulikflüssigkeit verträglich sein. Die Schläuche dürfen zudem nicht mit korrodierenden Materialien wie z.B. mit Kreosot imprägnierten Gegenständen und einigen Lacken in Kontakt kommen. Vor dem Streichen eines Schlauchs wenden Sie sich bitte an den Hersteller. Überstreichen Sie nie die Kupplungen. Eine Beschädigung der Schläuche aufgrund von korrodierenden Materialien kann zu Personenschäden führen.

### PUMPE

- Der Hydraulikdruck in PSI, der auf dem Typenschild angegeben ist, darf nicht überschritten werden. Nehmen Sie keine Manipulationen am eingebauten Hochdruckentlastungsventil vor. Werden Drücke oberhalb der Nennleistungen erzeugt, so kann dies zu Personenschäden führen.
- Fahren Sie die Zylinder der Anlage vor dem Auffüllen des Ölstands ein, um ein Überfüllen des Pumpentanks zu vermeiden. Ein zu starkes Auffüllen kann Personenschäden verursachen, wenn beim Einfahren der Drehmomentschlüsselzylinder ein zu starker Druck im Tank erzeugt wird.

### STROMVERSORGUNG

- Verwenden Sie auf keinen Fall ein nicht-geerdetes Netzkabel.
- Die Pumpe muss für die vorhandene Netzspannung ausgelegt sein.
- Unterbrechen Sie vor Beginn der Wartungs- oder Reparaturarbeiten erst die Stromversorgung der Pumpe.
- Falls das Stromzufuhrkabel der Pumpe beschädigt ist oder blanke Drähte frei liegen, ist das Kabel unverzüglich auszutauschen.
- Sämtliche Elektroarbeiten dürfen nur von einem Fachmann ausgeführt werden.
- Wenn das Stromkabel beschädigt ist oder die Drähte frei liegen, nehmen Sie sofort einen Austausch oder eine Reparatur vor.
- Eine Spannungsänderung an einem "Jet"-Motor (ein- oder dreiphasig) ist ein komplizierter, und - sofern nicht sachgerecht ausgeführt - gefährlicher Vorgang. Wenden Sie sich für nähere Informationen an den technischen Kundendienst des Herstellers, bevor Sie eine Neuverkabelung durchführen. Bei einer Neuverkabelung erlischt die CSA-Zulassung.
- Alle Kabel müssen für eine Motordrehung im Uhrzeigersinn verkabelt werden (von der Anschlussseite (Oberseite) des Motors aus betrachtet).
- Überprüfen Sie die *gesamte* Stromaufnahme des verwendeten Stromkreises. (Beispiel: Schließen Sie keine(n) Motor(en) mit einer Stromaufnahme von 25 Amp. an einen Stromkreis mit einer Sicherung für 20 Amp. an.)
- Versuchen Sie nicht, die Leistung der Stromleitung zu erhöhen, indem Sie die Sicherung durch eine stärkere Sicherung ersetzen. Dies führt zur Überhitzung der Stromleitung und zu Brand.
- Informationen bezüglich der Umverkabelung eines Motors auf eine andere Spannung oder bezüglich des Austauschs des Durchflusswächters (Wechsel von auf Hand- auf Magnetventil oder umgekehrt) entnehmen Sie bitte dem Schaltplan in der Teileliste.

**Überlastschalter:** Bei Ausfall des Motors aufgrund von Überlastung oder Stromausfall:

Universalmotor: Bringen Sie den Motorschalter in die Stellung "OFF" und das Regelventil in die Neutralstellung. Lassen Sie den Motor abkühlen bzw. warten Sie, bis die Stromversorgung wiederhergestellt ist. Stellen Sie den Überlastschalter auf der Stromkonsole zurück. (Der Pumpenmotor besitzt keinen Überlastschalter.)

Einphasen-Motor: Der thermische Überlastschalter unterbricht die Stromzufuhr zum Motor. Bringen Sie den Motorschalter in die Stellung "OFF" und das Regelventil in die Neutralstellung. Lassen Sie den Motor vor dem Einschalten abkühlen, bzw. warten Sie, bis die Stromversorgung wiederhergestellt ist.

Dreiphasen-Motor: Ein Magnetanlasserschalter unterbricht die Stromzufuhr zum Motor. Bringen Sie den Motorschalter in die Stellung "OFF" und das Regelventil in die Neutralstellung. Nehmen Sie die Abdeckung vom Motorsteuerungskasten. Lassen Sie den Motor abkühlen, bzw. warten Sie, bis die Stromversorgung wiederhergestellt ist. Zum Rücksetzen des Motors muss eine der drei Reset-Tasten gedrückt werden. Abdeckung wieder montieren.



## AUFSTELLUNG DER HYDRAULIKPUMPE

### Anschließen und Bedienung des Motors

**Universalmotor:** Der Universalmotor ist je nach Kundenwunsch für 115 oder 230 Volt (50/60 Herz) verdrahtet. **Eine Neuverdrahtung dieses Motors ist nicht möglich.**

## AUFSTELLUNG UND BEDIENUNG

### Auffüllen des Tanks

**HINWEIS:** Der Tank ist bei Lieferung nicht gefüllt. Die hochwertige Hydraulikflüssigkeit von Power Team wird zusammen mit der Pumpe in einem separaten Behälter versandt. Wenn zusätzliches Öl erforderlich ist, verwenden Sie ausschließlich Hydraulikflüssigkeiten von Power Team.

Reinigen Sie den gesamten Bereich um den Tankdeckel herum von Staub und Verunreinigungen. Schmutz oder Staub im Öl kann die polierten Oberflächen und Präzisionsteile der Pumpe beschädigen.

Fahren Sie sämtliche Zylinder ein.

Nehmen Sie den Tankdeckel ab, und führen Sie einen sauberen Trichter mit einem Filter ein. Befüllen Sie den Tank bis auf 1/2 Zoll unterhalb der Einfüllöffnung. Setzen Sie den Tankdeckel wieder auf. Achten Sie dabei darauf, dass die Entlüftungsöffnung im Deckel geöffnet ist.

Lassen Sie die Pumpe (mit angeschlossenen Drehmomentschlüsseln) einige Arbeitstakte laufen. Fahren Sie die Drehmomentschlüsselzylinder ein, und überprüfen Sie den Ölstand im Tank.

### Hydraulikanschlüsse

Reinigen Sie sämtliche Flächen ringsum die Ölanschlüsse der Pumpe und der Drehmomentschlüssel.

Überprüfen Sie sämtliche Gewinde und Anschlüsse auf Anzeichen von Verschleiß oder Beschädigungen und tauschen Sie sie gegebenenfalls aus.

Reinigen Sie alle Schlauchenden, Kupplungen oder Verschraubungen.

Entfernen Sie die Gewindeschutzkappen von den Hydraulikölausgängen. Schließen Sie den Schlauch zwischen Hydraulikölausgang und Drehmomentschlüssel an. Zur Abdichtung der Hydraulikverbindungen wird ein hochwertiges, nicht-härtendes Gewindedichtmittel empfohlen. Es kann jedoch auch PTFEband verwendet werden, wenn nur eine Schicht Band benutzt wird. Bringen Sie das Band vorsichtig an, damit es nicht von der Kupplung eingeklemmt und abgeschnitten wird und in die Anlage hineingelangt. Lose Bandstücke könnten durch die Anlage wandern und den Ölfluss behindern.

## Einstellung des Manometers

Verwenden Sie einen Schraubendreher zum Einstellen der Stellschraube am rechten unteren Rand des Manometers (Abbildung 1). Die Schraube befindet sich unter dem Bereich der Abdeckung, in der das Manometer montiert ist.

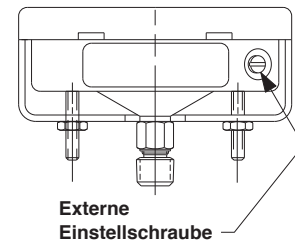
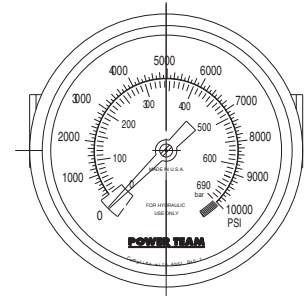


ABBILDUNG 1

## Ansaugen der Pumpe

Beim ersten Betrieb der Pumpe:

1. Alle Ventil- und Schlauchanschlüsse müssen fest angeschlossen sein und der Tank muss bis zum vorgeschriebenen Füllstand gefüllt sein. Motor anlassen.
2. Lassen Sie die Pumpe mehrere Male durchdrehen, um Druck aufzubauen. Wenn die Pumpe keinen Druck aufbaut, muss sie möglicherweise noch zum Ansaugen gebracht werden. Klemmen Sie einen Schlauch von der Anlage ab und führen Sie ihn zurück zum Pumpentank. Lassen Sie die Pumpe laufen, bis ein gleichmäßiger Ölfluss ohne Luftblasen zu sehen ist. Schließen Sie den Schlauch wieder an die Anlage an.
3. Lassen Sie den Drehmomentschlüssel einige Arbeitstakte machen, um evtl. Luft in der Anlage zu beseitigen. Detailliertere Anweisungen entnehmen Sie bitte dem Abschnitt "Entlüften der Anlage".
4. Die Pumpe ist nun einsatzbereit.

**WICHTIG: Lassen Sie die Drehmomentschlüsselzylinder nach dem Entlüften großer Anlagen einfahren und befüllen Sie den Pumpentank bis auf 1/2 Zoll unterhalb der Einfüllöffnung.**

## Einstellen des Druckreglers

**HINWEIS: Um die Einstellung des Druckreglers zu erleichtern, sollte der Druck bei der Einstellung immer auf den gewünschten Wert *erhöht* werden.**

1. Lösen Sie hierzu die Sicherungsmutter des Druckreglerventils (C) und drehen Sie die Stellschraube (B) mit einem Schraubendreher um einige Umdrehungen zurück (gegen den Uhrzeigersinn). Auf diese Weise wird die Einstellung auf einen Wert unterhalb des Sollwertes *gesenkt*.
2. Die Pumpe muss vollständig angeschlossen sein. Bringen Sie den Motorschalthebel in die Stellung "Run" und drücken Sie den Startknopf.
3. Drehen Sie die Stellschraube (B) mit einem Schraubendreher langsam im Uhrzeigersinn. Hierdurch wird die Druckeinstellung allmählich *erhöht*. Wenn die gewünschte Einstellung erreicht ist, sichern Sie die Einstellschraube mit Hilfe der Sicherungsmutter in dieser Position.

## WICHTIG:

- Der Druckbereich liegt je nach Pumpenausführung zwischen 1.000 und 10.000 PSI.

## VORBEUGENDE WARTUNG



**WARNUNG:** Zur Vermeidung von Personenschäden:

- Unterbrechen Sie vor Beginn der Wartungs- oder Reparaturarbeiten erst die Stromversorgung der Pumpe.
- Reparatur- oder Wartungsarbeiten dürfen nur von einem Fachmann und in einer staubfreien Umgebung durchgeführt werden.

### Entlüften der Anlage

Bei einem zu geringen Füllstand im Pumpentank kann sich Luft in der Anlage sammeln. Diese eingeschlossene Luft kann zu einem ruckartigen oder langsamen Betrieb des Drehmomentschlüssels führen. Zum Entlüften:

1. Den/die Drehmomentschlüssel auf die Seite legen (Kupplungen nach oben).
2. Drehmomentschlüssel lastfrei machen und die Anlage einige Arbeitstakte durchlaufen lassen (Drehmomentschlüsselzylinder vollständig aus- und einfahren).

**Hinweis:** Der Drehmomentschlüssel muss sich in einer Position unterhalb der Pumpe befinden, damit die Luft durch den Pumpentank austreten kann.

### Stand der Hydraulikflüssigkeit

1. Überprüfen Sie alle zehn Betriebsstunden den Ölstand im Tank. Der Tank muss bei eingefahrenen Drehmomentschlüsselzylindern bis auf 1/2 Zoll unterhalb der Einfüllöffnung gefüllt sein.
2. Der Tank sollte ca. alle 300 Betriebsstunden abgelassen, gespült und mit der vorgeschriebenen hochwertigen Hydraulikflüssigkeit wieder aufgefüllt werden. Wie oft das Öl gewechselt werden muss, hängt ab von den allgemeinen Arbeitsbedingungen, der Einsatzschwere und der Sauberkeit und der Art, wie mit der Pumpe umgegangen wird.

### Wartungsreinigung

1. Halten Sie die äußere Oberfläche möglichst frei von Schmutz.
2. Verschließen Sie alle nicht benutzten Kupplungen mit Gewindeschutzkappen.
3. Halten Sie alle Schlauchanschlüsse frei von Schmutz und Verunreinigungen.
4. Die Belüftungsöffnung im Tankverschluss muss stets sauber und frei sein.
5. Alle an die Pumpe angeschlossenen Komponenten müssen sauber gehalten werden.
6. Verwenden Sie nur die vorgeschriebenen hochwertigen Hydraulikflüssigkeiten. Austauschen wie empfohlen (alle 300 Betriebsstunden).

## Ablassen und Spülen des Tanks

**WICHTIG: Reinigen Sie die Pumpe von außen, bevor das Pumpeninnere vom Tank abgenommen wird.**

1. Entfernen Sie die zehn Schrauben, mit denen der Motor und die Pumpe am Tank befestigt sind.  
**WICHTIG: Achten Sie darauf, die Dichtung nicht zu beschädigen und nicht gegen das Filter oder die Druckregelventile zu stoßen, wenn Sie die Pumpe vom Tank heben. Siehe Abbildung 2.**
2. Reinigen Sie das Tankinnere und füllen Sie den Tank mit einer geeigneten Spülflüssigkeit. Spülen Sie das Filter.
3. Setzen Sie die Pumpe und den Motor wieder auf den Tank auf und sichern Sie sie mit zwei Maschinenschrauben auf den einander gegenüberliegenden Ecken des Gehäuses.

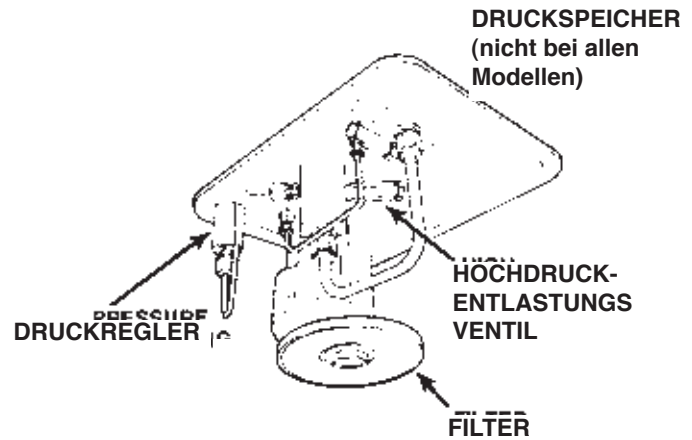


ABBILDUNG 2

**WICHTIG: Für den folgenden Schritt muss sich der Durchflusswächter in der Neutralstellung befinden.**

**Falls die Pumpe mit einem Ventil ausgestattet ist, das nur eine Vorlauf- oder Rücklaufstellung besitzt, ist das Ventil in die Vorlaufstellung zu bringen und ein Schlauch am Vorlaufanschluss des Ventils anzuschließen. Schieben Sie das andere Schlauchende in die Öleinfüllöffnung.**

4. Lassen Sie die Pumpe einige Minuten laufen. Nehmen Sie den Motor und die Pumpe wieder ab, entleeren Sie den Tank und reinigen Sie das Tankinnere.
5. Füllen Sie den Tank mit dem vorgeschriebenen Power Team-Hydrauliköl. Setzen Sie die Pumpe und den Motor (mit Dichtung) auf den Tank auf, und setzen Sie die zehn Schrauben ein. Gleichmäßig und fest anziehen.

## Auffüllen von Öl in den Tank

1. Der Drehmomentschlüsselzylinder muss vollständig eingefahren sein und der Motor muss ausgeschaltet sein, wenn Öl in den Tank nachgefüllt wird.
2. Reinigen Sie den gesamten Bereich ringsum die Einfüllöffnung, bevor Sie den Tankdeckel abnehmen.
3. Verwenden Sie zum Auffüllen einen sauberen Trichter mit Filter.
4. Verwenden Sie nur vorgeschriebenes hochwertiges Hydrauliköl (215 SUS bei 100 °F).

## Lärmschutz

Die elektrohydraulische Pumpe erzeugt im Betrieb 90-95 dBA. Zur weiteren Lärmreduzierung gibt es die folgenden Möglichkeiten:

1. Installieren Sie einen Druckschalter. Dieser schaltet den Motor automatisch ab, sobald der Höchstdruck erreicht ist (Haltetakt).
2. Verwenden Sie eine Einphasen-Pumpeneinheit mit 3450 U/min, 1-1/2 PS, 115 V Wechselstrom, 60 Hz.
3. Verwenden Sie eine Dreiphasen-Pumpeneinheit mit 3450 U/min, 1-1/2 PS, 230 V Wechselstrom, 60 Hz.
4. Montieren Sie Schwenkrollen (nur Tanks mit 2 Gallonen Inhalt) zur Lärmreduzierung.

## Kontrolle der Bürsten (Universalmotor)

Um einen vorzeitigen Ausfall des Ankers zu vermeiden, sind die Bürsten regelmäßig zu kontrollieren.

1. Entfernen Sie die Bürstenabdeckungen aus Metall.
2. Entfernen Sie die Kappen der Bürstenhalter und die Bürsteneinheiten.
3. Wenn die Länge der Bürsteneinheiten nur noch 1/8 Zoll oder weniger beträgt, sind sie auszutauschen. Siehe Abbildung 3.
4. Montieren Sie die Bürsteneinheiten, die Kappen und die Abdeckungen wieder.

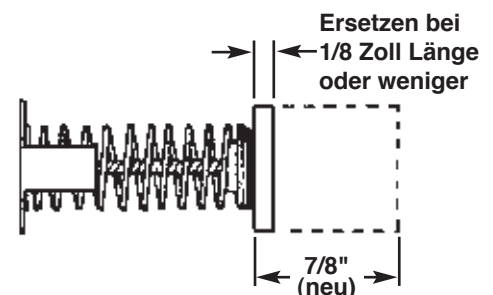
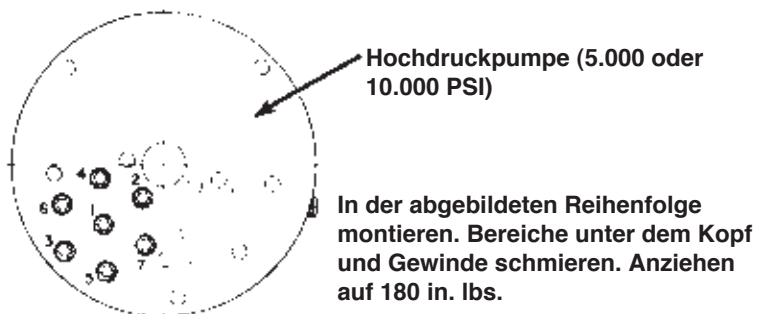
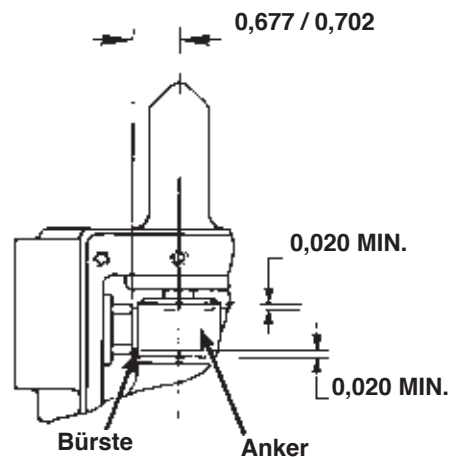


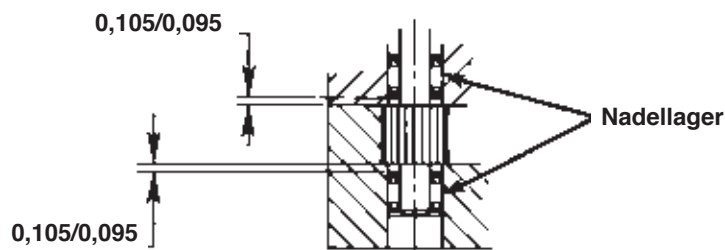
ABBILDUNG 3

## MONTAGEANWEISUNGEN

ANZUGSREIHENFOLGE  
HOCHDRUCKPUMPEMONTAGEHINWEISE  
BÜRSTENHALTER UND ANKER

Beim Austausch der Bürsten oder des Ankers müssen die in der Abbildung gezeigten Maße den vorgegebenen Werten entsprechen.

## MONTAGEHINWEISE NADELLAGER



Beim Austausch der Nadellager des Antriebsritzels der Basispumpe müssen die in der Abbildung gezeigten Maße den vorgegebenen Werten entsprechen.

## ANLEITUNG ZUR FEHLERSUCHE


### **WARNUNG**

- Um Personenschäden zu vermeiden, dürfen Reparatur- oder Fehlersucharbeiten nur von Fachpersonal ausgeführt werden, das mit diesen Anlagen vertraut ist.
- Verwenden Sie geeignete Messgeräte und Ausrüstungsgegenstände für die Fehlersuche.

### HINWEIS:

- Je nach Pumpenausführung ist es oft hilfreich, mit einer Handpumpe nach Undichtigkeiten zu suchen und die verdächtigen Bereiche mit Druck zu beaufschlagen, ohne dass der Motor läuft. Achten Sie auf austretendes Öl und verfolgen Sie es zurück bis zu seiner Quelle.
- Verschließen Sie die Auslassöffnungen der Pumpe, wenn Sie die Anlage auf Undichtigkeiten auf Lecks überprüfen, um festzustellen, ob sich das Leck in der Pumpe oder im Drehmomentschlüssel oder Werkzeug befindet.
- Ziehen Sie bei der Fehlersuche auch die Teileliste Ihrer Pumpe zu Rate.

PROBLEM	URSACHE	LÖSUNG
<b>Elektromotor läuft nicht.</b>	1. Pumpe nicht eingeschaltet. 2. Stecker der Pumpe ist nicht eingesteckt. 3. Keine Spannung vorhanden.	1. Schalter in Stellung "Run" bringen. 2. Stecker einstecken. 3. Netzspannung überprüfen. Reset-Knopf an der Stromkonsole prüfen 4. Defekte Teile austauschen.
	4. Defektes Zuleitungskabel oder defekter Netzstecker. 5. Defekte Schalter. 6. Defekter Motor. 7. Defektes Starterrelais. 8. Defekter Fernbedienungsschalter. 9. Abgenutzte Kohlebürsten. 10. Überlastschalter wurde durch zu hohe Gesamtstromentnahme für den Stromkreis ausgelöst. 11. Motor überhitzt (nur Einphasen-Motor). Magnetanlasser nicht aktiviert (nur Dreiphasen-Motor). Thermischer Überlastungsschutz aktiviert. 12. Thermischer Überlastungsschutz defekt (Einphasen-Motor). Magnetanlasser defekt (Dreiphasen-Motor).	5. Schalter überprüfen. 6. Motor reparieren oder austauschen. 7. Defekte Teile austauschen. 8. Fernbedienungsschalter reparieren oder austauschen. 9. Kohlebürsten austauschen. 10. Zusätzlichen Kreislauf oder anderen Kreislauf verwenden. 11. Vor einem Neustart warten, bis Motor abgekühlt ist. Thermischen Überlastungsschutz zurücksetzen (wird beim Einphasen-Motor nicht automatisch zurückgesetzt). 12. Austauschen.

** WARNUNG: Zur Vermeidung von Personenschäden: Unterbrechen Sie die Stromversorgung, bevor Sie die Abdeckung abnehmen. Sämtliche Elektroarbeiten dürfen nur von einem Fachmann ausgeführt werden.**

<b>PROBLEM</b>	<b>URSACHE</b>	<b>LÖSUNG</b>
<p><b>Die Pumpe fördert kein Öl oder fördert nur so viel Öl, dass der/die Drehmomentschlüsselzylinder nur teilweise oder unregelmäßig ausfährt/ausfahren (Fortsetzung).</b></p>	1. Ölstand zu niedrig.	1. Befüllen Sie den Tank bis auf 1/2 Zoll unterhalb der Einfüllöffnung (Zylinder des Drehmomentschlüssels eingefahren).
	2. Lose Anschlusskupplung am Drehmomentschlüssel.	2. Überprüfen Sie die Schnelltrennkupplungen des Drehmomentschlüssels. Überprüfen Sie die Kupplungen, um sicherzustellen, dass sie korrekt angeschlossen sind. Manchmal müssen die Kupplungen ausgetauscht werden, weil das Kugelventil aufgrund von Verschleißerscheinungen nicht geöffnet bleibt.
	3. Luft in der Anlage.	3. Entlüften Sie die Anlage.
	4. Luftleck in der Ansaugleitung.	4. Ansaugleitung überprüfen und festziehen.
	5. Schmutz in der Pumpe oder Filter verstopft.	5. Das Pumpenfilter sollte gereinigt werden und, falls erforderlich, sollte die Pumpe zerlegt und sollten alle Teile überprüft und gereinigt werden.
	6. Öl wird durch den doppelwirkenden Drehmomentschlüssel umgeleitet.	6. Trennen Sie den Drehmomentschlüssel von der Anlage und verschließen Sie die Schläuche, um die Pumpe und das Ventil zu überprüfen. Beobachten Sie, ob die Pumpe den Druck hält.
	7. Öl ist kalt oder zu schwer (höhere Viskosität als erforderlich).	7. Wechseln Sie auf leichteres Öl.
	8. Überdruckventil oder Niederdruckablassventil verstellt.	8. Wie erforderlich einstellen.
	9. Tankvolumen ist zu klein für die Größe des/der verwendeten Drehmomentschlüssel(s).	9. Kleinere(n) Drehmomentschlüssel oder größeren Tank verwenden.
	10. Defektes Wegeventil.	10. Überprüfen Sie alle Teile sorgfältig und tauschen Sie sie ggf. aus.
	11. Beschädigte(r) Antriebswellenkeil(e).	11. Austauschen.
	12. Motor dreht in falsche Richtung.	12. Motor mit 3450 U/min: Siehe Schaltplan des Motors. Motor mit 12.000 U/min: Zuleitungskabel zu den Bürstenhaltern vertauschen. Druckluftmotor: Druckluftleitung am falschen Anschluss angeschlossen.
	13. Unterdruck im Tank.	13. Überprüfen, ob die Belüftungsöffnung im Tankverschluss verstopft ist.
	14. Verschleiß der Niederdruckpumpe.	14. Endkappe der Niederdruckpumpe entfernen. Pumpe reinigen, Ritzel, Schaltspule, Gehäuse oder Endkappe bei Verschleißspuren austauschen.

<b>PROBLEM</b>	<b>URSACHE</b>	<b>LÖSUNG</b>
<b>Die Pumpe baut Druck auf, kann diesen jedoch nicht halten.</b>	<p>1. Überprüfen, ob es äußere Lecks gibt. Wenn kein Ölleck sichtbar ist, liegt das Problem im Innern. Falls Sie einen doppelwirkenden Drehmomentschlüssel verwenden, ist dieser von der Anlage zu trennen, damit sichergestellt ist, dass die Undichtigkeit nicht auf den Schlüssel zurückzuführen ist.</p> <p>2. Um das Steuerventil auf Ölaustritt zu prüfen, heben Sie die Pumpe aus dem Tank heraus, aber lassen Sie das Filter im Öl eingetaucht. Entfernen Sie die Ablassleitung um festzustellen, ob Öl aus dem Ventil austritt. Wenn das Ventil nicht undicht ist, könnte das interne Rückschlagventil undicht sein. Siehe den Hinweis zur Überprüfung auf Öllecks am Anfang dieser Hinweise zur Fehlersuche.</p> <p>3. Undichte Druckschalterdichtung.</p>	<p>1. Dichten Sie undichte Rohrarmaturen mit Rohrdichtungsmasse ab.</p> <p>2. Reinigen Sie die Teile des Durchflusswächters, schleifen Sie sie nach oder tauschen Sie sie aus. Wenn das/die interne(n) Rückschlagventil(e) undicht ist/sind, muss die Pumpe zerlegt werden und die Sitzflächen repariert, die Teller ausgetauscht werden usw.</p> <p>3. Dichtung reparieren oder austauschen.</p>
<b>Die Pumpe baut nicht den vollen Druck auf.</b>	<p>1. Manometer fehlerhaft.</p> <p>2. Überprüfen Sie die Anlage auf äußere Lecks.</p> <p>3. Externen Druckregler prüfen. Überprüfen Sie die Einstellung des Überdruckventils.</p> <p>4. Überprüfen Sie doppelwirkende Drehmomentschlüssel auf innere Undichtigkeiten.</p> <p>5. Überprüfen den Durchflusswächter auf Ölaustritt.</p> <p>6. Überprüfen Sie die Pumpe auf innere Lecks. Überprüfen Sie die Hochdruckein- und -auslassventile.</p>	<p>1. Manometer kalibrieren.</p> <p>2. Dichten Sie fehlerhafte Armaturen mit Rohrdichtungsmasse ab.</p> <p>3. Heben Sie die Pumpe aus dem Tank heraus, aber lassen Sie das Filter im Öl eingetaucht. Lesen Sie den Druckwert ab, bei dem das Entlastungsventil beginnt, zu öffnen. Wenn es normal arbeitet, sollte es bei dem für dieses Entlastungsventil geltenden Druck Öl hindurchlassen.</p> <p>4. Drehmomentschlüssel von der Pumpe trennen. Wenn die Pumpe vollen Druck aufbaut, ist der Drehmomentschlüssel defekt.</p> <p>5. Teile reinigen, nachschleifen oder austauschen.</p> <p>6. Gleiche Vorgehensweise wie oben; dabei im gesamten inneren Mechanismus nach Undichtigkeiten suchen. Wenn es keine sichtbaren Lecks gibt, kann die Hochdruckpumpe undicht sein. Entfernen Sie alle Teile. Überprüfen Sie den Ventiltelleraufbau auf evtl. Beschädigungen am Sitzbereich. Reinigen und nachschleifen, sofern erforderlich. Teile auf Beschädigungen überprüfen und gegebenenfalls austauschen; anschließend zusammensetzen.</p>



<b>PROBLEM</b>	<b>URSACHE</b>	<b>LÖSUNG</b>
<b>Die Pumpe baut nicht den vollen Druck auf. (Fortsetzung)</b>	<p>7. Keil(e) beschädigt.</p> <p>8. Luftdruck nicht ausreichend (nur Druckluftmotor).</p> <p>9. Sitz und/oder Tellerventil der Schaltspindel (unter der Hochdruckpumpeneinheit) verschlissen.</p> <p>10. O-Ring der Schaltspindel (in der Bohrung in der Schaltspule) verschlissen oder gebrochen.</p>	<p>7. Austauschen.</p> <p>8. Luftdruck erhöhen.</p> <p>9. Reinigen, nachschleifen oder austauschen.</p> <p>10. Ziehen Sie den O-Ring und die Sicherungsscheibe mit einem O-Ring-Haken durch das Ende der Niederdruckpumpeneinheit. Austauschen.</p>
<b>Drehmomentschlüsselzylinder fährt nicht ein.</b>	<p>1. Überprüfen Sie den Systemdruck. Ist kein Druck vorhanden, lässt das Steuerventil Druck ab. Das Problem liegt möglicherweise im Drehmomentschlüssel, in der mechanischen Verbindung zu dem/den Schlüssel(n) oder an den Schnellkupplungen.</p> <p>2. Defektes Ventil.</p> <p>3. Luftdruck nicht ausreichend (nur Druckluftmotor).</p>	<p>1. Überprüfen Sie den/die Drehmomentschlüssel auf gebrochene Rückholfedern und überprüfen Sie, ob die Kupplungen vollständig eingekuppelt sind. Es kann vorkommen, dass Kupplungen ausgetauscht werden müssen, weil ein Kugelventil im eingekuppelten Zustand nicht in geöffneter Position stehen bleibt.</p> <p>2. Überprüfen Sie die Ventilfunktion und überprüfen Sie die Teile. Tauschen Sie sie ggfl. aus.</p> <p>3. Luftdruck erhöhen.</p>
<b>Die Pumpe liefert zu hohen Öldruck.</b>	<p>1. Manometer fehlerhaft.</p> <p>2. Das Überdruckventil ist nicht korrekt eingestellt.</p>	<p>1. Manometer kalibrieren.</p> <p>2. Stellen Sie das Überdruckventil ein.</p>

PE55TWP-E110  
PE55TWP-E220  
PE55TWP  
PE55TWP-220

PE55TWP-4-E110  
PE55TWP-4-E220  
PE55TWP-4  
PE55TWP-4-220

## POMPE ELECTRO-HYDRAULIQUE 10,000 PSI



### REMARQUE

- Inspecter soigneusement la pompe à sa réception. Le transporteur, et non le fabricant, est responsable de tout dommage consécutif au transport.
- Lire et suivre soigneusement les présentes instructions. La plupart des problèmes afférents à un nouvel équipement sont dus à une manutention ou installation inadéquate.
- L'unité d'alimentation hydraulique peut être commandée avec la flexibilité du « bloc modulaire ». Le client a le choix entre plusieurs moteurs, commandes, réservoirs et autres options. En raison du grand nombre d'options disponibles, les présentes instructions peuvent comporter des indications pour des options qui ne concernent pas une pompe particulière du client.
- Ne pas changer les moteurs sans consulter le service technique de la société fabriquant les pompes.

## **PRÉCAUTIONS EN MATIÈRE DE SÉCURITÉ**



**AVERTISSEMENT** : Pour éviter toute blessure aux personnes :

### **FLEXIBLE HYDRAULIQUE**

- Avant de mettre la pompe en fonctionnement, serrer tous les raccords de flexibles avec les outils appropriés. Ne pas serrer exagérément. Les raccords doivent simplement être étanches et bien fixés. Un serrage exagéré peut causer une usure prématurée des filetages ou l'éclatement des raccords haute pression à des pressions inférieures à leurs capacités nominales.
- Toujours couper le moteur électrique avant de couper une quelconque connexion dans le système.
- Si un flexible hydraulique se rompt, éclate ou doit être débranché, couper immédiatement la pompe. Ne jamais saisir avec les mains un flexible hydraulique sous pression qui fuit. La force du liquide hydraulique qui fuit peut causer de graves blessures.
- Ne jamais soumettre un flexible à des risques potentiels tels flammes, bords coupants, impacts importants, chaleur ou froid excessif. Toujours veiller à ce que le flexible ne soit pas coincé, tordu, enroulé ou courbé de manière telle que le débit d'huile soit bloqué ou réduit. Inspecter régulièrement le degré d'usure du flexible car il pourrait en résulter des dommages.
- Ne pas utiliser le flexible pour déplacer un équipement qui y est raccordé. La tension peut endommager le flexible et causer des blessures aux personnes.
- Le matériau du flexible et les joints de raccord doivent être compatibles avec le liquide hydraulique utilisé. Les flexibles ne doivent pas non plus entrer en contact avec des matériaux corrosifs comme les objets imprégnés de créosote et certaines peintures. Consulter le fabricant avant de peindre un flexible. Ne jamais peindre les raccords. La détérioration d'un flexible due à des matériaux corrosifs peut causer des blessures aux personnes.

### **POMPE**

- Ne pas dépasser la pression hydraulique PSI notée sur la plaque d'identification de la pompe ou tenter de manipuler la valve de sécurité haute pression intégrée. Utiliser des pressions supérieures aux capacités nominales peut causer des blessures aux personnes.
- Rétracter le vérin avant de faire l'appoint d'huile afin d'éviter de remplir à l'excès le réservoir de la pompe. Un remplissage excessif peut causer des blessures aux personnes en raison de la surpression du réservoir créée lors de la rétraction du vérin des clés.

### **ALIMENTATION**

- Ne jamais utiliser d'alimentation non mise à la terre pour cet appareil.
- La pompe doit être compatible avec la tension du réseau.
- Débrancher la pompe de sa source d'alimentation avant d'effectuer des travaux de réparation ou d'entretien.
- Si l'alimentation de l'unité est endommagée ou si le câblage interne est dénudé d'une quelconque façon, remplacer immédiatement.
- Toute intervention sur le système électrique doit être faite par un électricien qualifié.
- Réparer ou remplacer immédiatement le cordon d'alimentation s'il est endommagé ou si les fils sont apparents.
- La modification de la tension d'alimentation du moteur (monophasé ou triphasé) est une opération requérant du savoir-faire et qui peut se révéler dangereuse si elle est mal exécutée. Consulter le service technique du fabricant pour obtenir les informations spécifiques avant toute tentative de modification du câblage. La modification du câblage annule l'agrément CSA.
- Tous les raccordements doivent être câblés dans le sens contraire des aiguilles d'une montre, vu côté câblage (sommets) du moteur.
- Vérifier la puissance en ampères totale du circuit électrique qui sera utilisé. (Exemple : Ne pas brancher de moteur(s) pouvant utiliser jusqu'à 25 ampères sur un circuit doté d'un fusible de 20 ampères.)
- Ne pas tenter d'augmenter la puissance de la ligne d'alimentation en remplaçant le fusible par un autre de puissance supérieure. Il en résulterait une surchauffe de la ligne d'alimentation et un risque d'incendie.
- Pour modifier le câblage d'un moteur d'une tension à une autre ou pour changer le type de valve de commande de débit (manuelle ou électrovalve), voir la section des schémas électriques dans la liste de pièces de la pompe.

**Coupe-circuits** : En cas d'arrêt du moteur dû à une surcharge ou coupure du réseau,

pour le moteur universel : Mettre l'interrupteur du moteur en position « OFF » et la valve en commande en position neutre.

Laisser le moteur se refroidir ou attendre le rétablissement de la tension. Remettre à zéro l'interrupteur du coupe-circuit dans le panneau de commande. (Le moteur de la pompe ne dispose pas d'un coupe-circuit)

pour le moteur monophasé : Le thermorupteur coupera le circuit vers le moteur. Mettre l'interrupteur du moteur en position « OFF » et la valve en commande en position neutre. Laisse le moteur refroidir avant de le réenclencher, ou attendre le rétablissement de la tension.

pour le moteur triphasé : Un interrupteur de démarrage magnétique coupe le circuit vers le moteur. Mettre l'interrupteur du moteur en position « OFF » et la valve en commande en position neutre. Déposer le couvercle du boîtier de commande du moteur.

Laisser le moteur se refroidir ou attendre le rétablissement de la tension. L'un des trois boutons de remise à zéro doit être enfoncé pour redémarrer le moteur. Reposer le couvercle.

**PROCÉDURE DE MONTAGE DE LA POMPE HYDRAULIQUE****Branchement et fonctionnement du moteur**

**pour le moteur universel** : Le moteur universel est câblé pour 115 ou volts, 50/60 Hz, selon la demande du client. **Le câblage de ce moteur ne peut pas être modifié.**

**INSTRUCTIONS DE MONTAGE ET DE FONCTIONNEMENT****Remplissage du réservoir**

**REMARQUE** : La pompe est expédiée sans huile dans le réservoir. L'huile hydraulique (qualité supérieure) a été envoyée avec la pompe dans un conteneur séparé. Si un supplément d'huile est nécessaire, utiliser uniquement de l'huile hydraulique préconisée, de qualité supérieure.

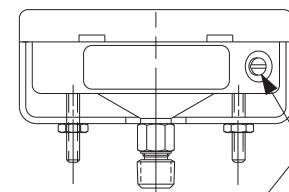
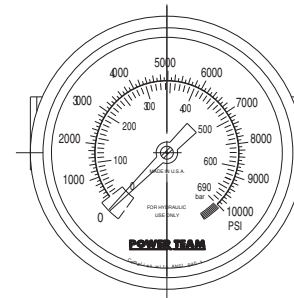
1. Nettoyer les abords du bouchon de remplissage pour enlever poussières et saletés. Toute poussière ou saleté dans l'huile peut endommager les surfaces polies et les organes de précision de la pompe.
2. Rappeler tous les vérins en position de retour.
3. Déposer le bouchon de remplissage et insérer un entonnoir propre avec un filtre. Remplir d'huile hydraulique jusqu'à 1/2" du sommet de l'orifice de remplissage. Reposer le bouchon avec l'évent ouvert.
4. Actionner la pompe (avec la clé branchée) à plusieurs reprises. Rétracter la clé et vérifier à nouveau le niveau d'huile dans le réservoir de la pompe.

**Raccordements hydrauliques**

1. Nettoyer tous les abords des orifices d'huile de la pompe et de la clé.
2. Vérifier l'état de tous les filetages et raccords, et remplacer si nécessaire.
3. Nettoyer tous les embouts de flexibles, les raccords ou raccords union.
4. Déposer la protection de filetage des sorties d'huile hydraulique. Brancher les flexibles sur les sorties d'huile hydraulique, et raccorder le flexible à la clé. Bien qu'un produit d'étanchéité de filet non durcissant, de haute qualité, soit recommandé, une bande de PTFE peut être utilisée pour étancher les raccords hydrauliques à condition de n'en mettre qu'une couche. La bande doit être appliquée soigneusement pour éviter qu'elle ne soit coincée par le raccord et qu'elle ne se rompe dans l'extrémité du tuyau. Des morceaux de bande pourraient circuler dans le système et obstruer les passages d'huile.

### Réglage du manomètre hydraulique

Repérer la vis de réglage sur le manomètre (figure 1) et procéder aux réglages voulus avec un tournevis. La vis de réglage se situe sur l'anneau arrière inférieur droit du manomètre. Il faut aller sous la partie de la protection qui abrite le manomètre.



Vis de réglage externe

**FIGURE 1**

### Amorçage de la pompe

Lors de la première mise en service de la pompe :

1. Toutes les valves et tous les raccords de flexible doivent être correctement serrés, et le réservoir rempli au niveau adéquat. Démarrer le moteur.
2. Actionner la pompe à plusieurs reprises pour faire monter la pression. Si la pompe ne fait pas monter la pression, elle se peut qu'elle ne soit pas amorcée. Débrancher un flexible du système et le dérouter vers le réservoir de la pompe. Actionner la pompe jusqu'à l'obtention d'un flux d'huile constant et exempt de bulles d'air. Brancher de nouveau le flexible sur le système.
3. Actionner la clé à plusieurs reprises pour éliminer l'air du système. Pour des instructions plus détaillées, voir la section intitulée « Purge de l'air du système ».
4. La pompe est à présent prête pour un fonctionnement normal.

**IMPORTANT : Après avoir purgé l'air emprisonné dans un système de retenue pour des travaux lourds, rétracter les clés et remplir le réservoir de la pompe jusqu'à 1/2" du sommet de l'orifice de remplissage.**

### Réglage de la valve de régulation de pression

**REMARQUE : Pour un réglage aisé de la valve de régulation de pression, toujours régler la pression en l'augmentant au réglage désiré.**

1. Desserrer le contre écrou de la valve de régulation de pression (C) et la vis de réglage (B) de quelques tours avec un tournevis, dans le sens contraire des aiguilles d'une montre. La valeur du réglage est ainsi inférieure à la pression désirée.
2. La pompe doit être complètement raccordée. Mettre l'interrupteur à bascule de la commande du moteur en position « Run » et pousser sur le bouton « Start ».
3. Avec le tournevis, tourner lentement la vis de réglage (B) dans le sens des aiguilles d'une montre. Cela augmentera graduellement le réglage de pression. Une fois la valeur désirée obtenue, bloquer la vis de réglage en position en serrant le contre écrou.

### IMPORTANT :

- La plage de pression est comprise entre 1 000 et 10 000 PSI selon le modèle de la pompe.

## ENTRETIEN PRÉVENTIF



**AVERTISSEMENT** : Pour éviter toute blessure aux personnes :

- Débrancher la pompe de l'alimentation avant d'effectuer des travaux de réparation ou d'entretien.
- Les travaux d'entretien et de réparation doivent être effectués dans un environnement sans poussière et par un technicien qualifié.

### Purge de l'air du système

De l'air peut s'accumuler dans le système hydraulique si le niveau d'huile dans le réservoir est trop faible. Cet air provoque un fonctionnement ralenti ou instable de la clé. Pour purger l'air :

1. La ou les clés hydrauliques doivent être posées sur le flanc avec les raccords vers le haut.
2. Enlever toute charge de la ou des clés, et faire fonctionner le système hydraulique plusieurs fois (avec extension et rétraction complète de la ou des clés).

**Remarque** : La clé doit être à un niveau inférieur de celui de la pompe pour permettre à l'air de s'échapper par le réservoir de la pompe.

### Niveau d'huile hydraulique

1. Vérifier le niveau d'huile du réservoir toutes les 10 heures de service. le niveau d'huile correct se situe à 1/2" du sommet de l'orifice de remplissage avec toutes les clés en position de rétraction.
2. Vidanger, nettoyer et remplir le réservoir après environ 300 heures de fonctionnement avec de l'huile hydraulique préconisée, de qualité supérieure. La fréquence du renouvellement de l'huile dépend des conditions générales de travail, de fonctionnement, de la propreté générale et de l'entretien de la pompe.

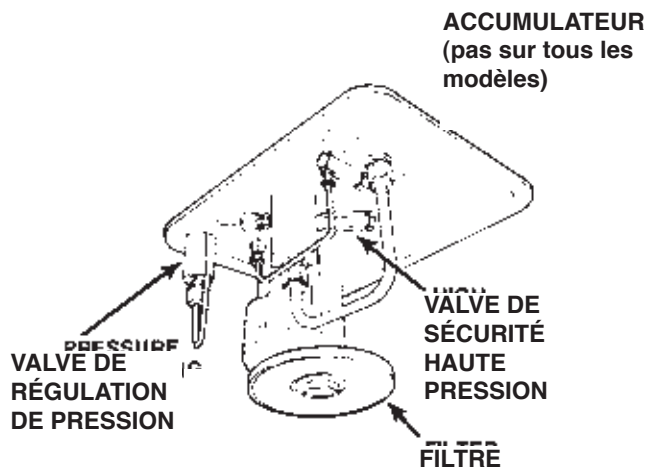
### Nettoyage de maintenance

1. Garder l'extérieur de la pompe aussi propre que possible.
2. Obturer tous les raccords non utilisés avec des protections à visser.
3. Protéger tous les raccords de flexibles des saletés et de l'encrassement.
4. Veiller à ce que l'évent du bouchon de remplissage du réservoir soit toujours propre et non obstrué.
5. L'équipement branché à la pompe doit rester propre.
6. Pour cette pompe, n'utiliser que de l'huile hydraulique agréée et de qualité supérieure. Vidanger selon la périodicité recommandée (toutes les 300 heures).

**Vidange et nettoyage du réservoir**

**IMPORTANT : Nettoyer l'extérieur de la pompe avant de déposer l'intérieur de la pompe du réservoir.**

1. Déposer les dix vis fixant le moteur et la pompe au réservoir. **IMPORTANT : Ne pas endommager le joint ni cogner le filtre ou les valves de régulation de pression en dégageant la pompe et le moteur du réservoir.** Voir la figure 2.
2. Nettoyer l'intérieur du réservoir et le remplir avec une huile adéquate. Rincer le filtre.
3. Reposer la pompe et le moteur sur le réservoir et fixer avec deux vis à métaux aux coins opposés du boîtier.



**FIGURE 2**

**IMPORTANT : La valve de commande de débit hydraulique doit être en position neutre pour l'étape suivante. Si la pompe est équipée d'une valve qui n'a qu'une position avance ou rentrée, mettre la valve en position avance et brancher un flexible à l'orifice d'avance de la valve. Raccorder l'autre extrémité de ce flexible à l'orifice du bouchon de remplissage d'huile.**

4. Actionner la pompe pendant quelques minutes. Ensuite, débrancher le moteur et la pompe, et vidanger et nettoyer l'intérieur du réservoir.
5. Remplir le réservoir d'huile hydraulique préconisée, de qualité supérieure. Poser la pompe et le moteur (avec le joint) sur le réservoir et poser les dix vis. Serrer adéquatement et uniformément.

**Appoint d'huile dans le réservoir**

1. Lors de l'appoint d'huile dans le réservoir, la ou les clés doivent être rétractées et l'alimentation coupée.
2. Nettoyer tous les abords du bouchon de remplissage avant de déposer ce dernier.
3. Faire l'appoint d'huile en utilisant un entonnoir propre avec un filtre.
4. Pour cette pompe, n'utiliser que de l'huile hydraulique agréée et de qualité supérieure (215 SSU à 100° F).

**Réduction du bruit**

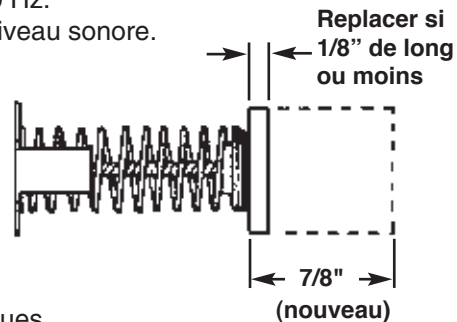
La pompe électro-hydraulique fonctionne dans une plage de 90-95 dBA. Si une réduction supplémentaire du bruit est souhaitée, on peut adopter l'une des solutions ci après :

1. Poser un pressostat. Il coupe automatiquement le moteur quand la pression maximum est atteinte (cycle de maintien).
2. Utiliser une pompe monophasée à 3 450 TR/Min, 1-1/2 Cv , 115 VCA, 60 Hz.
3. Utiliser une pompe monophasée à 3 450 TR/Min, 1-1/2 Cv , 230 VCA, 60 Hz.
4. Poser des roulettes (réservoir deux gallons uniquement) pour réduire le niveau sonore.

**Contrôle des balais des moteurs de type universel**

Vérifier les balais régulièrement pour éviter l'usure prématurée de l'induit.

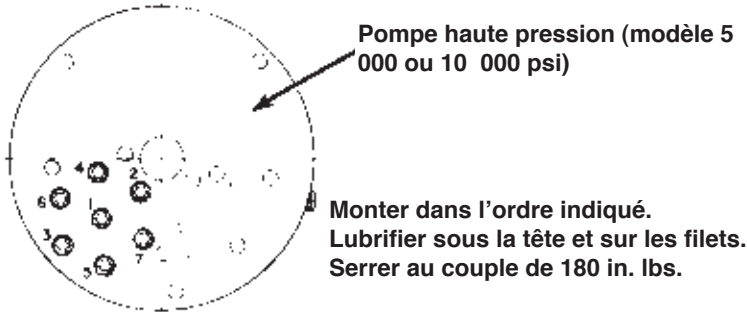
1. Déposer les protections métalliques des balais.
2. Déposer les protections du porte-balais et les balais
3. Les balais doivent être remplacés si leur longueur est égale ou inférieure à 1/8". Voir la figure 3.
4. Poser les balais, les protections du porte-balais et les protections métalliques des balais.



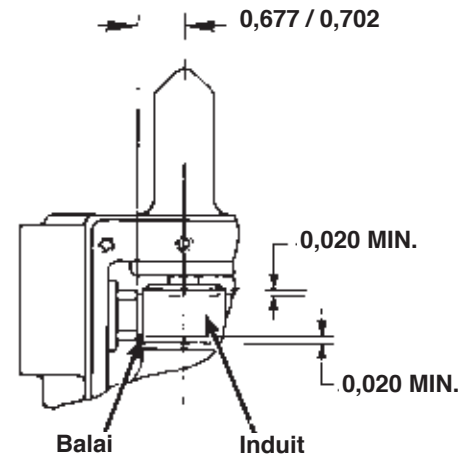
**FIGURE 3**

### SPÉCIFICATIONS POUR LE REMONTAGE

#### ORDRE DE SERRAGE DES VIS DE LA POMPE HAUTE

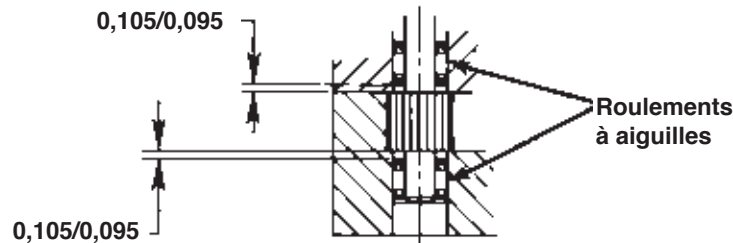


#### SPÉCIFICATIONS POUR LA POSE DU PORTE-BALAI ET DE L'INDUIT



Lors du remplacement des balais ou de l'induit, les dimensions indiquées doivent être respectées.

#### SPÉCIFICATIONS POUR LA POSE DU ROULEMENT À AIGUILLES



Lors du remplacement des roulements à aiguilles sur le pignon d'entraînement de la pompe, les dimensions indiquées doivent être respectées



## GUIDE DE DEPANNAGE


### AVERTISSEMENT

- Afin d'éviter le risque de blessures aux personnes, toute opération d'entretien ou de réparation doit être effectuée par un personnel qualifié et habitué à la manipulation de ce type d'équipement.
- Lors du dépannage, utiliser les instruments de mesure et l'équipement adéquats.

#### REMARQUE :

- Pour la détection de fuites et selon le type de pompe, il est souvent préférable d'utiliser une pompe manuelle et d'appliquer la pression à la zone suspecte avec le moteur à l'arrêt. Vérifier s'il y a une fuite d'huile et déterminer sa source.
- Obturer les orifices de sortie de la pompe lors de la recherche d'une fuite afin de déterminer si elle provient de la pompe, de la clé ou de l'outil.
- Lors de l'utilisation du présent guide de dépannage, voir la liste des pièces jointe à la pompe concernée.

PROBLÈME	CAUSE	SOLUTION
<p><b>Le moteur électrique ne fonctionne pas</b></p>	<ol style="list-style-type: none"> <li>1. La pompe n'est pas mise en marche.</li> <li>2. Appareil non branché.</li> <li>3. Pas de tension d'alimentation.</li> <li>4. Fil rompu ou cordon d'alimentation défectueux.</li> <li>5. Interrupteurs défectueux.</li> <li>6. Moteur défectueux.</li> <li>7. Relais de démarrage défectueux.</li> <li>8. Commande à distance défectueuse.</li> <li>9. Balais usés.</li> <li>10. Coupe-circuit enclenché car demande de courant trop forte pour le circuit existant.</li> <li>11. Moteur en surchauffe (moteur monophasé uniquement) Démarreur magnétique désengagé (moteur triphasé uniquement) Thermorupteur ouvert.</li> <li>12. Thermorupteur défectueux (moteur monophasé). Démarreur magnétique défectueux (moteur triphasé uniquement)</li> </ol>	<ol style="list-style-type: none"> <li>1. Mettre l'interrupteur à bascule en position « Run ».</li> <li>2. Brancher l'appareil.</li> <li>3. Vérifier la tension de ligne. Vérifier le bouton de remise à zéro du panneau d'alimentation.</li> <li>4. Remplacer les pièces défectueuses.</li> <li>5. Vérifier les interrupteurs.</li> <li>6. Remplacer ou réparer le moteur.</li> <li>7. Remplacer les pièces défectueuses.</li> <li>8. Réparer ou remplacer l'interrupteur à distance.</li> <li>9. Remplacer les balais.</li> <li>10. Ajouter un circuit ou utiliser un autre circuit.</li> <li>11. Attendre que le moteur ait refroidi avant de redémarrer. Remettre le thermorupteur à zéro (le moteur monophasé sera automatiquement remis à zéro).</li> <li>12. Remplacer.</li> </ol>

 **AVERTISSEMENT :**  
**Pour éviter toute blessure aux personnes, débrancher l'alimentation avant de retirer le couvercle. Toute intervention sur le système électrique doit être faite par un électricien qualifié.**

PROBLÈME	CAUSE	SOLUTION
<b>Le débit de la pompe est nul ou à peine suffisant pour une avance partielle ou erratique de la ou des clés (suite).</b>	1. Niveau d'huile trop faible.	1. Remplir le réservoir d'huile hydraulique jusqu'à 1/2" du sommet de l'orifice de remplissage avec la clé en position de rétraction.
	2. Raccord lâche à la clé.	2. Vérifier les raccords rapides de la clé. S'assurer que les raccords sont bien branchés. Il est parfois nécessaire de remplacer les raccords parce que le contrôle à bille ne reste pas ouvert en raison de l'usure.
	3. Air dans le système.	3. Purger le système.
	4. Fuite d'air dans la ligne d'aspiration.	4. Vérifier et serrer la ligne d'aspiration.
	5. Saleté dans la pompe ou filtre bouché.	5. Le filtre de la pompe doit être nettoyé et, si nécessaire, la pompe doit être démontée pour une vérification et un nettoyage de tous les composants.
	6. Dérivation de l'huile par la clé double effet	6. En enlevant la clé et en obturant les flexibles, il est possible de vérifier que la pompe et la valve maintiennent la pression Vérifier si la pompe maintient la pression
	7. Huile froide ou trop lourde (l'huile hydraulique est d'une viscosité supérieure à ce qui est nécessaire).	7. Changer pour une huile de viscosité moindre.
	8. Valve de sécurité ou valve de décharge basse pression dérégulée.	8. Régler si nécessaire.
	9. Capacité de réservoir trop faible pour la catégorie de la ou des clés utilisées.	9. Utiliser des clés de catégorie inférieure ou un plus grand réservoir.
	10. Valve directionnelle défectueuse.	10. Vérifier soigneusement toutes les pièces et remplacer si nécessaire.
	11. Clavette(s) d'arbre cisailée(s).	11. Remplacer.
	12. Moteur tournant dans le mauvais sens.	12. Moteur 3450 tr/min. Voir le schéma électrique du moteur. Moteur 12 000 tr/min. Inverser les fils des porte-balais. Moteur pneumatique : Conduite pneumatique branchée sur le mauvais orifice.
	13. Dépression dans le réservoir.	13. Vérifier si l'évent du bouchon de remplissage n'est pas bouché.
	14. Pompe basse pression usée.	14. Déposer le bouchon de la pompe à engrenages basse pression. Nettoyer la pompe, remplacer les engrenages, le manchon, le corps ou le bouchon en cas d'usure.

PROBLÈME	CAUSE	SOLUTION
<p><b>La pompe monte en pression mais ne peut la maintenir.</b></p>	<ol style="list-style-type: none"> <li>1. Vérifier la présence de fuites externes. Si aucune fuite d'huile n'est visible, le problème est interne. En cas d'utilisation d'une clé double effet, la retirer du système pour s'assurer que la fuite n'est pas dans la clé.</li> <li>2. Pour vérifier si une valve de commande fuit, soulever la pompe du réservoir mais garder le filtre dans l'huile. Déposer la conduite de vidange pour voir si l'huile fuit de la valve. Si la valve ne fuit pas, il est possible que le clapet anti-retour interne fuie. Se reporter à la note relative à la vérification des fuites d'huile au début du présent guide de dépannage.</li> <li>3. Fuite au joint du pressostat.</li> </ol>	<ol style="list-style-type: none"> <li>1. Étancher les raccords du tuyau qui fuient avec du produit d'étanchéité pour tuyaux.</li> <li>2. Nettoyer, remettre en place ou remplacer les pièces de la valve de commande du débit. Si un ou plusieurs clapets anti-retour interne fuient, la pompe doit être démontée, les sièges réparés, les poupées remplacées, etc.</li> <li>3. Remplacer ou réparer le joint.</li> </ol>
<p><b>La pompe ne monte pas complètement en pression.</b></p>	<ol style="list-style-type: none"> <li>1. Manomètre défectueux.</li> <li>2. Vérifier l'absence de fuite externe.</li> <li>3. Vérifier le régulateur de pression externe Vérifier le réglage de la valve de sécurité.</li> <li>4. Vérifier une éventuelle fuite interne de la clé double effet.</li> <li>5. Vérifier l'absence de fuite de la valve de commande.</li> <li>6. Vérifier la pompe quant à une fuite interne. Vérifier les contrôles à bille de l'entrée ou de la sortie de la pompe haute pression.</li> </ol>	<ol style="list-style-type: none"> <li>1. Étalonner le manomètre.</li> <li>2. Étancher tout tuyau qui fuit avec du produit d'étanchéité pour tuyaux.</li> <li>3. Soulever la pompe du réservoir mais garder le filtre dans l'huile. Relever la pression quand la valve de sécurité commence à s'ouvrir. Si le fonctionnement est normal, la fuite devrait se produire à la pression de la valve de sécurité.</li> <li>4. Déposer la clé de la pompe. Si la pompe monte en pression complète, la clé est défectueuse.</li> <li>5. Nettoyer et remettre en place ou remplacer les pièces.</li> <li>6. Même procédure que ci-dessus, mais vérifier l'absence de fuites autour de tout le mécanisme interne. S'il n'y pas de fuite visible, le sous-ensemble de la pompe haute pression peut présenter des fuites. Déposer toutes les pièces. Vérifier la tête de valve quant à des dommages du siège. Nettoyer et roder si nécessaire. Vérifier quant à des dommages et remplacer si nécessaire, ensuite remonter.</li> </ol>

PROBLÈME	CAUSE	SOLUTION
<b>La pompe ne monte pas complètement en pression. (suite)</b>	7. Clé(s) cisailée(s) 8. Pression pneumatique inadéquate (moteur pneumatique uniquement) 9. Siège du manchon et/ou de sa poupée (sous la pompe haute pression) usé(e). 10. Joint torique du manchon (dans l'orifice du manchon) usé ou brisé.	7. Remplacer. 8. Augmenter la pression pneumatique. 9. Nettoyer et remettre en place ou remplacer. 10. Avec l'outil adéquat, déposer le joint torique et la rondelle d'appui par l'extrémité de la pompe basse pression. Remplacer.
<b>La clé ne se rétracte pas</b>	1. Vérifier la pression système ; si elle est nulle, la valve de commande relâche de la pression et le problème peut être dû à la clé, au branchement mécanique à la ou aux clés, ou aux raccords rapides. 2. Valve défectueuse. 3. Pression pneumatique inadéquate (moteur pneumatique uniquement)	1. Vérifier la clé quant à des ressorts de rappel brisés et vérifier le branchement correct des raccords. Il est parfois nécessaire de remplacer les raccords parce qu'un contrôle à bille ne reste pas ouvert en position de branchement. 2. Vérifier le fonctionnement de la valve et les pièces. Remplacer si nécessaire. 3. Augmenter la pression pneumatique.
<b>La pompe fournit une pression d'huile excessive.</b>	1. Manomètre défectueux. 2. Valve de sécurité mal réglée.	1. Étalonner le manomètre. 2. Régler la valve de sécurité.