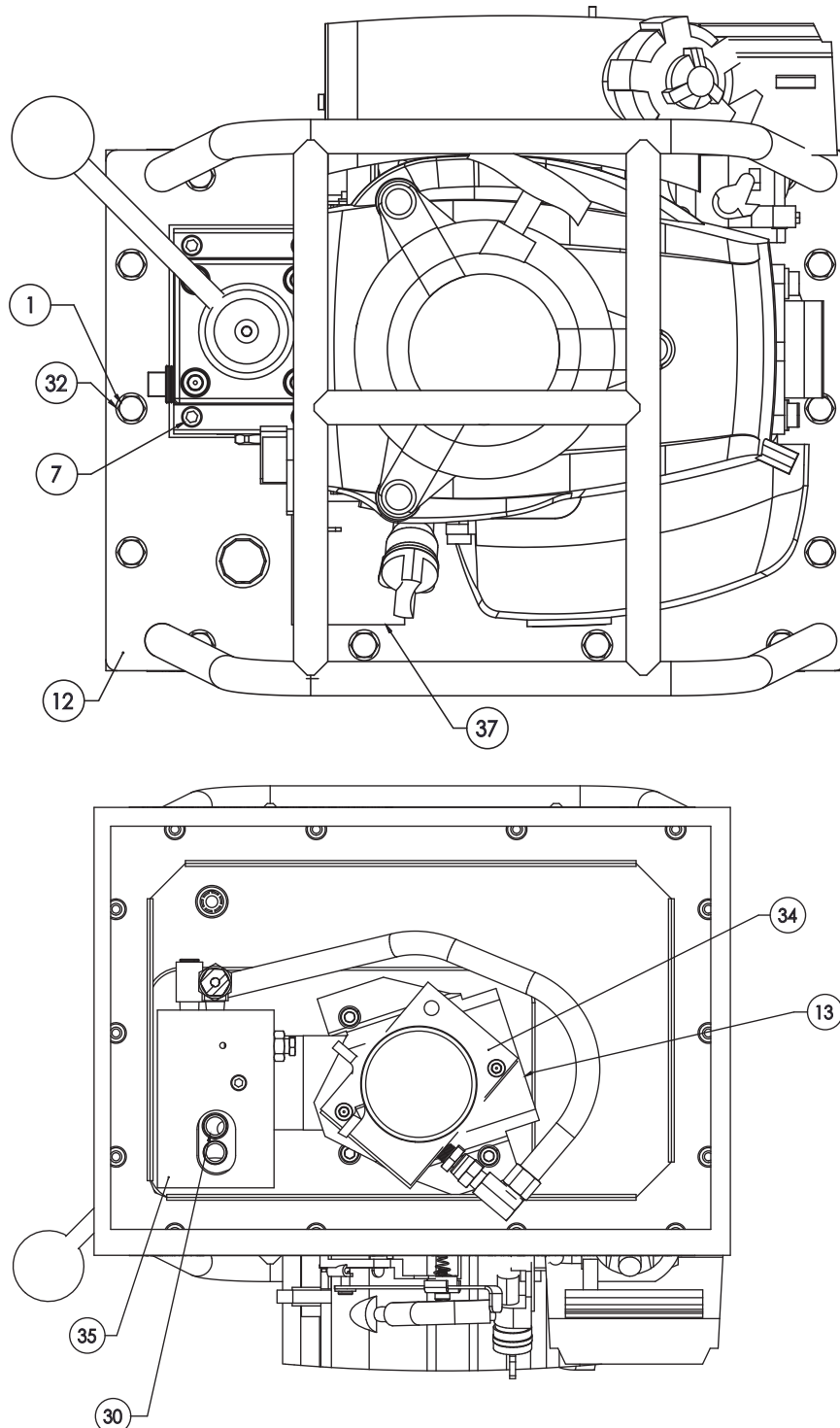
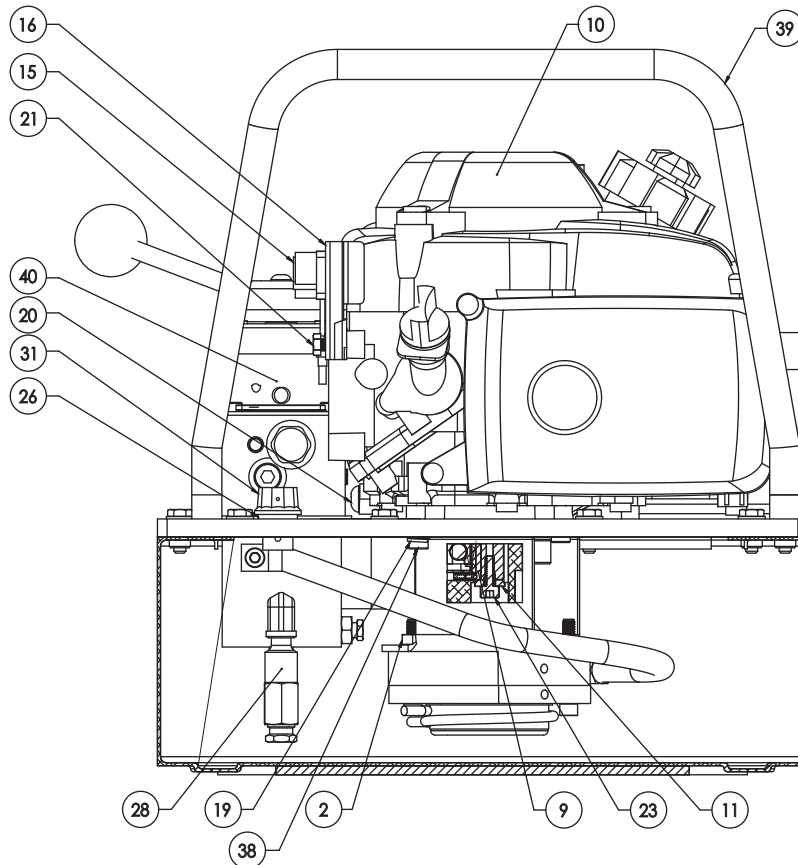
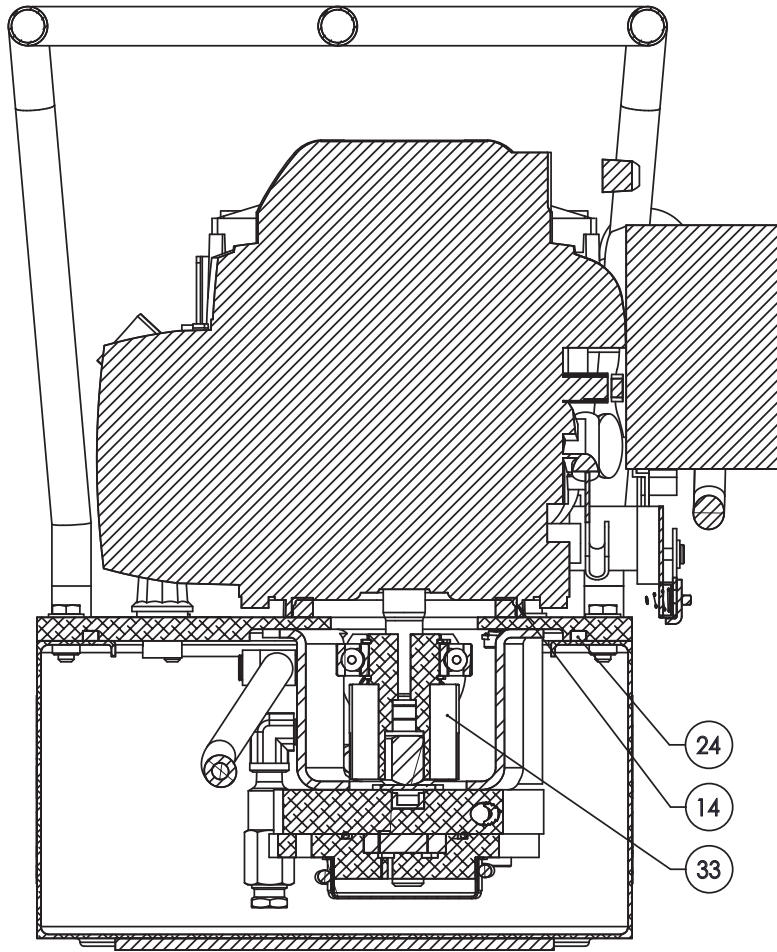
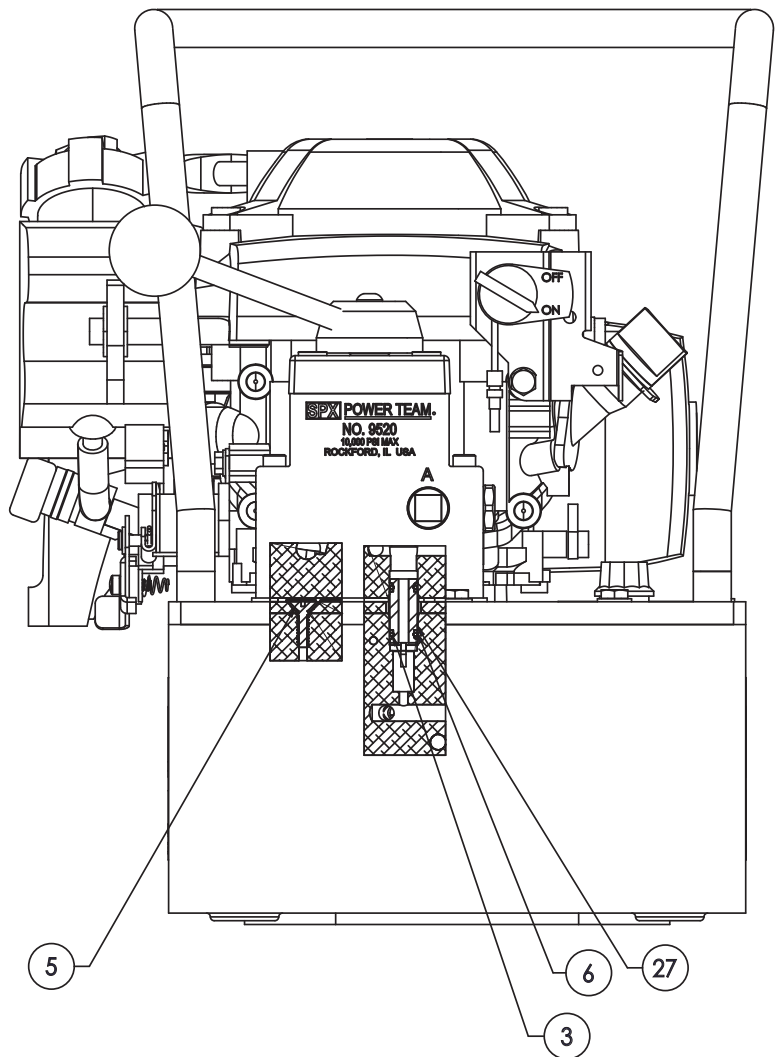
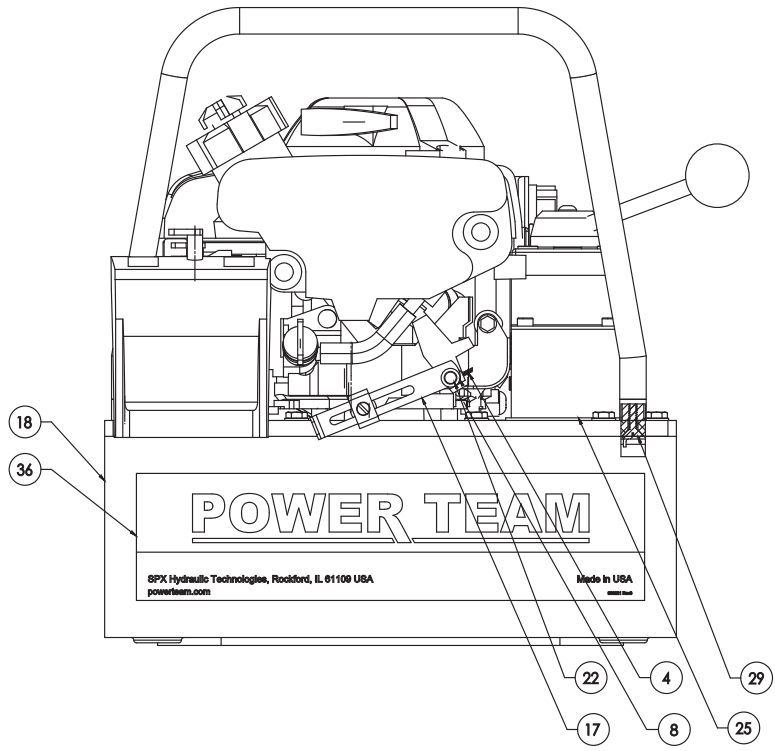


**PARTS DIAGRAM  
GAS HYDRAULIC PUMP  
Max. Capacity: 10,000 PSI**







## PARTS LIST

ITEM NO.	PART NUMBER	DESCRIPTION	QTY.
1	10009	SCREW, HEX CAP 1/4-20 X 0.75	14
2	10199	NUT, HEX 1/4-20	2
3	10268	O-RING (-012) 0.364ID x 0.070 NITRILE 70	2
4	10568	PIN, COTTER .06 X .50	1
5	11529	SCREW, MACH. 1/4-20 X .75 FLAT SLOT.	2
6	11863	WASHER, BACKUP 0.500 x0.375 (-012)	2
7	11956	SCREW, SHC 1/4-20 X 3.00	4
8	12355	WASHER, PLAIN 0.19 x 0.44 x 0.051 STEEL	1
9	2001724	SQUARE KEY FOR PG304, 5 X 5 MM OVERSIZED	1
10	2001727	GAS ENGINE, HONDA 2 HP	1
11	2001728	WASHER, ECCENTRIC PG30	1
12	2002018	PLATE COVER, PG30	1
13	2002019	BRACKET, LOW PRESSURE	1
14	2002020	SEAL, FACE 3.60INx3.00x0.30 NEO 50	1
15	2002022	SWITCH, HONDA ON/OFF	1
16	2002023	SWITCH BRACKET, HONDA	1
17	2002024	CONTROL SLIDE, MODIFIED	1
18	2002026	RESERVOIR, 2.50GAL CVR AL RECT ORG	1
19	2002051	WASHER, SPRG 11.8MMx6.5x1.5 ST ZN	5
20	2002052	SCREW, M8X1.25 X 14MM BHC C10.9 ST BOX	1
21	2002053	SCREW, M6X1 X 16MM HHC C8.8 ST ZN	1
22	2002055	PIN, CLEVIS 3/16 X 1/2 LG ST ZN	1
23	2002056	SCREW, M6X1 X 16MM SHC C10.9 ST BOX	1
24	2002059	ORING, -380 11.475X0.21X11.895IN NBR70	1
25	200395	GASKET, VALVE BASE	1
26	200415	PACKING, O-RING (SQUARE SECTION)	1
27	202505	BUSHING	1
28	21278	VALVE, RELIEF 10000 PSI	1
29	215757	SCREW, FLAT 1/4-20 X 1	4
30	250630	TUBE, DRAIN .50 OD x 4.50	2
31	251689	CAP, FILLER BREATHER	1
32	251700	WASHER, SEAL THD 1/4 NITRILE	14
33	3000056	ECCENTRIC ASSY	1
34	3000058	LOW PRESSURE ASSY	1
35	3000059	HIGH PRESSURE ASSY	1
36	309221	DECAL, TRADENAME POWER TEAM BLANK	2
37	420690	DECAL, PRODUCT BLANK 2.06 x 2.25	1
38	4539-AA	SCREW, SHC M6-1.0 X 20mm	4
39	58231	FRAME, ROLL CAGE	1
40	58478	VALVE, MANUAL 3 WAY PUMP MOUNT	1

# HYDRAULIC SCHEMATIC

