

SPXFLOW

>Power Team®

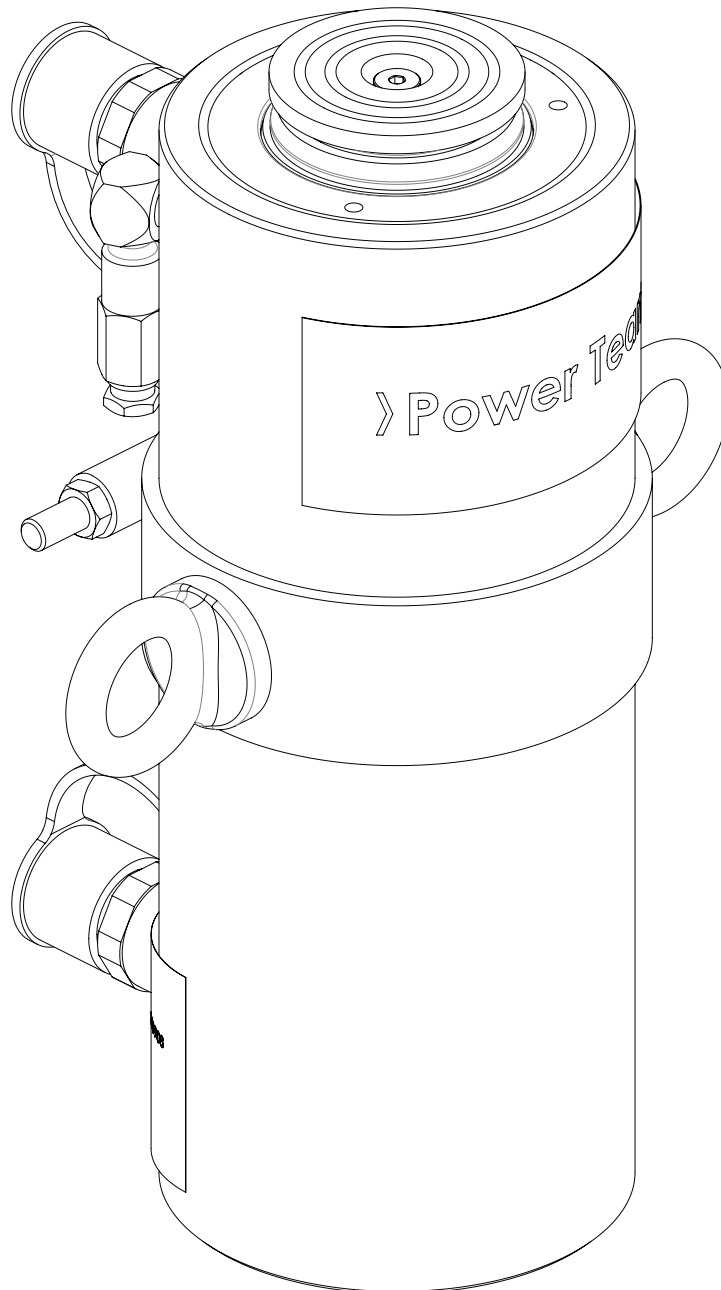
SPX Hydraulic Technologies
5885 11th Street
Rockford, IL 61109-3699 USA
powerteam.com

Tech Services: (800) 477-8326
Fax: (800) 765-8326
Order Entry: (800) 541-1418
Fax: (800) 288-7031

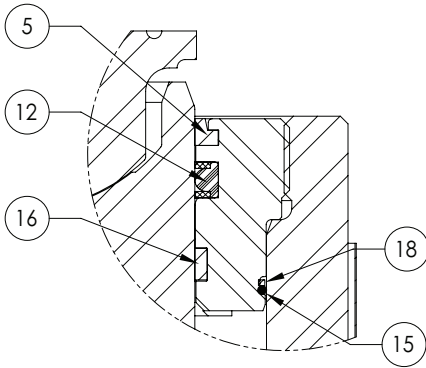
Parts List for:

RDG Series
RGG Series
RGL Series

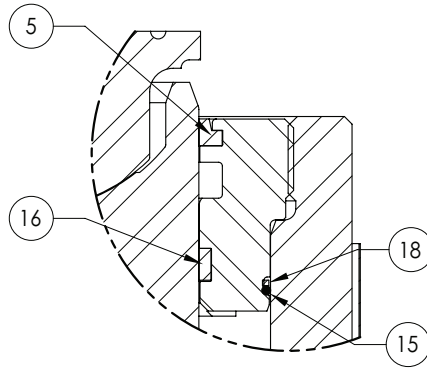
75 TON HYDRAULIC CYLINDER DOUBLE-ACTING, SINGLE-ACTING, & LOCKING COLLAR



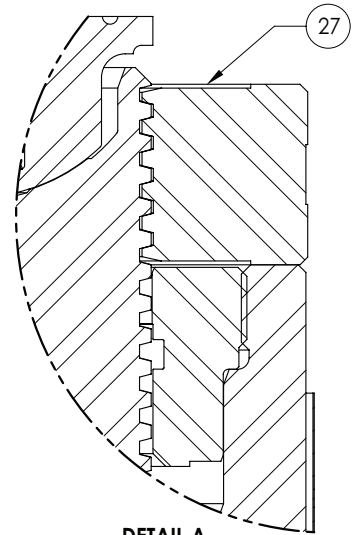
PARTS DIAGRAM



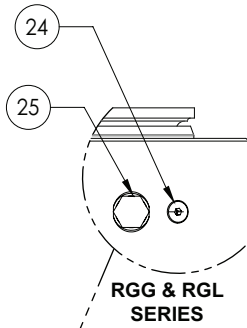
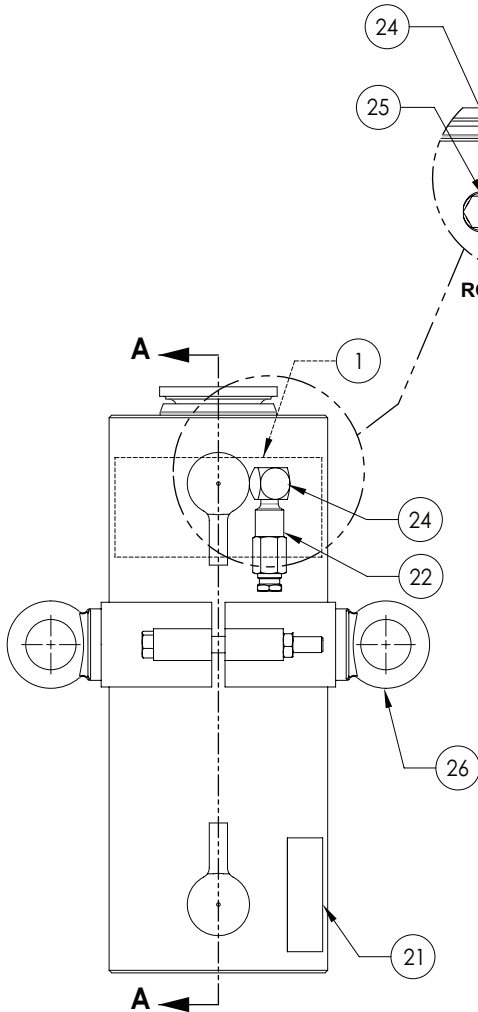
DETAIL A
RDG SERIES



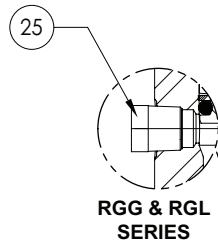
DETAIL A
RGG SERIES



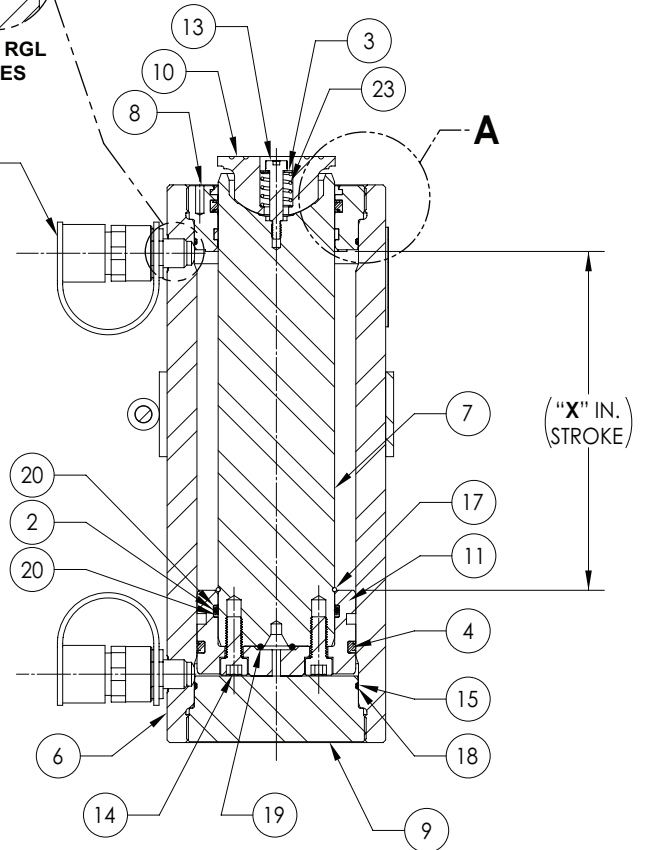
DETAIL A
RGL SERIES



RGG & RGL
SERIES



RGG & RGL
SERIES



SECTION A-A

PARTS LIST

ITEM	PART NO.	DESCRIPTION	QTY.
1	1000954	DECAL, TRADENAME POWERTEAM (2.5IN X 9.1IN)	1
2	250086	PACKING, O-RING (ROUND SECTION)	1
3	2009407	WASHER, PLN 0.812IN X 0.406 X 0.060 ST	1
4	2009391	SEAL, TSEL 4.375IN x 4.00 x 0.28 NBR 75	1
5	16117	WIPER, ROD 3.50x3.13 URE	1
6	2009380-X	CYLINDER, XIN 75T DA ST FNC	1
7	2009382-X	ROD, XIN 75T DA ST FNC SWVL	1
	2010022-X	ROD, XIN 75T LC ST FNC SWVL (RGL SERIES)	1
8	2009385	NUT, RETAINER 75T ST FNC	1
	2010024	NUT, RETAINER 75T LC ST FNC (RGL SERIES)	1
9	2009384	END, RETAINER 75T ST FNC	1
10	2009381	CAP, SWIVEL 75T ST FNC	1
11	2009383	PISTON, 75T DA ST FNC	1
12	2009390	SEAL, TSEL 3.50x3.125x0.27 NBR 75	1
13	2009371	SCREW, SHOULDER M6 X 1 - 30MM	1
14	2009260	SCREW, NYLOCK CAP M12 X 30MM	4
15	10858	PACKING, O-RING (ROUND SECTION)	2
16	2009388	WIPER, FELT HARD-DENSITY	1
17	2009386	WIRE, STOP 0.099	1
18	2009387	WASHER, BKUP - 4.476INx4.25x0.04 (HYTREL)	2
19	2009377	ORING, -208 0.609INx0.139x0.887 NBR70	1
20	2009389	WASHER, BKUP 3.35 x 3.125 X 0.04 (HYTREL)	2
21	203908	DECAL, WARNING CYLINDER	1
22	21278-48	RELIEF VALVE ASS'Y 4,900/5,300 PSI	1
23	2009408	SPRING, COM 0.845 X 0.663 X 1.000	1
24	24730	FITTING, 90D ELB 1/8 NPTF M x 1/8 NPTF F	1
	206414	FITTING, PLUG 1/8NPTF VENTED (RGG & RGL SERIES)	1
25	25600	COUPLER, QUICK CYLINDER HALF	2
	4796-AA	BREATHER VENT 3/8 N.P.T. (RGG & RGL SERIES)	1
26	3000907-OR9	EYELET, CYLINDER LIFT 5.78ID (NOT USED ON RDG752)	1
27	2010023	COLLAR, 75T LC ST FNC (RGL SERIES)	1

SEAL KITS

- For RDG75 Series use Seal Kit No. 3000908
- For RGG75 Series use Seal Kit No. 3001049
- For RGL75 Series use Seal Kit No. 3001052