

SPXFLOW

>Power Team®

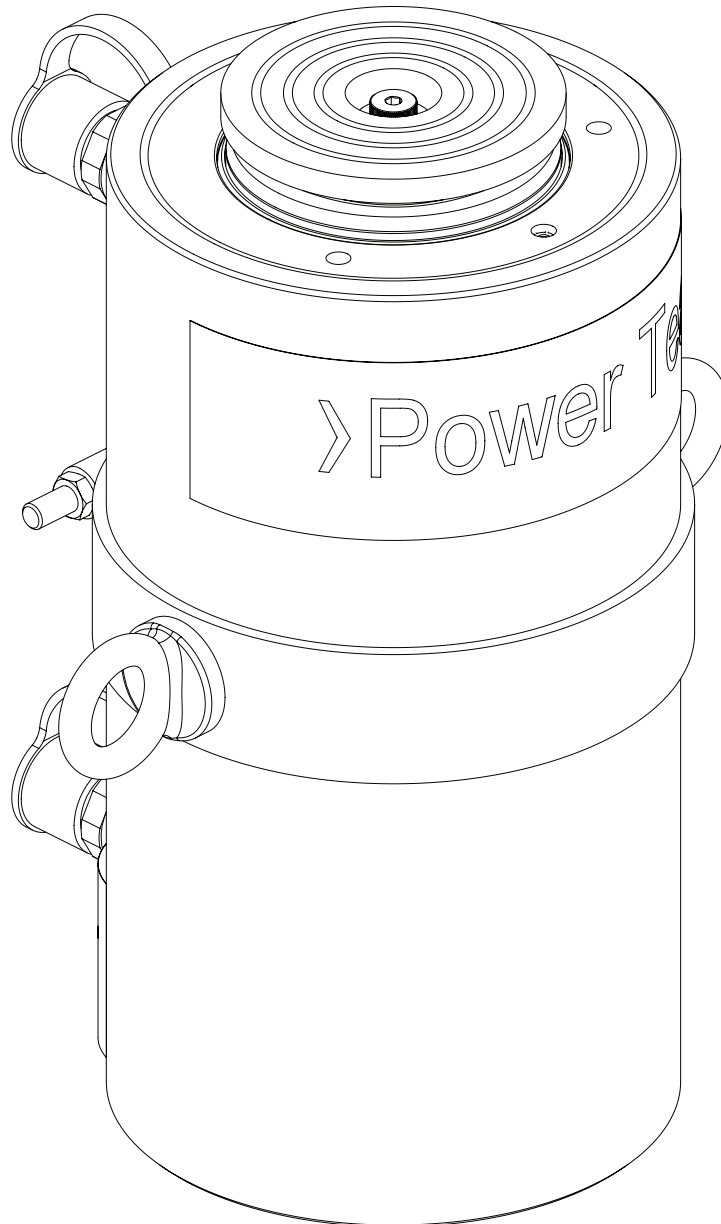
SPX Hydraulic Technologies
5885 11th Street
Rockford, IL 61109-3699 USA
powerteam.com

Tech Services: (800) 477-8326
Fax: (800) 765-8326
Order Entry: (800) 541-1418
Fax: (800) 288-7031

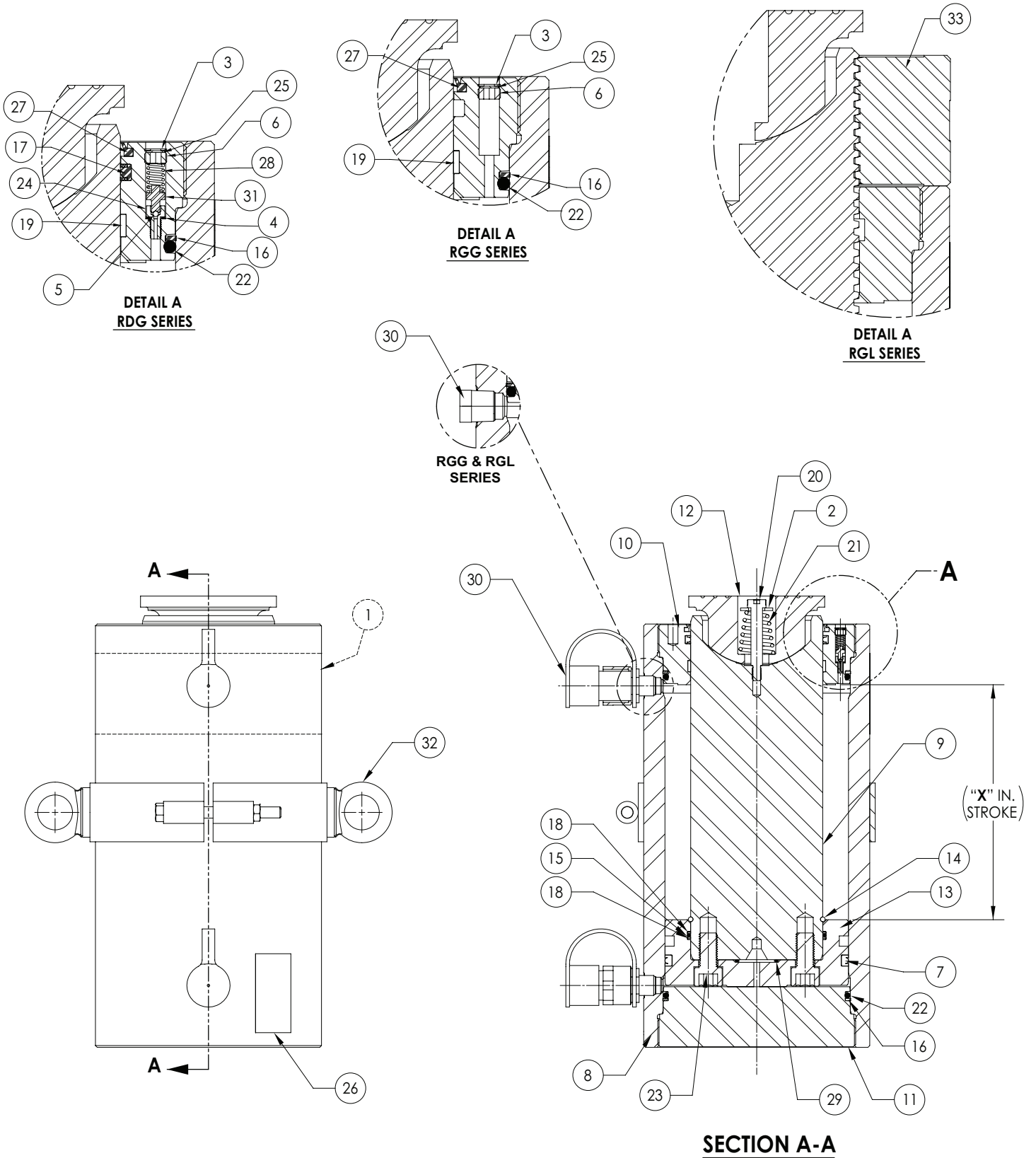
Parts List for:

RDG Series
RGG Series
RGL Series

150 TON HYDRAULIC CYLINDER DOUBLE-ACTING, SINGLE-ACTING, & LOCKING COLLAR



PARTS DIAGRAM



PARTS LIST

ITEM	PART NO.	DESCRIPTION	QTY.
1	1000945	DECAL, TRADENAME POWERTEAM (2.75 X 12.09)	1
2	10231	WASHER, PLAIN, 1.012 X .443 X .084	1
3	12201	RING, RETAIN INT 0.18 X .010	1
4	14319	WASHER, SPECIAL 0.310 x0.190	1
5	17238	BALL, 3/32 DIA STAINLESS STEEL	1
6	17240	SCREW, HOL LCK 3/8-24 X 0.19	1
7	19296	SEAL, TSEL 6.25INx5.75x0.375 NITR 70	1
8	2009146-X	CYLINDER, XIN 150T DA ST FNC	1
9	2009170-X	ROD, XIN 150T DA ST FNC SWVL	1
	2010025-X	ROD, XIN 150T LC ST FNC SWVL (RGL SERIES)	1
10	2009182	NUT, RETAINER 150T ST FNC	1
	2010027	NUT, RETAINER 150T LC ST FNC (RGL SERIES)	1
11	2009185	END, RETAINER 150T ST FNC	1
12	2009188	CAP, SWIVEL 150T ST FNC	1
13	2009191	PISTON, 150T DA ST FNC	1
14	2009194	WIRE, STOP 0.160	1
15	2009197	ORING, -246 4.484INx0.139x4.762 NBR70	1
16	2009198	WASHER, BKUP - 6.39INx6.00x0.06 (HYTREL)	2
17	2009210	SEAL, TSEL 4.87x4.50x0.27 NBR 75	1
18	2009244	WASHER, BACKUP 4.73 x 4.50 (HYTREL)	2
19	2009261	WIPER, FELT HARD-DENSITY	1
20	2009268	SCREW, SHOULDER M8 X 1.25 - 50MM	1
21	2009269	SPRING, COM 1.063OD 0.53ID 1.77L	1
22	2009275	ORING, -361 5.975INx0.210x6.395 NBR70	2
23	2009446	SCREW, M16x2.0 30MM SHC 8.8 ST BOX	4
24	203364	SEAT, REPLACEABLE	1
25	203475	SCREEN, FILTER	1
26	203908	DECAL, WARNING CYLINDER	1
27	207497	WIPER, ROD 4.94 X 4.50	1
28	209260	SPRING, COM OD .308 ID X.XXXR69L.645MW	1
29	250815	O-RING (-217) 1.171x0.139	1
30	25600	COUPLER, QUICK CYLINDER HALF	2
	4796-AA	BREATHER VENT 3/8 N.P.T. (RGG & RGL SERIES)	1
31	29785	RETAINER, BALL	1
32	3000877-OR9	EYELET, CYLINDER LIFT 7.7ID	1
33	2010026	COLLAR, 150T LC ST FNC (RGL SERIES)	1

SEAL KITS

- For RDG150 Series use Seal Kit No. 3000881
- For RGL150 Series use Seal Kit No. 3001053
- For RGG150 Series use Seal Kit No. 3001019