

SPXFLOW

>Power Team®

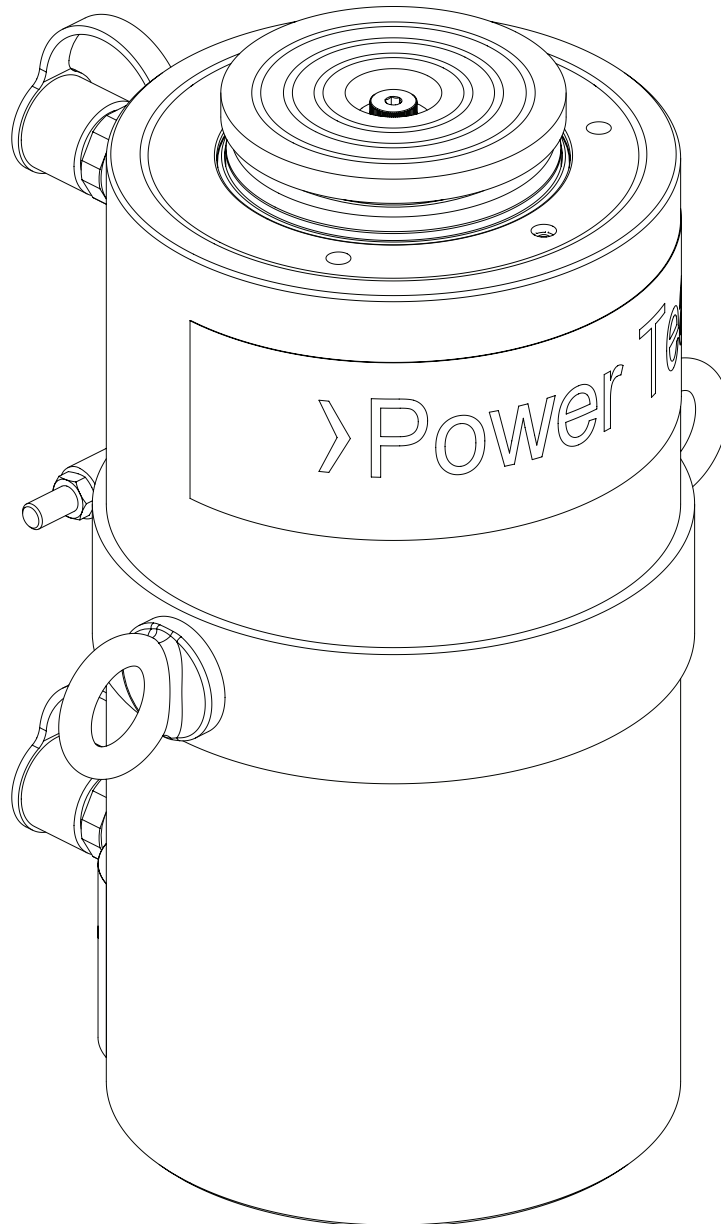
SPX Hydraulic Technologies
5885 11th Street
Rockford, IL 61109-3699 USA
powerteam.com

Tech Services: (800) 477-8326
Fax: (800) 765-8326
Order Entry: (800) 541-1418
Fax: (800) 288-7031

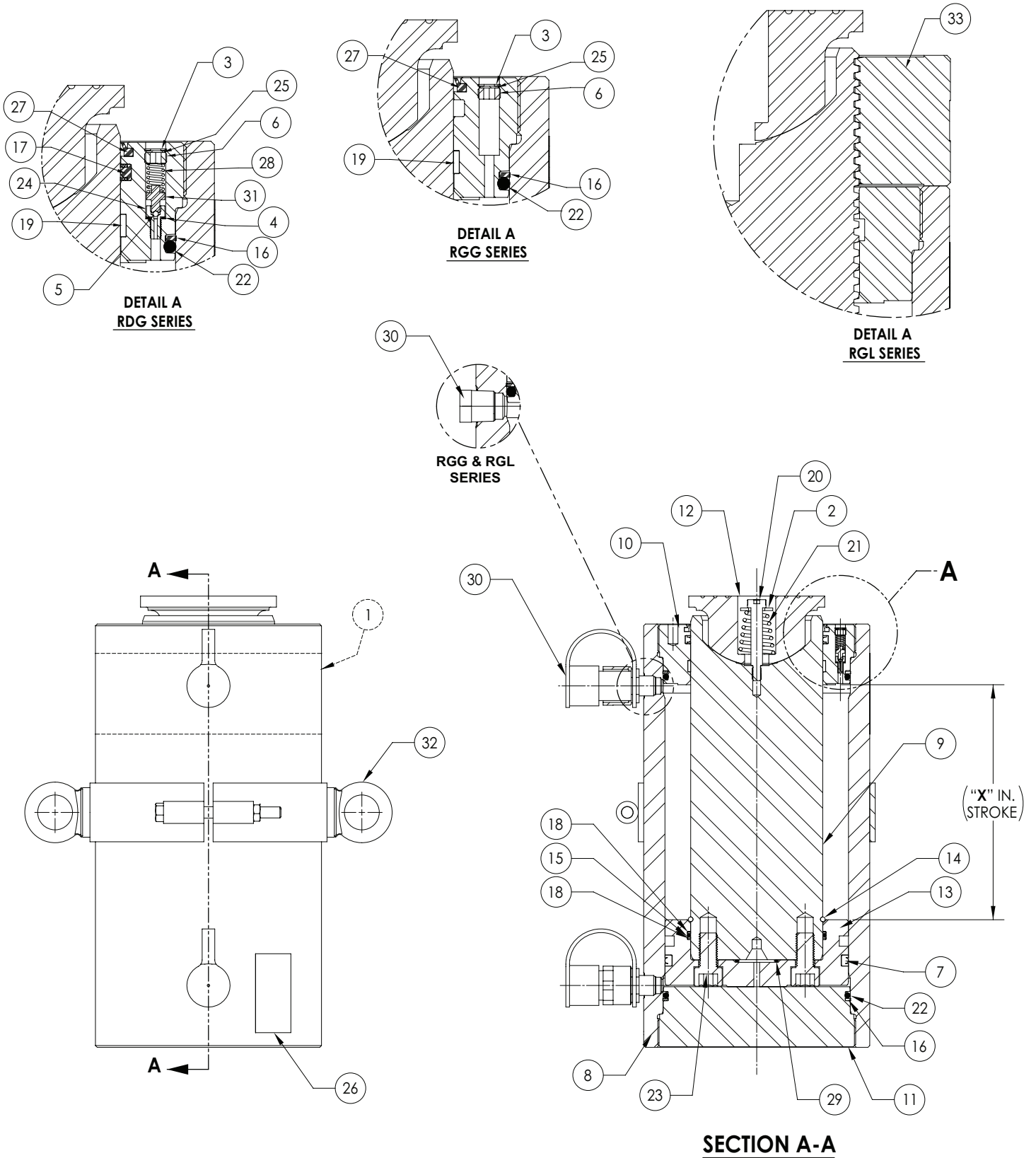
Parts List for:

RDG Series
RGG Series
RGL Series

200 TON HYDRAULIC CYLINDER DOUBLE-ACTING, SINGLE-ACTING, & LOCKING COLLAR



PARTS DIAGRAM



PARTS LIST

ITEM	PART NO.	DESCRIPTION	QTY.
1	1000946	DECAL, TRADENAME POWERTEAM (2.75 X 14.01)	1
2	10586	WASHER, PLAIN - TYPE A: 1/2	1
3	12201	RING, RETAIN INT 0.18 X .010	1
4	14319	WASHER, SPECIAL 0.310 x0.190	1
5	17238	BALL, 3/32 DIA STAINLESS STEEL	1
6	17240	SCREW, HOL LCK 3/8-24 X 0.19	1
7	19273	T SEAL, 7.25 X 6.75 X 0.38 L (-440)	1
8	2009154-X	CYLINDER, XIN 200T DA ST FNC	1
9	2009178-X	ROD, XIN 200T DA ST FNC SWVL	1
	2010028-X	ROD, XIN 200T LC ST FNC SWVL (RGL SERIES)	1
10	2009183	NUT, RETAINER 200T ST FNC	1
	2010030	NUT, RETAINER 200T LC ST FNC (RGL SERIES)	1
11	2009186	END, RETAINER 200T ST FNC	1
12	2009189	CAP, SWIVEL 200T ST FNC	1
13	2009192	PISTON, 200T DA ST FNC	1
14	2009195	WIRE, STOP 0.177	1
15	10299	O-RING (-252) 5.234ID x 0.139 NITRILE 70	1
16	2009245	WASHER, BACKUP 7.00 x 7.35 (HYTREL)	2
17	2009240	SEAL, TSEL 5.75x5.250x0.23 NBR 75	1
18	2009246	WASHER, BACKUP 5.49 x 5.25 (HYTREL)	2
19	2009310	WIPER, FELT HARD-DENSITY	1
20	2009306	SCREW, SHOULDER M10 X 1.5 - 60MM	1
21	209177	SPRING, COM 1.312OD 0.812ID 1.973L	1
22	2009309	O-RING, -365 6.975X0.210X7.395 NBR70	2
23	2009447	SCREW, M20x2.5 35MM SHC 12.9 ST BOX	4
24	203364	SEAT, REPLACEABLE	1
25	203475	SCREEN, FILTER	1
26	203908	DECAL, WARNING CYLINDER	1
27	252412	WIPER 5.25X5.689X0.238	1
28	209260	SPRING, COM OD .308 ID X.XXXR69L.645MW	1
29	250815	O-RING (-217) 1.171x0.139	1
30	25600	COUPLER, QUICK CYLINDER HALF	2
	4796-AA	BREATHER VENT 3/8 N.P.T. (RGG & RGL SERIES)	1
31	29785	RETAINER, BALL	1
32	3000888-OR9	EYELET, CYLINDER LIFT 8.93ID	1
33	2010029	COLLAR, 200T LC ST FNC (RGL SERIES)	1

SEAL KITS

- For RDG200 Series use Seal Kit No. 3000891
- For RGL200 Series use Seal Kit No. 3001030
- For RGG200 Series use Seal Kit No. 3001050