

# SPXFLOW

## >Power Team®

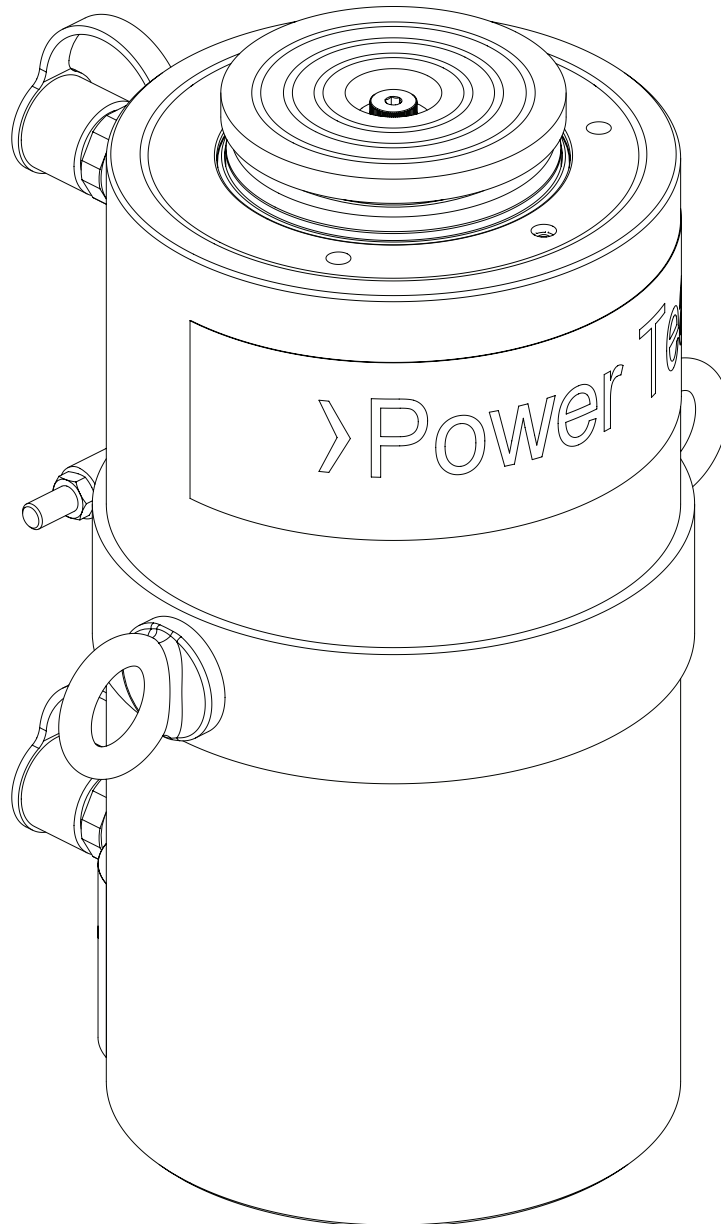
SPX Hydraulic Technologies  
5885 11th Street  
Rockford, IL 61109-3699 USA  
powerteam.com

Tech Services: (800) 477-8326  
Fax: (800) 765-8326  
Order Entry: (800) 541-1418  
Fax: (800) 288-7031

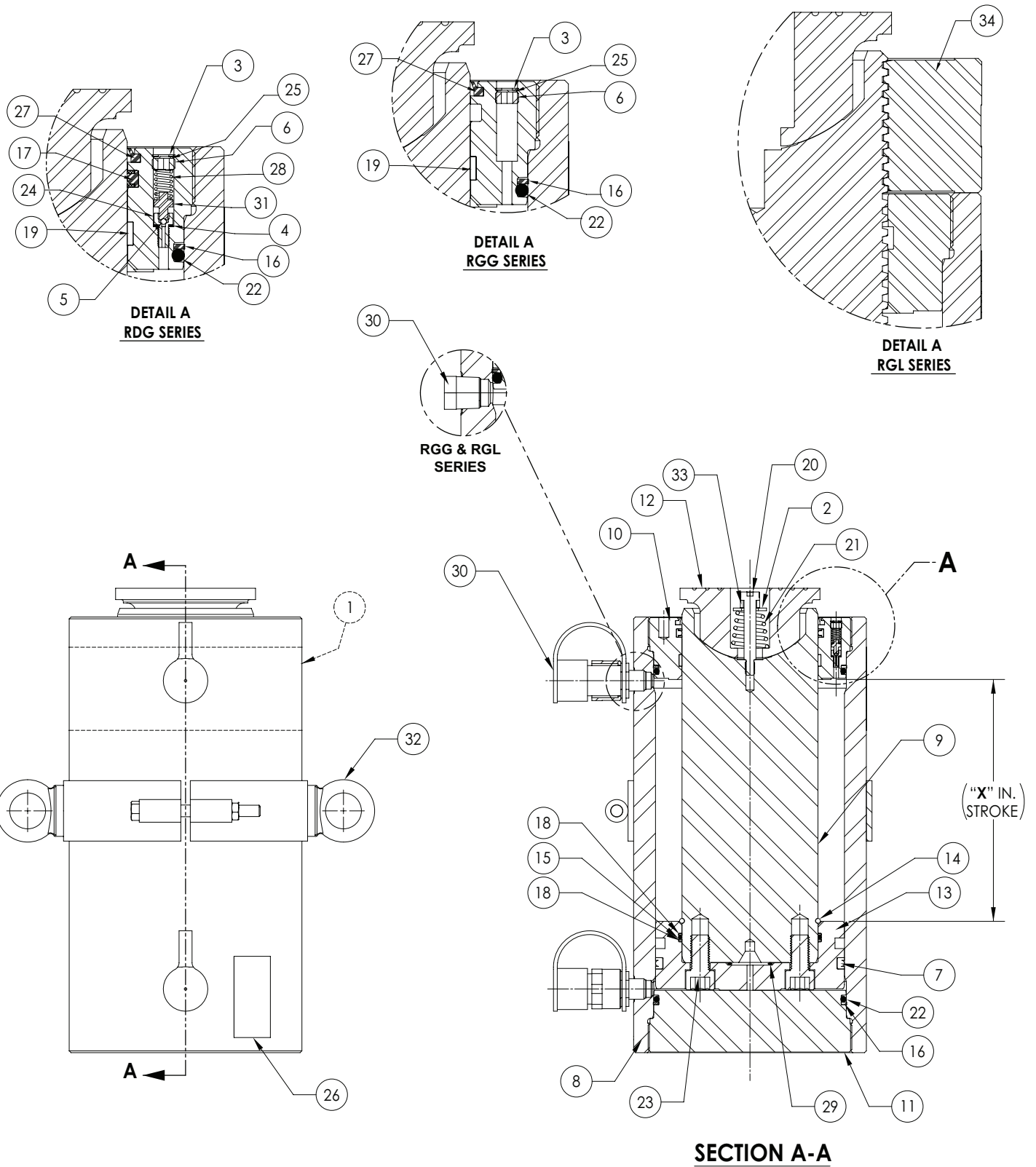
Parts List for:

**RDG Series**  
**RGG Series**  
**RGL Series**

### 250 TON HYDRAULIC CYLINDER DOUBLE-ACTING, SINGLE-ACTING, & LOCKING COLLAR



# PARTS DIAGRAM



## PARTS LIST

ITEM	PART NO.	DESCRIPTION	QTY.
1	1000956	DECAL, TRADENAME POWERTEAM (3.5IN X 20.3IN)	1
2	200019	WASHER, .75X.52X.38	1
3	12201	RING, RETAIN INT 0.18 X .010	1
4	14319	WASHER, SPECIAL 0.310 x0.190	1
5	17238	BALL, 3/32 DIA STAINLESS STEEL	1
6	17240	SCREW, HOL LCK 3/8-24 X 0.19	1
7	250048	SEAL, TSEL 8.00IN x 7.50 x 0.357 NBR 75	1
8	2009409-X	CYLINDER, XIN 250T DA ST FNC	1
9	2009412-X	ROD, XIN 250T DA ST FNC SWVL	1
	2010031-X	ROD, XIN 250T LC ST FNC SWVL (RGL SERIES)	1
10	2009411	NUT, RETAINER 250T ST FNC	1
	2010033	NUT, RETAINER 250T LC ST FNC (RGL SERIES)	1
11	2009410	END, RETAINER 250T ST FNC	1
12	212044	SPRING, COMPRESSION	1
13	2009414	PISTON, 250T DA ST FNC	1
14	2009415	WIRE, STOP 0.218	1
15	13425	O-RING (-258) 6.000ID x .125 NITRILE 70	1
16	2009417	WASHER, BKUP - 8.096INx7.75x0.06 (HYTREL)	2
17	250200	SEAL, TSEL 6.50x6.00x0.36 L (-437)	1
18	2009418	WASHER, BKUP 6.226x6.00x0.04 (HYTREL)	2
19	2009419	WIPER, FELT HARD-DENSITY	1
20	2009438	SCREW, SHOULDER M10 X 1.5MM - 50MM	1
21	2009413	CAP, SWIVEL 250T ST FNC	1
22	2009416	ORING, -368 7.725INx0.210x8.145 NBR70	2
23	2009421	SCREW, CAP M24 X 45MM	4
24	203364	SEAT, REPLACEABLE	1
25	203475	SCREEN, FILTER	1
26	203908	DECAL, WARNING CYLINDER	1
27	250203	WIPER, ROD 5.50 x 6.00 URE	1
28	209260	SPRING, COM OD .308 ID X.XXXR69L.645MW	1
29	250815	O-RING (-217) 1.171x0.139	1
30	25600	COUPLER, QUICK CYLINDER HALF	2
	4796-AA	BREATHER VENT 3/8 N.P.T. (RGG & RGL SERIES)	1
31	29785	RETAINER, BALL	1
32	3000910-OR9	EYELET, CYLINDER LIFT 9.85ID	1
33	10586	WASHER, PLAIN - TYPE A: 1/2	1
34	2010032	COLLAR, 250T LC ST FNC (RGL SERIES)	1

## SEAL KITS

- For RDG250 Series use Seal Kit No. 3000911
- For RGL250 Series use Seal Kit No. 3001031
- For RGG250 Series use Seal Kit No. 3001051