

# SPXFLOW

## >Power Team®

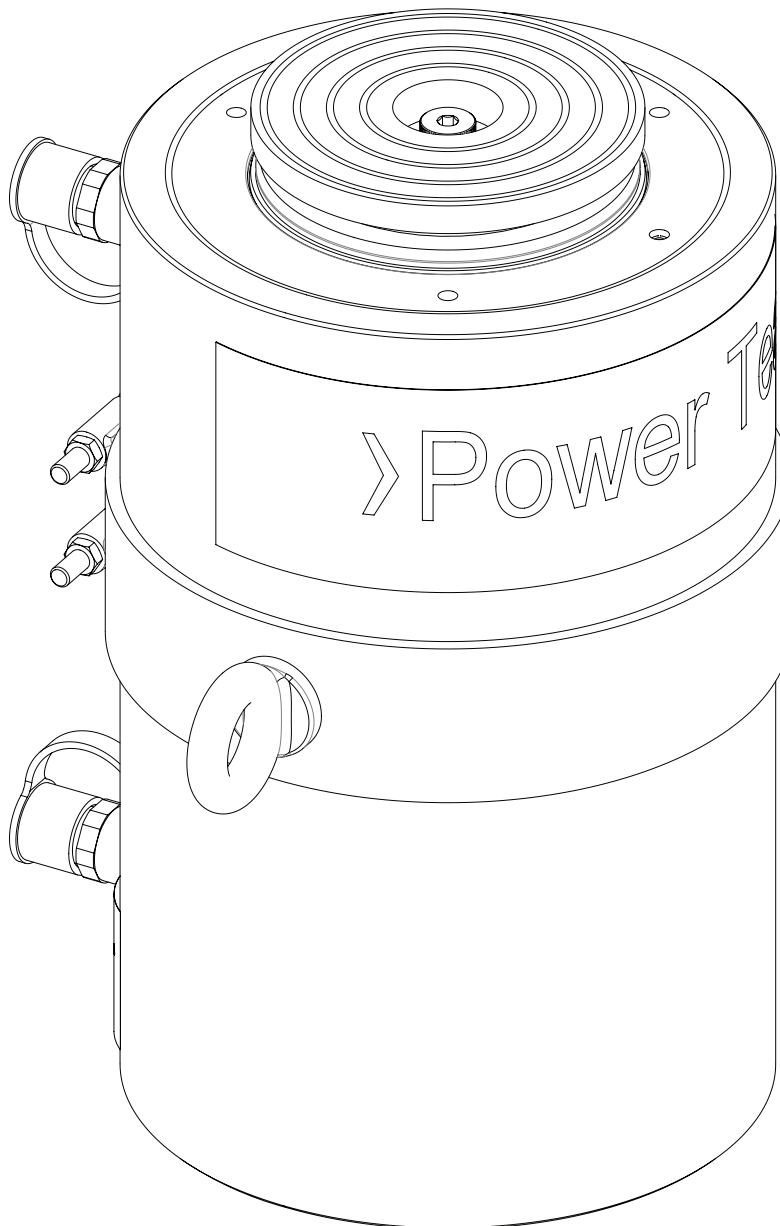
SPX Hydraulic Technologies  
5885 11th Street  
Rockford, IL 61109-3699 USA  
powerteam.com

Tech Services: (800) 477-8326  
Fax: (800) 765-8326  
Order Entry: (800) 541-1418  
Fax: (800) 288-7031

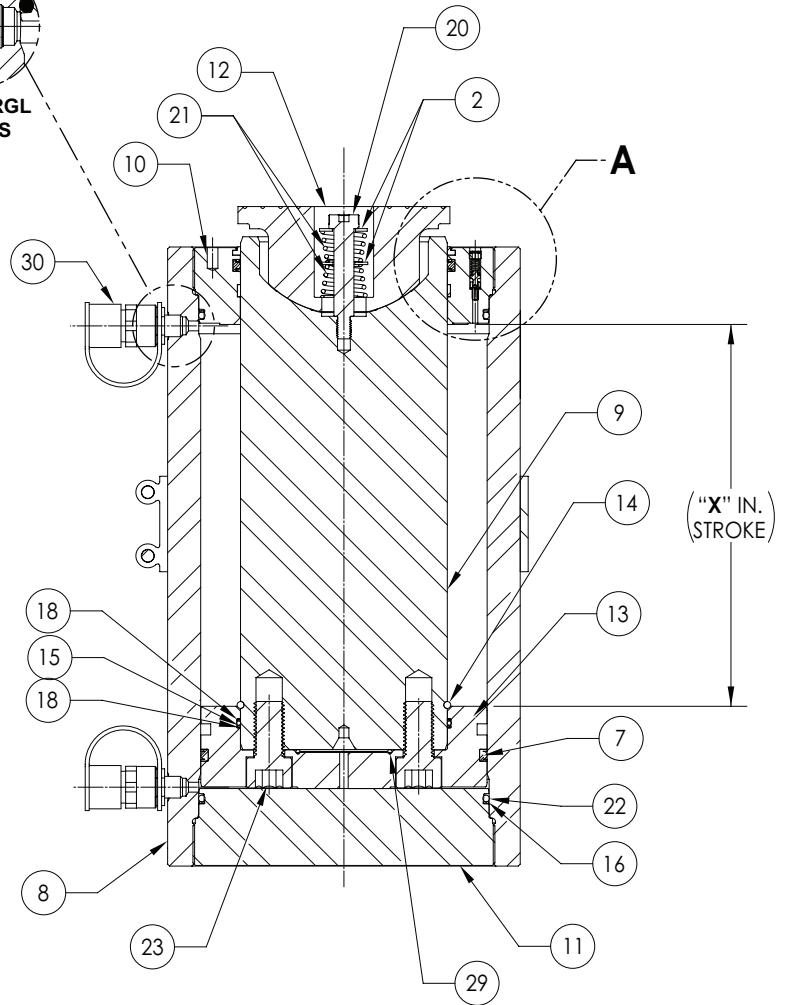
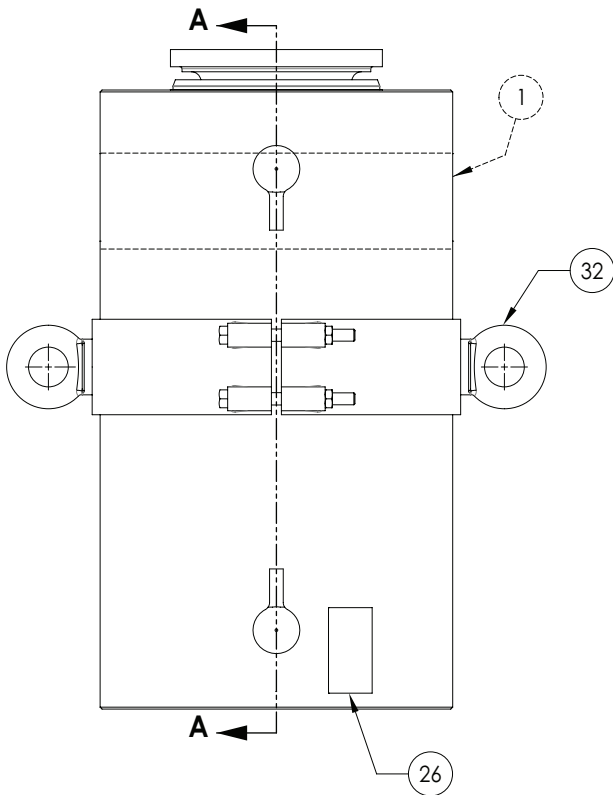
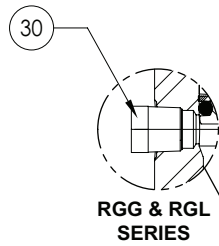
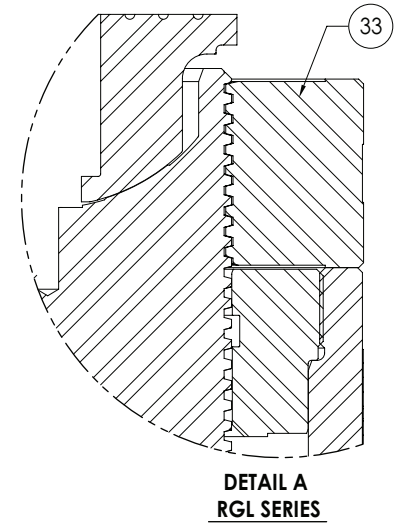
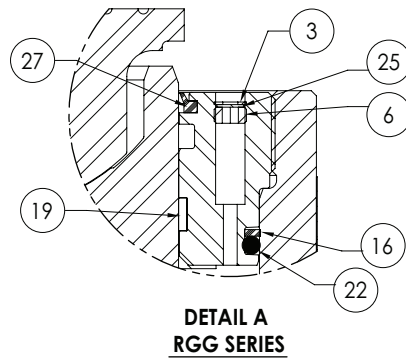
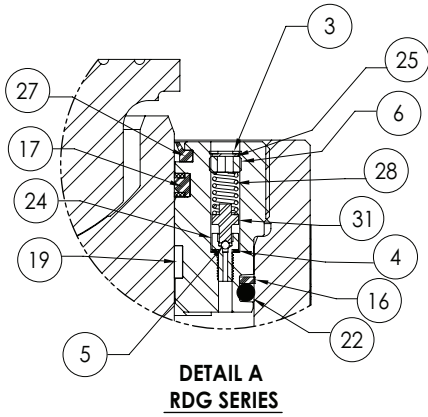
Parts List for:

**RDG Series**  
**RGG Series**  
**RGL Series**

### 400 TON HYDRAULIC CYLINDER DOUBLE-ACTING, SINGLE-ACTING, & LOCKING COLLAR



# PARTS DIAGRAM



## PARTS LIST

ITEM	PART NO.	DESCRIPTION	QTY.
1	1000952	DECAL, TRADENAME POWERTEAM (3.5IN X 20.3IN)	1
2	2009363	WASHER, PLN 2.00INX1.06X0.13 ST ZN	2
3	12201	RING, RETAIN INT 0.18 X .010	1
4	14319	WASHER, SPECIAL 0.310 x0.190	1
5	17238	BALL, 3/32 DIA STAINLESS STEEL	1
6	17240	SCREW, HOL LCK 3/8-24 X 0.19	1
7	2009362	SEAL, TSEL 10.50IN X 10.00 X .38 NBR 75	1
8	2009348-X	CYLINDER, XIN 400T DA ST FNC	1
9	2009346-X	ROD, XIN 400T DA ST FNC SWVL	1
	2010037-X	ROD, XIN 400T LC ST FNC SWVL (RGL SERIES)	1
10	2009350	NUT, RETAINER 400T ST FNC	1
	2010039	NUT, RETAINER 400T LC ST FNC (RGL SERIES)	1
11	2009349	END, RETAINER 400T ST FNC	1
12	2009347	CAP, SWIVEL 400T ST FNC	1
13	2009345	PISTON, 400T DA ST FNC	1
14	2009360	WIRE, STOP 0.312	1
15	2009359	ORING, -264 7.48IN x 0.139 x 7.76 NBR70	1
16	2009357	WASHER, BKUP - 10.45INx10.0x0.10 (HYTREL)	2
17	250177	SEAL, TSEL 7.95x7.50x0.36 NBR 75	1
18	2009356	WASHER, BACKUP 7.73 x 7.50 x 0.04 (HYTREL)	2
19	2009358	WIPER, FELT HARD-DENSITY 7.69 OD x 0.38	1
20	2009354	SCREW, SHOULDER M16 X 2MM - 80MM	1
21	212049	SPRING, COM OD2.135ID1.175L1.370CS	2
22	2009355	ORING, -449 9.975INx0.275x10.525 NBR70	2
23	2009353	SCREW, CAP M30 x 60MM	4
24	203364	SEAT, REPLACEABLE	1
25	203475	SCREEN, FILTER	1
26	203908	DECAL, WARNING CYLINDER	1
27	250181	WIPER, ROD 8.00 x 7.50 URE	1
28	209260	SPRING, COM OD .308 ID X.XXXR69L.645MW	1
29	10296	PACKING, O-RING (ROUND SECTION)	1
30	25600	COUPLER, QUICK CYLINDER HALF	2
	4796-AA	BREATHER VENT 3/8 N.P.T. (RGG & RGL SERIES)	1
31	29785	RETAINER, BALL	1
32	3000902-OR9	EYELET, CYLINDER LIFT 12.93ID	1
33	2010038	COLLAR, 400T LC ST FNC (RGL SERIES)	1

## SEAL KITS

- For RDG400 Series use Seal Kit No. 3000903
- For RGL400 Series use Seal Kit No. 3001054
- For RGG400 Series use Seal Kit No. 3001023