

SPXFLOW

>Power Team®

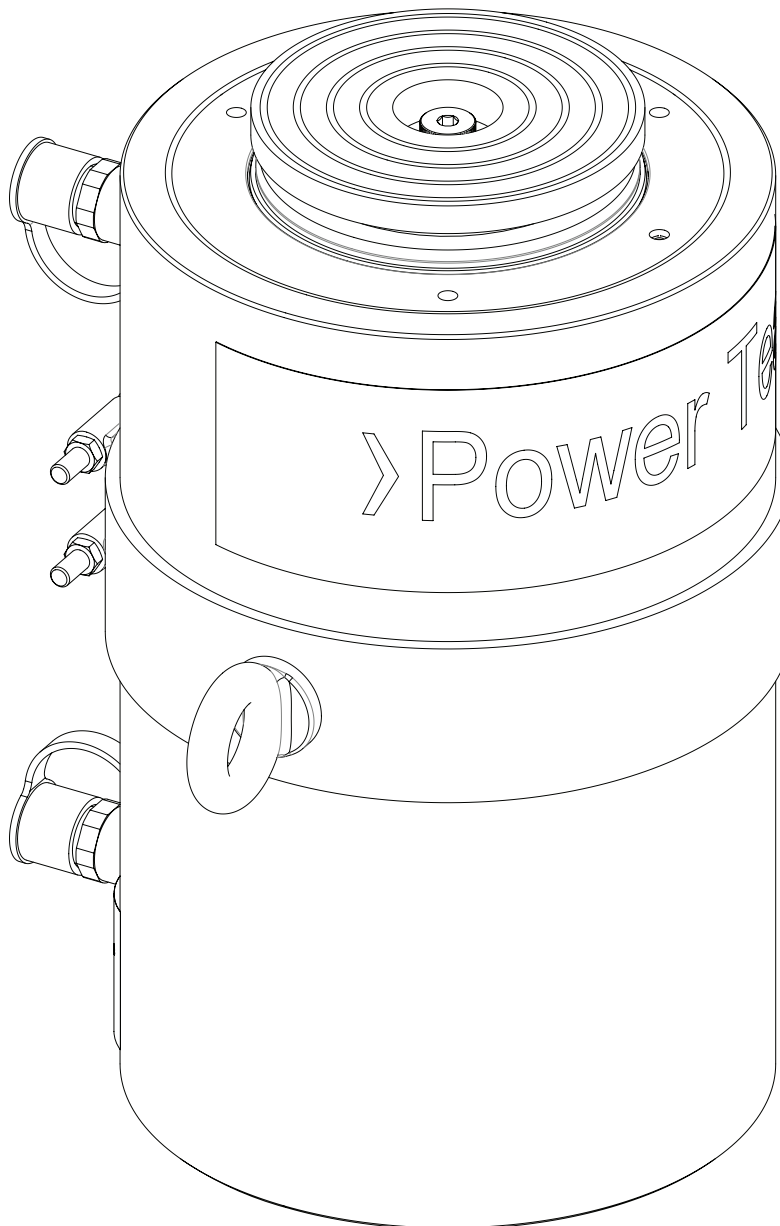
SPX Hydraulic Technologies
5885 11th Street
Rockford, IL 61109-3699 USA
powerteam.com

Tech Services: (800) 477-8326
Fax: (800) 765-8326
Order Entry: (800) 541-1418
Fax: (800) 288-7031

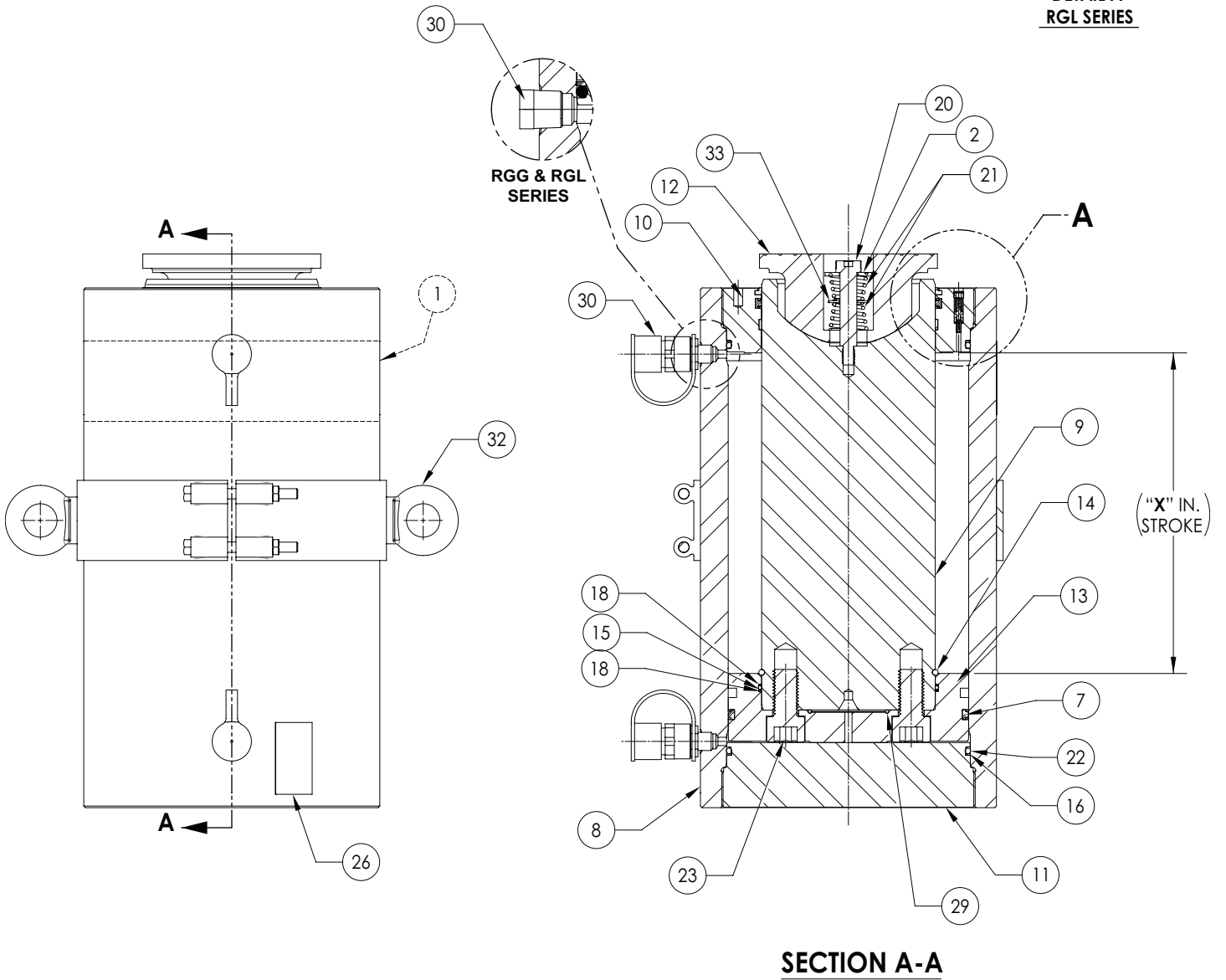
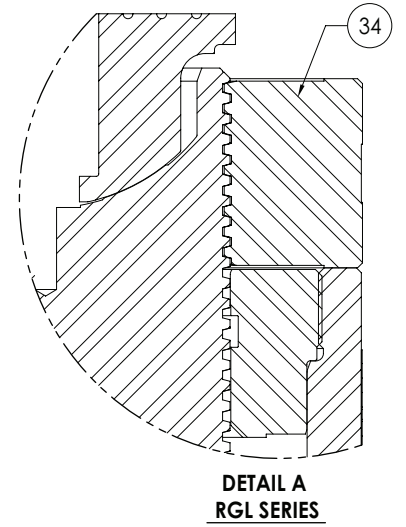
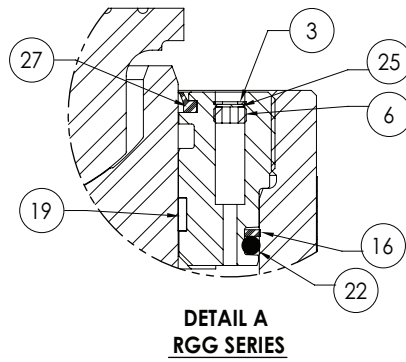
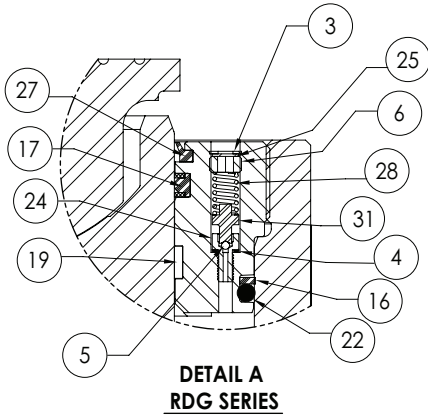
Parts List for:

RDG Series
RGG Series
RGL Series

600 TON HYDRAULIC CYLINDER DOUBLE-ACTING, SINGLE-ACTING, & LOCKING COLLAR



PARTS DIAGRAM



PARTS LIST

ITEM	PART NO.	DESCRIPTION	QTY.
1	1000951	DECAL, TRADENAME POWERTEAM (3.5IN X 24IN)	1
2	10238	WASHER, PLAIN - TYPE "A"	1
3	12201	RING, RETAIN INT 0.18 X .010	1
4	14319	WASHER, SPECIAL 0.310 x0.190	1
5	17238	BALL, 3/32 DIA STAINLESS STEEL	1
6	17240	SCREW, HOL LCK 3/8-24 X 0.19	1
7	2009343	SEAL, TSEL 12.50IN X 12.00 X .38 NBR 75	1
8	2009326-X	CYLINDER, XIN 600T DA ST FNC	1
9	2009323-X	ROD, XIN 600T DA ST FNC SWVL	1
	2010043-X	ROD, XIN 600T LC ST FNC SWVL (RGL SERIES)	1
10	2009328	NUT, RETAINER 600T ST FNC	1
	2010045	NUT, RETAINER 600T LC ST FNC (RGL SERIES)	1
11	2009327	END, RETAINER 600T ST FNC	1
12	2009324	CAP, SWIVEL 600T ST FNC	1
13	2009322	PISTON, 600T DA ST FNC	1
14	2009325	WIRE, STOP 0.375	1
15	2009339	ORING, -270 8.984IN x0.139x9.262 NBR70	1
16	2009338	WASHER, BKUP 12.45Inx12.00x0.10 (HYTREL)	2
17	2009337	SEAL, TSEL 9.50INx9.00x0.38 NBR 75	1
18	2009336	WASHER, BKUP 9.23INx9.00x0.04 (HYTREL)	2
19	2009335	WIPER, FELT HARD-DENSITY 9.19 ID x .38	1
20	2009341	SCREW, SHOULDER M20 X 2.5MM - 100MM	1
21	306369	SPRING COMPRESSION	2
22	2009340	ORING, -453 11.975IN x0.275x12.525 NBR70	2
23	2009334	SCREW, CAP M33 X 60MM	4
24	203364	SEAT, REPLACEABLE	1
25	203475	SCREEN, FILTER	1
26	203908	DECAL, WARNING CYLINDER	1
27	2009333	SEAL, WIPR 9.49INx9.00x0.26 PU 90	1
28	209260	SPRING, COM OD .308 ID X.XXXR69L.645MW	1
29	10296	PACKING, O-RING (ROUND SECTION)	1
30	25600	COUPLER, QUICK CYLINDER HALF	2
	4796-AA	BREATHER VENT 3/8 N.P.T. (RGG & RGL SERIES)	1
31	29785	RETAINER, BALL	1
32	3000899-OR9	EYELET, CYLINDER LIFT 15.4ID	1
33	11253	WASHER, PLAIN 1.07 x 2.01 x 0.14 STL	1
34	2010044	COLLAR, 600T LC ST FNC (RGL SERIES)	1

SEAL KITS

- For RDG600 Series use Seal Kit No. 3000901
- For RGL600 Series use Seal Kit No. 3001035
- For RGG600 Series use Seal Kit No. 3001025