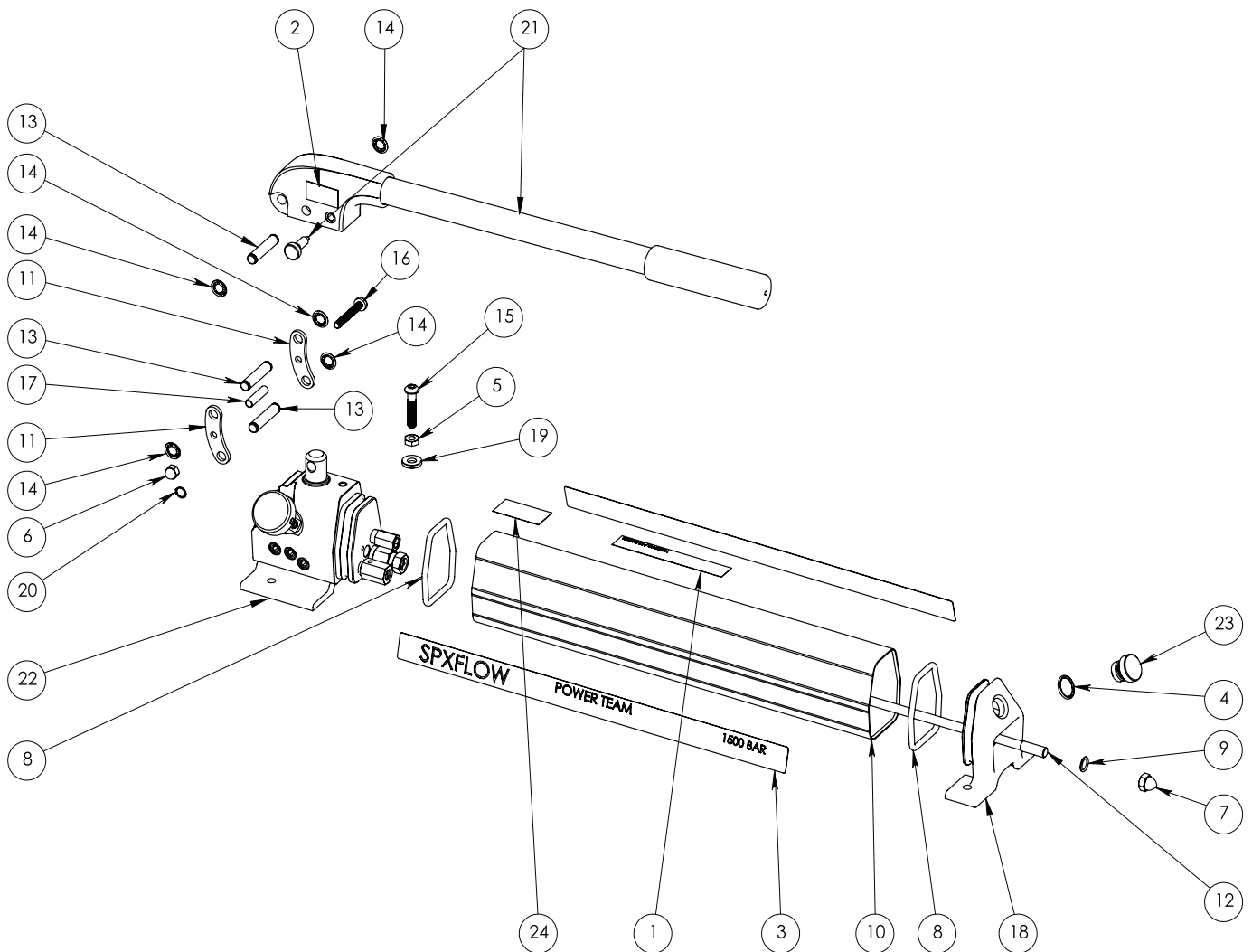


Parts List for:

P59L-1500
P59L-1500G

TWO-STAGE HYDRAULIC HAND PUMP 300 PSI FIRST STAGE; 22,500 PSI SECOND STAGE



P59L-1500

Sheet 1 of 3

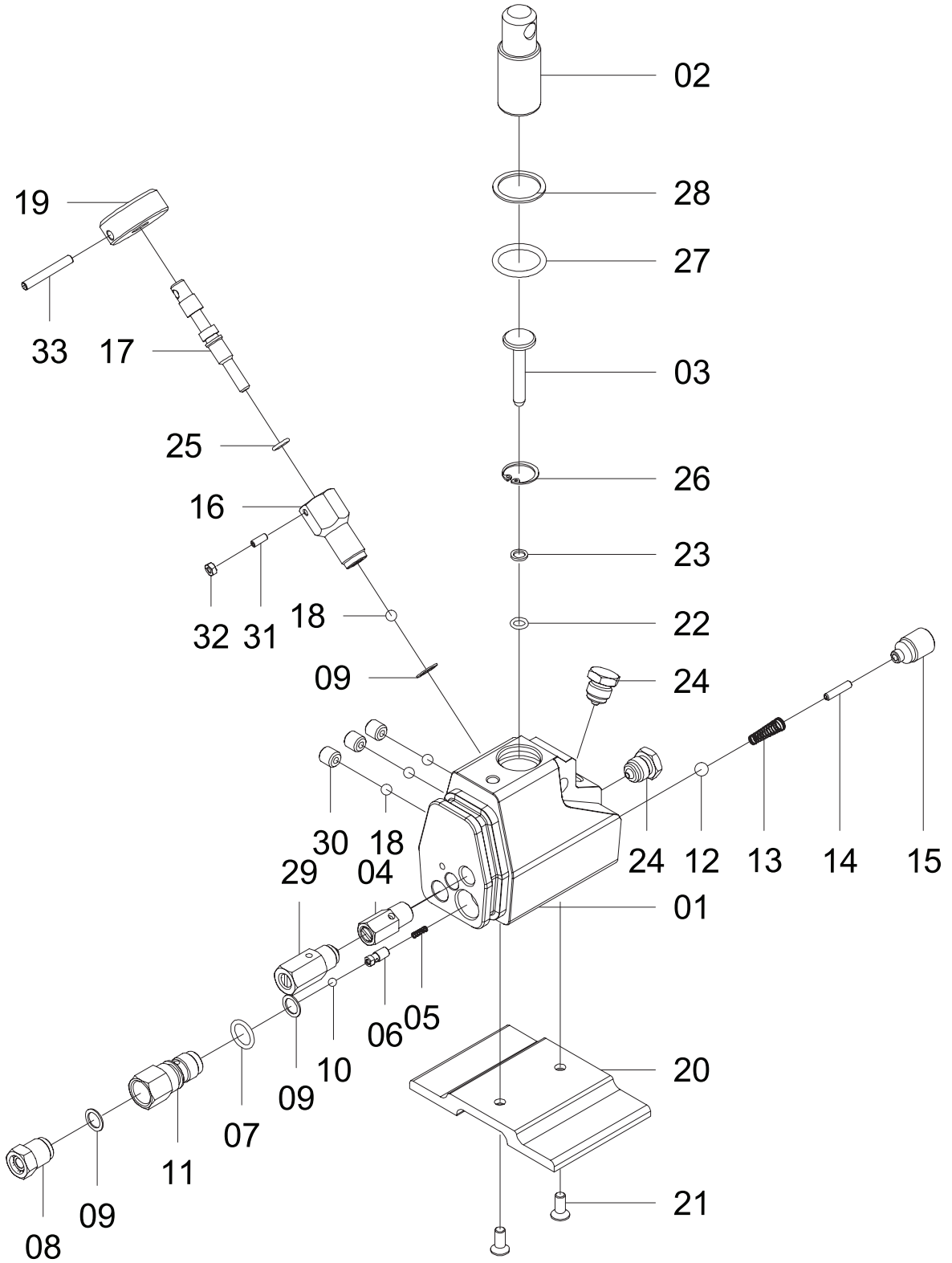
Parts List, Back Sheet 1 of 3

P59L-1500 Parts List			
ITEM	PART NO.	QTY.	DESCRIPTION
1	1000135	1	Decal, Warning P19L and P59L
2	1000143	1	Decal, Locking Device
3	1001077	1	Decal, Tradename Power Team P59L-1500
4	10274	1	O-Ring (-115) 0.67 4ID X 0.103 Nitrile 70
5	10385	1	Nut, Hex Jam 5/16-18
6	10486	1	Nut, Hex Acorn CAP 1/4-20
7	10842	1	Nut, Hex Acorn CAP 3/8-16
8	11763	2	O-Ring (-333) 2.4715ID X 0.210 Nitrile 70
9	12098	1	O-Ring (-013) 0.426ID X 0.0070 Nitrile 70
10	2000316	1	Tank Assy Pt. 3.175/2.425 17.250 Alum
11	2000323	2	Link
12	2000326	1	Rod, Tie 3/8-16 X 18.50 P59L
13	2000329	3	Pin, Pivot 1.78" P59L
14	2000332	5	Ring, Retaining P59L
15	2000359	1	Screw, Button 5/16-18 X 1.5
16	2000391	1	Screw, 1/4-20 X 1.75 PAN Phillips
17	2000401	1	Tubing, Heat Shrink 1/4" X 1/2" (17087)
18	2000405	1	Cap, End P59L Machined Casting
19	2007907	1	Washer, Pln Hdn 0.75INX0.35X0.12 ST OX
20	251069	1	Retaining Ring
21	3000161	1	Handle Assembly
22	*3000996	1	Assembly, Pump Body P59L-1500
23	351245	1	Cap, Filler
24	420691	1	Decal, Product Blank 2.06 X 1.00

* Service kits and parts for the 3000996 assembly can be found on sheet 2.

3001114: Standard Repair Kit			
ITEM	PART NO.	QTY.	DESCRIPTION
1	1000135	1	Decal, Warning P19L and P59L
4	10274	1	O-Ring (-115) 0.67 4ID X 0.103 Nitrile 70
8	11763	2	O-Ring (-333) 2.4715 ID X 0.210 Nitrile 70
9	12098	1	O-Ring (-013) 0.426 ID X 0.0070 Nitrile 70
14	2000332	5	Ring, Retaining P59L
20	251069	1	Retaining Ring
(See Sheet 2)	3001113	1	Head Repair Kit

Parts List continued



3000996

Sheet 2 of 3

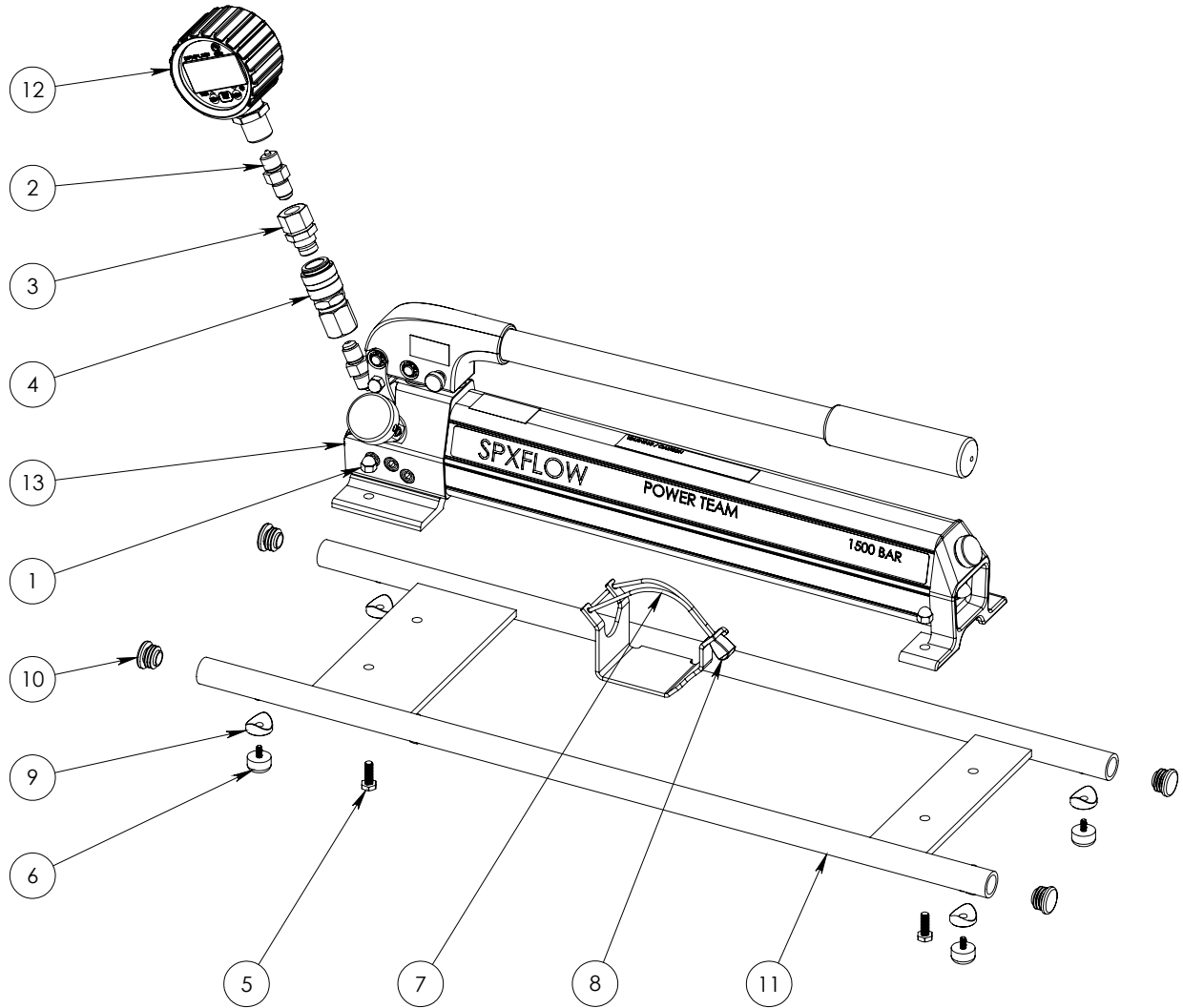
Parts List, Back Sheet 2 of 3

3001111: Release Valve Kit		
REFERENCE NO.	QTY.	DESCRIPTION
9	1	Copper Washer
16	1	Release Nut
17	1	Release Valve Screw
18	1	Steel Ball
19	1	Release Knob
25	1	O-Ring
31	1	Screw
32	1	Nut
33	1	Spring Pin

3001112: Relief Valves Kit		
REFERENCE NO.	QTY.	DESCRIPTION
4	1	Safety Valve
11	1	High Pressure Valve
29	1	Relief Valve Assembly

3001113: Head Repair Kit		
REFERENCE NO.	QTY.	DESCRIPTION
5	1	Spring
7	1	O-Ring
9	3	Copper Washer
10	1	Steel Ball
12	1	Steel Ball
13	1	Spring
18	4	Steel Ball
22	1	O-Ring
23	1	Back-Up Ring
25	1	O-Ring
27	1	O-Ring
28	1	Back-Up Ring

3001165: Piston Replacement Kit		
REFERENCE NO.	QTY.	DESCRIPTION
2	1	L.P. Piston
3	1	H.P. Piston
22	1	O-Ring
23	1	Back-Up Ring
26	1	Snap Ring
27	1	O-Ring
28	1	Back-Up Ring



P59L-1500G

Sheet 3 of 3

Parts List, Back Sheet 3 of 3

P59L-1500G Parts List			
ITEM	PART NO.	QTY.	DESCRIPTION
1	10486	4	Nut, Hex Acorn Cap 1/4-20
2	2001771	2	Fitting, 1/4"HPM x G1/4 120 DEG
3	2001772	1	Coupler, Male Quick Disconnect 150 MPA
4	2002277	1	Coupler, Female Quick Disconnect 150 MPA
5	2008274	4	Screw, 1/4-20UNC 0.75 in HHC-SS
6	2008609	4	Bumper with 8-32 Thread
7	2010187	1	Cord, Elastic 1/8 Diameter
8	2010188	1	Cord End, Plastic
9	2010226	4	Saddle Washer 7/8" O.D. .25" I.D.
10	2010227	4	Plug, 7/8 O.D. x .61-.70 I.D. Tube
11	3001104	1	Assembly, Skid Plate P59L-1500G with Inserts
12	9042DG1500	1	Gauge, Digital Pressure 21,700 PSI
13	P59L-1500	1	Pump, Hand/Hyd - 2 Speed, 1500 Bar

3001167: Skid Plate Assembly Kit			
ITEM	PART NO.	QTY.	DESCRIPTION
1	10486	4	Nut, Hex Acorn Cap 1/4-20
5	2008274	4	Screw, 1/4-20UNC 0.75 in HHC-SS
6	2008609	4	Bumper with 8-32 Thread
7	2010187	1	Cord, Elastic 1/8 Diameter
8	2010188	1	Cord End, Plastic
9	2010226	4	Saddle Washer 7/8" O.D. .25" I.D.
10	2010227	4	Plug, 7/8 O.D. x .61-.70 I.D. Tube
11	3001104	1	Assembly, Skid Plate P59L-1500G with Inserts

Refer to any operating instructions included with the product for detailed information about operation, testing, disassembly, reassembly, and preventative maintenance.

Items found in this parts list have been carefully tested and selected. **Therefore: Use only genuine Power Team replacement parts!**

Additional questions can be directed to our Technical Services Department.