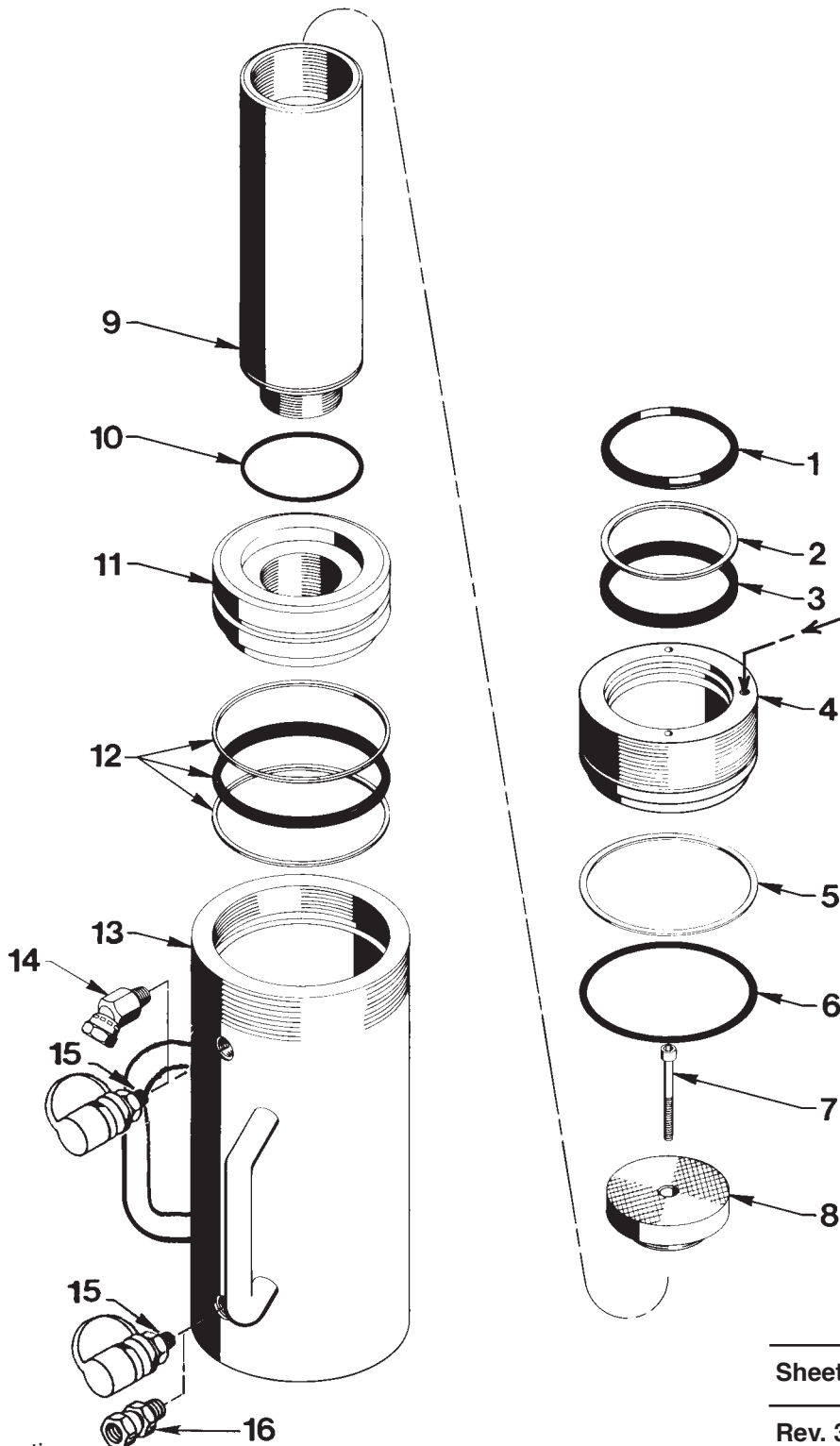


Parts List for:

51684
RD1506
RD15013

**DOUBLE-ACTING
HYDRAULIC CYLINDER**
Max. Capacity: 153.4 Tons at 10,000 PSI



**Double-acting
Cylinder
Relief Valve**

See important
! DANGER
statement
on back of
sheet 1 of 1

- ⚠ DANGER:** To help avoid possible serious personal injury or death,
- In the event that the cylinder retract port is ever restricted or plugged, a double-acting cylinder relief valve will help prevent excessive pressure from building in the cylinder. **DO NOT** attempt to adjust or service this relief valve! If oil leakage is detected from this relief valve, discontinue use of the cylinder immediately and contact Power Team or OTC Technical Services. Only Power Team or OTC Authorized Hydraulic Service Centers should service this relief valve.

Item No.	Part No.	No. Req'd	Description
1	*207497	1	Rod Wiper
2	*19349	1	Backup Washer (PTFE; 5" X 4 1/2 X .105)
3	*19293	1	U-cup
4	51312	1	Retainer Nut (Torque to 100ft. lbs.)
5	*19298	1	Backup Washer (PTFE; 6 1/4 X 6" X .048)
6	*13425	1	O-ring (6 1/4 X 6" X 1/8)
7	17816	1	Cap Screw (3/8-16 UNC X 3" Lg.)
8	38425	1	Serrated Insert
9	51313	1	Piston Rod (For RD1506)
	51314	1	Piston Rod (RD15013 & 51684)
10	*19295	1	O-ring (4 1/2 X 4 1/4 X 1/8)
11	51311	1	Piston Head (Use Loctite No. 277 when assembling Piston Head to Piston Rod [Item #9]. Torque to 200 ft. lbs.)
12	*19296	1	T-Seal & Backup Rings (Smooth side of Backup Ring must be against seal.)
13	51315	1	Cylinder Body (For RD1506)
	51316	1	Cylinder Body (RD15013 & 51684)
14	10648	1	45° Elbow Fitting (For 51684)
15	9796	2	Quick Coupler Ram Half w/Dust Cap (For RD1506 & RD15013)
16	10469	1	Straight Fitting (For 51684)

PARTS INCLUDED BUT NOT SHOWN

*37782	1	Warning Decal
204593	1	Trade Name Decal (For RD1506)
204594	1	Trade Name Decal (For RD15013)

Part numbers marked with an (*) asterisk are contained in Repair Kit No. 300007.

Refer to any operating instructions included with this product for detailed information about operation, testing, disassembly, reassembly, and preventive maintenance.

Items found in this parts list have been carefully tested and selected. **Therefore: Use only genuine replacement parts!**

Additional questions can be directed to our Technical Services Department.