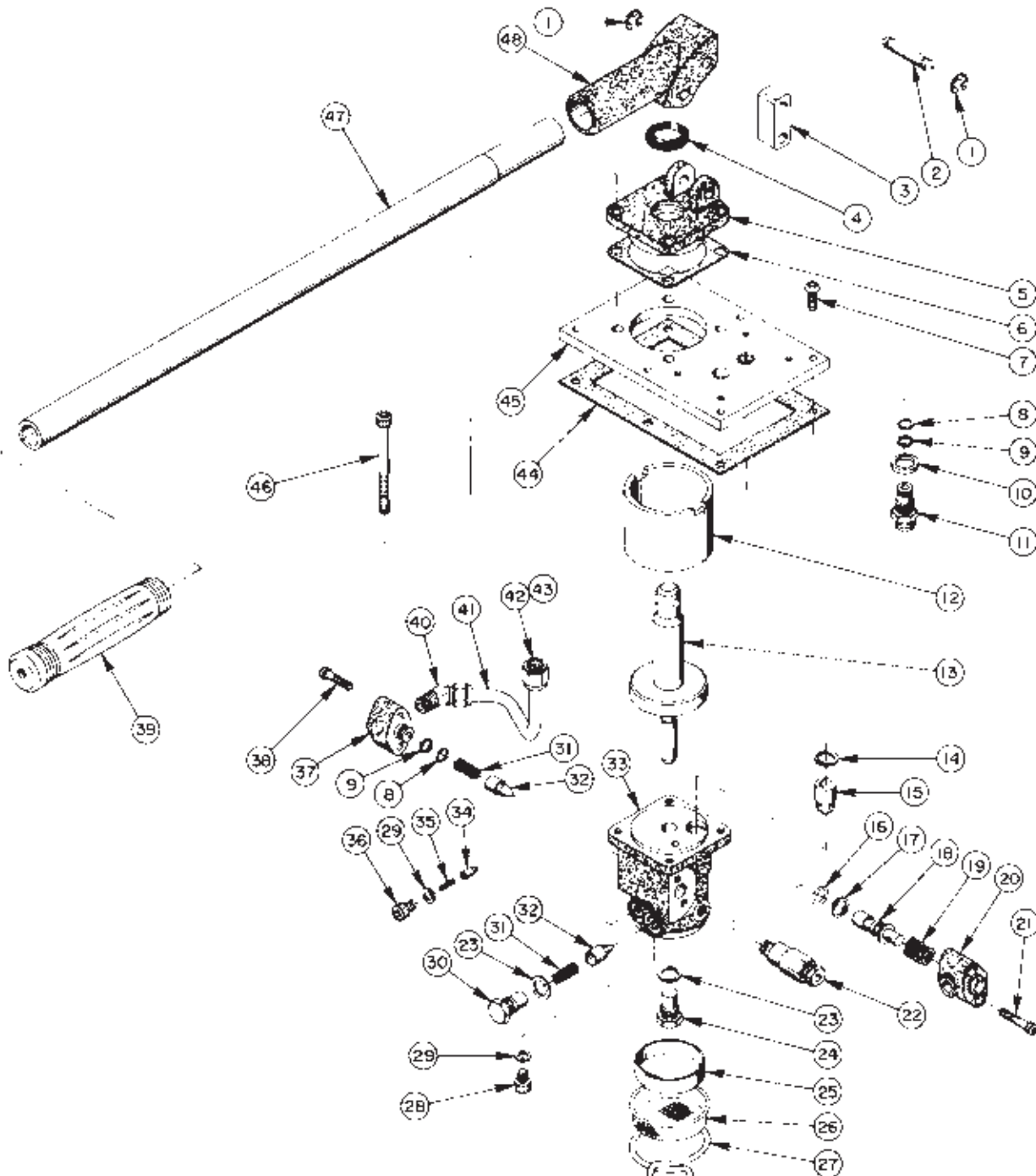


Parts List for:

4008	203039-RWI	P460D
4009	D01020AA	P462
50342	D01024AA	P462D
61137	P460	TM-29A Series
		Y29A Series

TWO-STAGE HYDRAULIC HAND PUMP BASIC PUMP ASSEMBLY



Parts List, Form No. 100390, Back sheet 1 of 2

Item No.	Part No.	No. Req'd	Description	Item No.	Part No.	No. Req'd	Description
1	11032	6	Retaining "E" Ring	24	21601	1	Plug (Torque to 245/255 in. lbs.)
2	21609	3	Clevis Pin	25	21846	1	Filter Support
3	21603	1	Pivot Block	26	*21608	1	Filter
4	*10306	1	Wiper Ring	27	11461	1	Clamp
5	21588	1	End Cap	28	11006	1	Soc. Hd. Cap Screw (Torque to 120/130 in. lbs.)
6	*22143	1	End Cap Gasket	29	*11031	2	Soft Copper Washer (15/32 x 5/16 x 1/32)
7	10177	6	Rd. Hd. Machine Screw (1/4-20 UNC x 3/4 Lg.; Torque to 30/40 in. lbs.)	30	21599	1	Cap Screw (Torque to 245/255 in. lbs.)
8	*10268	2	O-ring (1/2 x 3/8 x 1/16)	31	*11026	2	Compression Spring (3/8 O.D. x 1" Lg.)
9	*11863	2	Backup Washer (1/2 x 3/8 x 1/16)	32	20771	2	Poppet
10	21484	1	Spacer	33	50066	1	Pump Body
11	20787	1	Valve Connector	34	21062	1	Poppet
12	21604	1	Cylinder	35	*10445	1	Compression Spring (5/32 O.D. x 3/4 Lg.)
13	30705	1	Piston	36	21600	1	Cap Screw (5/16-18 UNC x 3/8 Lg.; Torque to 120/130 in. lbs.)
14	*11033	1	Retaining Ring	37	21596	1	Connector Cap
15	21598	1	Poppet	38	10016	2	Soc. Hd. Cap Screw (1/4-20 UNC x 1" Lg.; Torque to 155/165 in. lbs.)
16	*10271	1	O-ring (11/16 x 1/2 x 3/32)	39	11390	1	Flex Grip Handle
17	*12389	1	PTFE Backup Washer (11/16 x 1/2 x 1/16)	40	10655	1	45° Elbow
18	21597	1	Spool	41	21663	1	Oil Line
19	*11027	1	Compression Spring (3/4 O.D. x 7/8 Lg.)	42	10430	1	Sleeve
20	21595	1	Cap	43	10431	1	Nut (5/8-18 UNF)
21	10020	2	Soc. Hd. Cap Screw (1/4-20 UNC x 1-1/4 Lg.; Torque to 155/165 in. lbs.)	44	*30709	1	Cover Plate Gasket
22	21278	1	Relief Valve Assembly (Set at 10,000 PSI)	45	30702	1	Cover Plate
	21278-45	1	Relief Valve Assembly (Set at 4600 PSI; For 203039-RWI)	46	11030	4	Soc. Hd. Cap Screw (5/16-18 x 3-1/2 Lg.; Torque to 240 250 in. lbs.)
	22067	1	Relief Valve Assembly (Set at 15,000 PSI; For 50342 only)	47	30708	1	Handle
23	*10261	2	Soft Copper Washer (3/4 x 19/32 x 1/32)	48	30701	1	Lever

Part numbers marked with an asterisk (*) are contained in Repair Kit No. 300138.

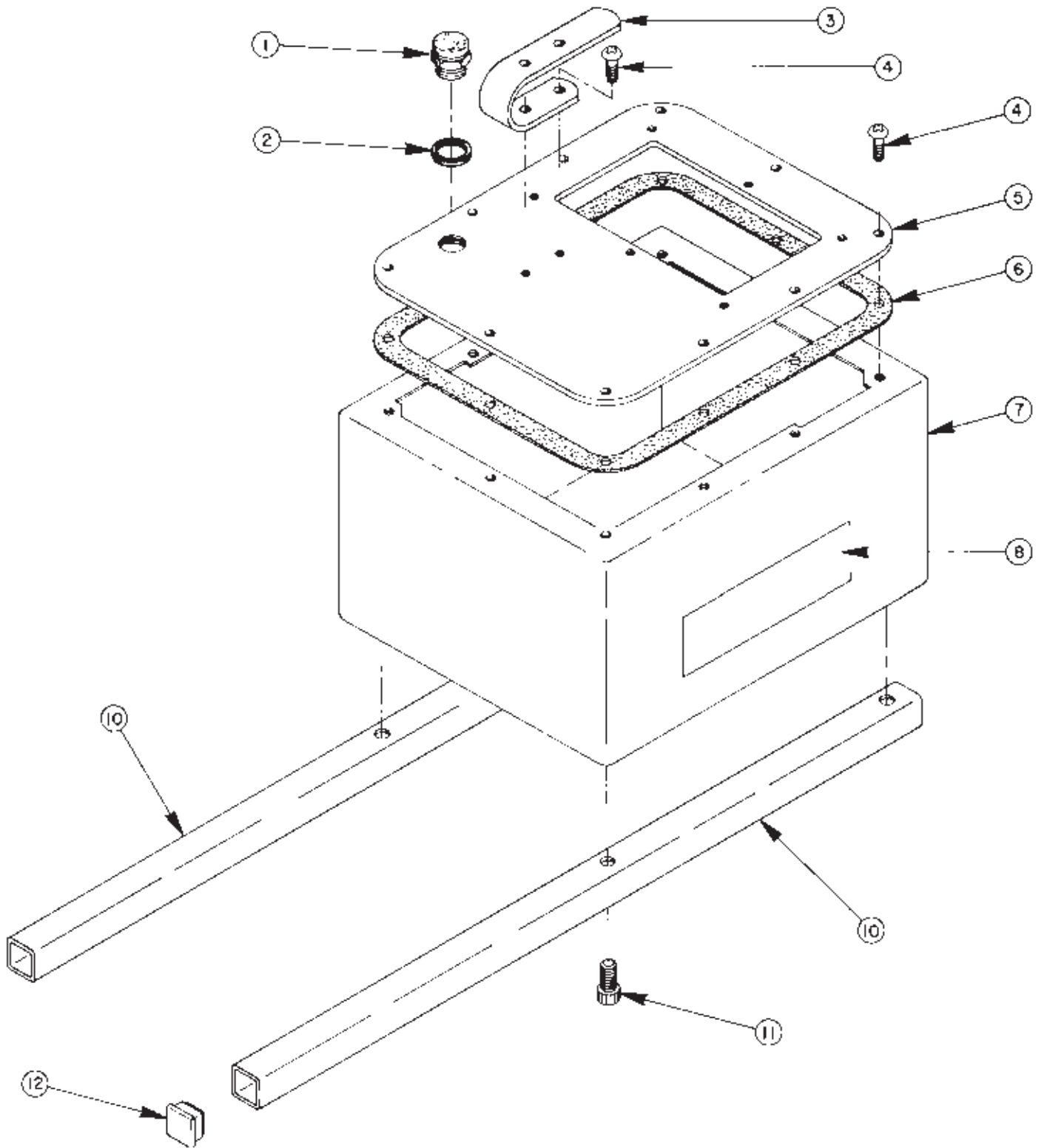
Note: For a piston replacement repair kit, order #300999.

Refer to any operating instructions included with this product for detailed information about operation, testing, disassembly, reassembly, and preventive maintenance.

Items found in this parts list have been carefully tested and selected. **Therefore: Use only genuine replacement parts!**

Additional questions can be directed to our Technical Services Department.

TWO GALLON RESERVOIR ASSEMBLY



Parts List, Form No. 100390, Back sheet 2 of 2

Item No.	Part No.	No. Req'd	Description
1	20937-1	1	Filler/Vent Cap
2	200415	1	Rubber Seal
3	24066	1	Handle
4	10177	12	Machine Screw (1/4-20 UNC x 3/4 Lg.)
5	41810WH2	1	Cover Plate
6	40164	1	Cover Gasket
7	40063BL2	1	Reservoir (Y29A Series, 4008, 4009, & 50342)
	40063GO7	1	Reservoir (TM-29A Series)
	40063OR9	1	Reservoir (P460, P460D, P462, & P462D)
	40063BR13	1	Reservoir (D01020AA & D01024AA)
8	15452	2	Trade Name Decal (Y29A Series, 4008, & 4009)
	201928	2	Trade Name Decal (TM-29A Series)
	309219	2	Trade Name Decal (P460, P460D, P462, & P462D)
	201827	2	Trade Name Decal (D01020AA & D01024AA)
9	19624	4	Thread Insert
10	31799	2	Support Tube
11	10464	4	Soc. Hd. Cap Screw (3/8-16 UNC x 3/4 Lg.)
12	12126	4	Plastic Tube Insert

PARTS INCLUDED BUT NOT SHOWN

12750 1 Gauge, 0-20,000 PSI (50342 only)

OPTIONAL VALVES

30740 1 3-Way Manual Valve (See Form No. 100389)

31094 1 4-Way Manual Valve (See Form No. 100388)