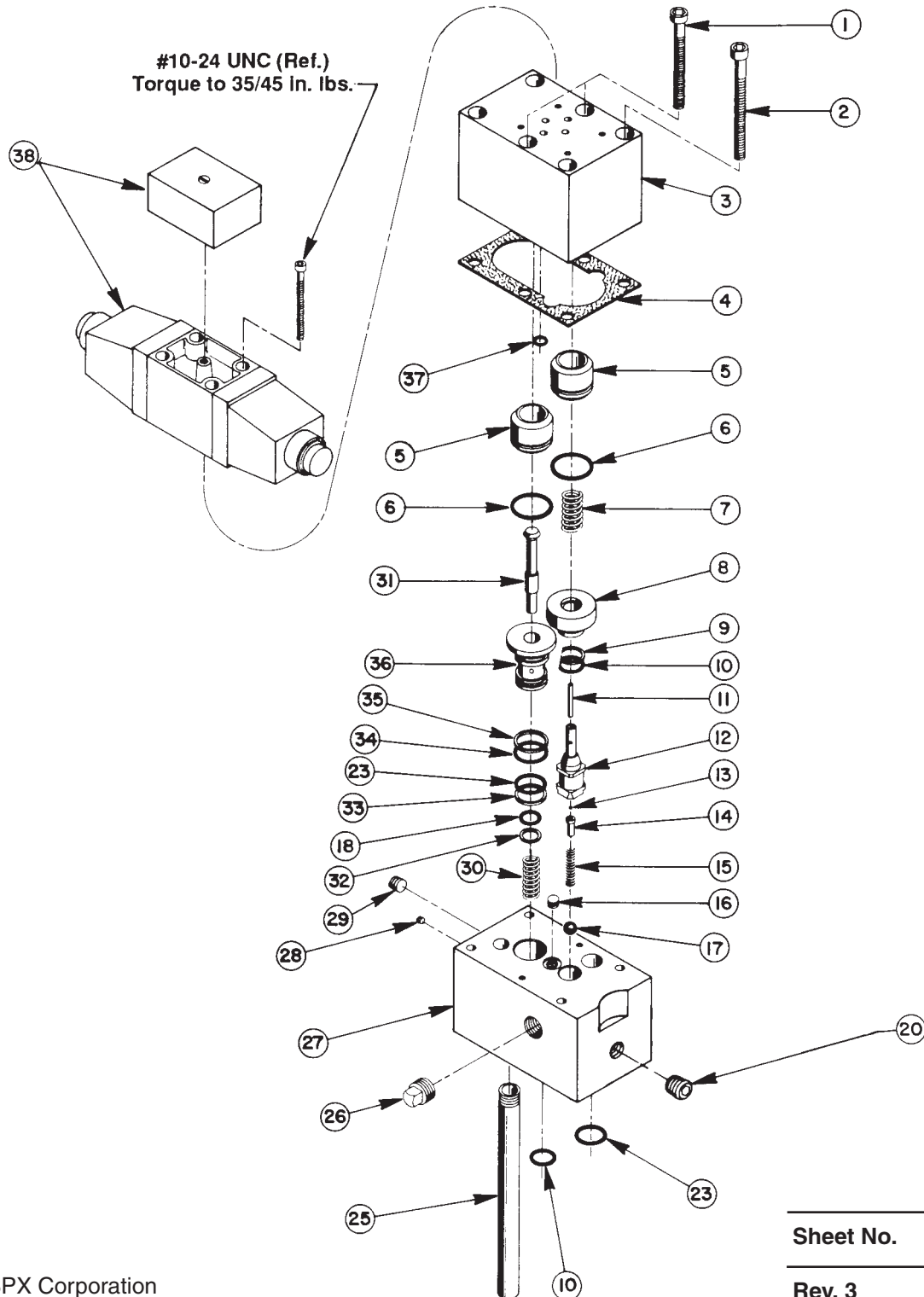


Parts List for:

9599
9605
V33S
Y-41825 Series

**3 POSITION, 3-WAY, SOLENOID CONTROLLED, PILOT OPERATED
DIRECTIONAL VALVE**
Max. Capacity: 10,000 PSI



Parts List, Form No. 100422, Back sheet 1 of 2

Item No.	Part No.	No. Req'd	Description
1	10856	2	Cap Screw (1/4-20 UNC X 2-1/2 Lg.; Torque to 110/120 in. lbs.) Note: When using this valve on a PE30 Series pump order (4) 11956 Cap Screws for mounting valve to pump.
2	11956	4	Cap Screw (1/4-20 UNC X 3" Lg.; Torque to 70/80 in. lbs.) Note: When using this valve on a PE30 Series pump order (4) 17428 Cap Screws for mounting valve to pump.
3	50733	1	Top Cap
4	35544	1	Gasket
5	200597	2	Piston
6	10304	2	O-ring (1" X 7/8 X 1/16)
7	11195	1	Compression Spring (1/2 O.D. X 3/4 Lg.)
8	200607	1	Check Poppet
9	12390	1	Backup Washer (5/8 X 1/2 X 3/64)
10	10301	2	O-ring (5/8 X 1/2 X 1/16)
11	15606	1	Dowel Pin (1/16 dia. X 1" Lg.)
12	35432	1	Check Poppet
13	14443	1	Steel Ball (3/32 dia.)
14	200602	1	Ball Stop
15	10361	1	Compression Spring (1/4 O.D. X 1" Lg.)
16	15499	1	Level Seal Pipe Plug
17	10378	1	Steel Ball (3/8 dia.)
18	10268	1	O-ring (1/2 X 3/8 X 1/16)
20	10479	1	Pipe Plug (1/4 NPTF)
23	10302	2	O-ring (3/4 X 5/8 X 1/16)
25	200609	1	Drain Tube
26	13273	1	Plastic Pipe Plug
27	50724	1	Valve Body
28	11084	1	Pipe Plug (1/16 NPTF)
29	10427	1	Pipe Plug (1/8 NPTF)
30	14484	1	Compression Spring (3/8 O.D. X 1" Lg.)
31	200542	1	Poppet Half
32	11863	1	Backup Washer (1/2 X 3/8 X 1/16)
33	12392	1	Backup Washer (3/4 X 5/8 X 1/16)
34	12549	1	O-ring (13/16 X 11/16 X 1/16)
35	16202	1	Backup Washer (13/16 X 11/16 X .048)
36	35435	1	Bushing
37	10266	1	O-ring (3/8 X 1/4 X 1/16)
38	15643-1	1	Solenoid (115 Volt/50/60 Cycle -- Used on Y-41825 Series & 9605)
	15643-4	1	Solenoid (24 Volt/50/60 Cycle -- Used on V33S & 9599)

PARTS INCLUDED BUT NOT SHOWN

202523	1	Trade Name Decal (For V33S)
203523	1	Patent Decal
209099	1	Corporate Decal (For 9605)
208414	1	Corporate Decal

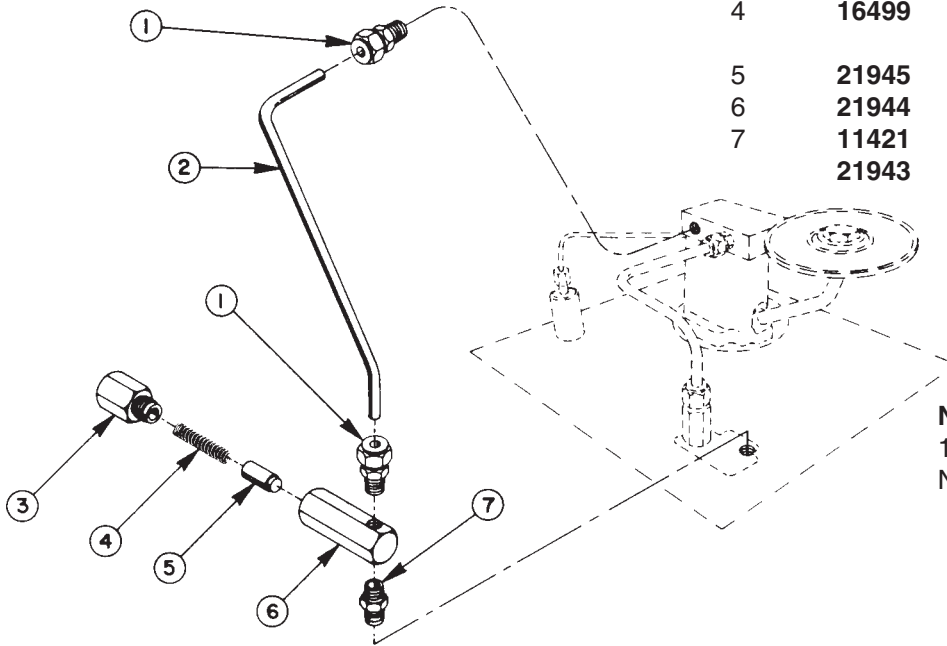
Refer to any operating instructions included with this product for detailed information about operation, testing, disassembly, reassembly, and preventive maintenance.

Items found in this parts list have been carefully tested and selected. **Therefore: Use only genuine replacement parts!**

Additional questions can be directed to our Technical Services Department.

PILOT OIL LINE/ ACCUMULATOR ASSEMBLY FOR PQ20 SERIES PUMPS

Item No.	Part No.	No. Req'd	Description
1	11173	2	Connector
2	36754	1	Oil Line
3	202121	1	Spring Retainer (Torque to 50/70 in.lbs.)
4	16499	1	Compression Spring (1/4 O.D. X 2-3/16 Lg.)
5	21945	1	Plunger
6	21944	1	Cylinder Body
7	11421	1	Pipe Nipple
	21943	1	Accumulator Ass'y (Consists of items 3, 4, 5, & 6)

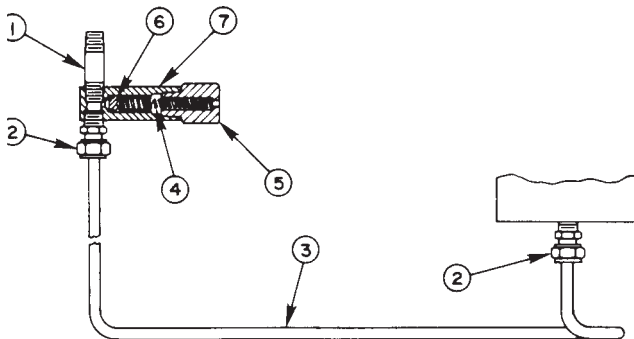


NOTE: The above parts are included with 9599, 9605 & V33S.

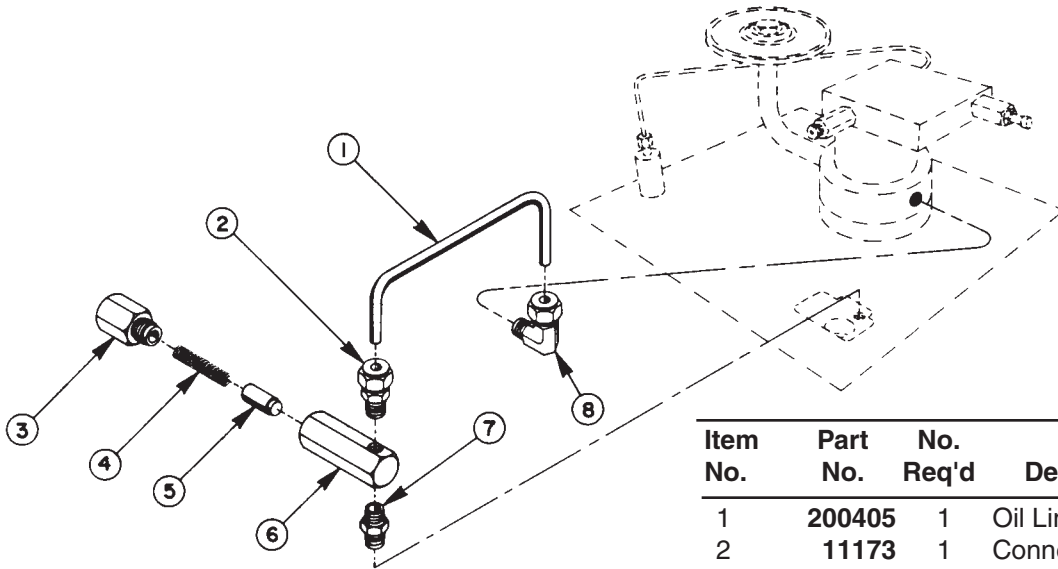
NOTE: For installation instructions on 16669 Check Valve Spring, see Form No. 102435.

FOR PE200 & PE400 SERIES PUMPS

Item No.	Part No.	No. Req'd	Description
1	11421	1	Nipple
2	15061	2	Connector
3	44303	1	Oil Line
4	16499	1	Compression Spring (1/4 O.D. X 2-3/16 Lg.)
5	202121	1	Spring Retainer (Torque to 50/70 in. lbs.)
6	21945	1	Plunger
7	21944	1	Cylinder Body
	21943	1	Accumulator Ass'y (Consists of items 4, 5, 6 & 7)



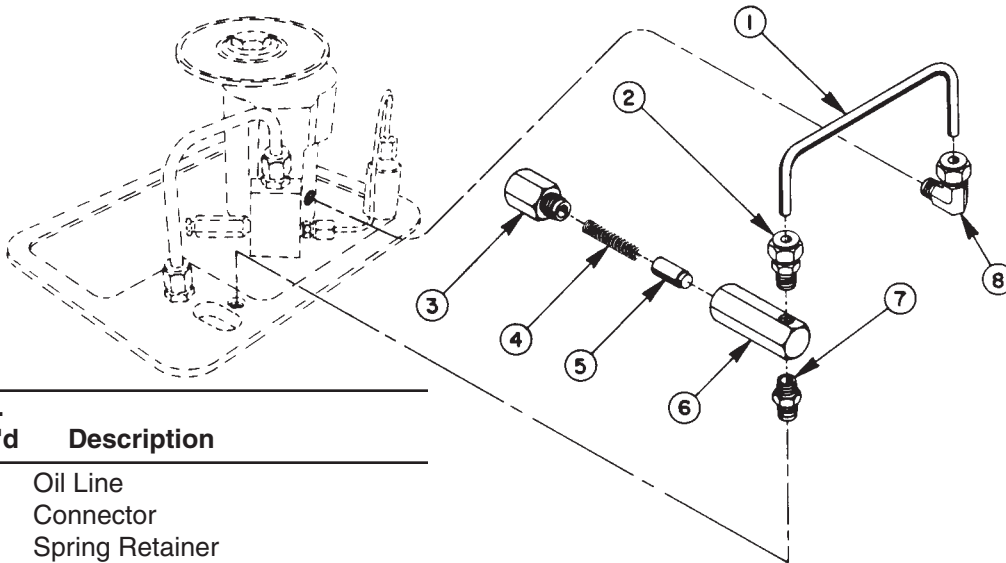
**PILOT OIL LINE/ACCUMULATOR ASSEMBLY CONT.
FOR PQ60 & PQ120 SERIES PUMPS**



Item No.	Part No.	No. Req'd	Description
1	200405	1	Oil Line
2	11173	1	Connector
3	202121	1	Spring Retainer (Torque to 50/70 in. lbs.)
4	16499	1	Compression Spring (1/4 O.D. X 2-3/16 Lg.)
5	21945	1	Plunger
6	21944	1	Cylinder Body
7	11421	1	Pipe Nipple
8	11278	1	Connector
	21943	1	Accumulator Ass'y (Consists of items 3, 4, 5, & 6)

NOTE: These parts are included with 9599, 9605 & V33S.

FOR Y26, Y60, Y70, PE55, PE90 & PE120 SERIES PUMPS



Item No.	Part No.	No. Req'd	Description
1	22746	1	Oil Line
2	11173	1	Connector
3	202121	1	Spring Retainer (Torque to 50/70 in. lbs.)
4	16499	1	Compression Spring (1/4 O.D. X 2-3/16 Lg.)
5	21945	1	Plunger
6	21944	1	Cylinder Body
7	11421	1	Pipe Nipple
8	11278	1	Connector
	22747	1	Pilot Oil Line/Accumulator Ass'y (Consists of items 1 through 8)
	21943	1	Accumulator Ass'y (Consists of items 3, 4, 5, & 6)

NOTE: These parts are included with 9605, 9599 & Y-41825 Series.

NOTE: For installation instructions on 10362 Check Valve Spring, see Form No. 102435.