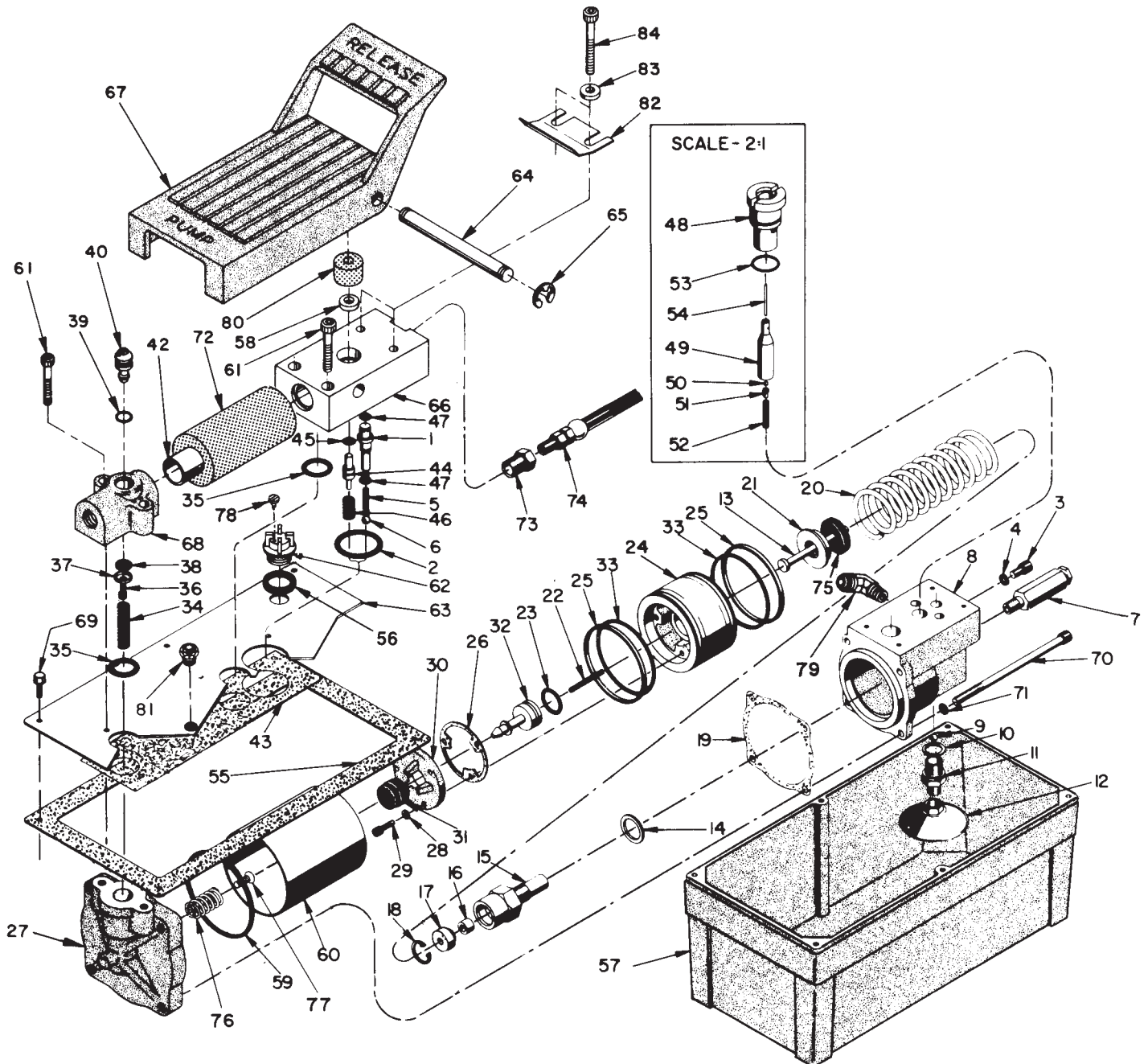


Parts List for:

4020	203398	HA6	Y12
4022	203637-IMT	P131-10	Y12-HKP
50621	203641-HKP	PA4	Y13
201641	203641-LOT	PA6	Y13-
201641-3M	203641-OTC	PA6-2	CELETTE
201641-GRC	D-01021-AA	TO-9	Y13-FACOM

**MODEL C**  
**AIR HYDRAULIC PUMP**  
FOOT/HAND OPERATED  
Max. Capacity: 10,000 PSI



# Parts List, Form No. 100424, Back sheet 1 of 2

Item No.	Part No.	No. Req'd	Description	Item No.	Part No.	No. Req'd	Description
1	34378	1	Check Valve Body	32	33845	1	Exhaust Valve Stem
2	*251215	1	O-ring (1.494 x 1.212 x .141)	33	*251835	2	O-ring (2-1/2" X 2-5/16" X 3/32)
3	10002	1	Cap Screw (1/4-20 UNC X 3/8 Lg.)	34	*12691	1	Compression Spring (3/8 O.D. X 1 1/2 Lg.)
4	*10442	1	Copper Washer	35	*251214	2	O-ring (1.002 x .720 x .141)
5	*10445	1	Compression Spring (5/32 O.D. X 3/4 Lg.)	36	13936	1	Soc. Hd. Cap Screw (8-32 UNC X 1/4 Lg.)
6	*10423	1	Steel Ball (9/32 Dia.)	37	28198	1	Seal Guide
7	21278	1	Relief Valve Ass'y - 10,000 PSI (See sheet 2 of 2; 2gal. res. version also use 13229 Street Elbow)	38	*28182	1	Air Valve Poppet
	21278-70	1	Relief Valve Ass'y - 7,000 PSI (For 203641-HKP; see sheet 2 of 2)	39	*10267	1	O-ring (7/16 X 5/16 X 1/16)
	21278-83	1	Relief Valve Ass'y - 8300 PSI (For TO-9; see sheet 2 of 2)	40	33841	1	Actuator Button
	21278-86	1	Relief Valve Ass'y - 8600 PSI (For 50621; see sheet 2 of 2)	42	28387	1	Muffler
	21278-50	1	Relief Valve Ass'y - 5000 PSI (For 203641-LOT; see sheet 2 of 2)	43	*34283	1	Gasket
	21278-48	1	Relief Valve Ass'y - 4800 PSI (For 201641-3M; see sheet 2 of 2)	44	28227	1	Release Valve Button
8	50494	1	Pump Body	45	*10266	1	O-ring (3/8 X 1/4 X 1/16)
9	*10375	1	Steel Ball (1/4 Dia.)	46	*13944	1	Compression Spring
	10423	1	Steel Ball (9/32 Dia.)	47	*12522	2	O-ring Disogrin (3/8 X 1/4 X 1/16)
10	*10261	1	Copper Washer	48	†34377	1	Poppet Retainer
11	33848	1	Filter Adapter, Short (Torque to 40/45 ft. lbs. oiled)	49	†29037	1	Release Valve Poppet
	37722	1	Filter Adapter, Long (Used with 2 gal. res; torque to 30/40 ft. lbs. oiled)	50	†*14443	1	Steel Ball (3/32 Dia.)
12	27680	1	Filter Assembly (Used with 2 gal. res.)	51	†28987	1	Ball Retainer
	29682	1	Filter Assembly (Used with 2 gal. res.)	52	†*13959	1	Compression Spring (1/8 O.D. x 1/2 Lg.)
13	28226	1	Piston	53	†*13943	1	O-ring, Disogrin (1/2 X 3/8 X 1/16)
14	*10263	1	Copper Washer	54	†*13937	1	Dowel Pin
15	33847	1	Cylinder (Torque to 90/100 ft. lbs. oiled)	55	*33853	1	Reservoir Gasket (For 2 gal. reservoir gasket see sheet 2 of 2)
16	*13934	1	U-cup	56	*200415	1	Rubber Gasket
17	28224	1	Retainer	57	41300BL2	1	Reservoir (For Y12, Y13, P131-10, 201641, TO-9, 201641-3M, 4020)
18	*11034	1	Retaining Ring		41300BL6	1	Reservoir (For 203641-HKP)
19	*28979	1	Gasket		41300BL9	1	Reservoir (For 20367-IMT)
20	*13938	1	Compression Spring (1.452 O.D. X 4-7/16" Lg.)		41300WH2	1	Reservoir (For 203398)
21	28222	1	Spring Guide		41300RE2	1	Reservoir (For Y13-FACOM, Y12-HKP)
22	*12692	1	Spring		41300RE7	1	Reservoir (For Y13-CELLETE)
23	*211052	1	O-ring (.900 X .706 X .097)		41300RE18	1	Reservoir (For 201641-GRC)
24	33824	1	Piston Body		41300BR13	1	Reservoir (For D-01021AA)
25	*14265	2	Piston Ring		41633RE10	1	Reservoir (For HA6)
26	*28239	1	Gasket		41633BL2	1	Reservoir (For 50621)
27	51480	1	Rear Head		41633OR9	1	Reservoir (For PA4, PA6)
28	10241	3	Lockwasher		-	1	Reservoir, 2 Gal. (See sheet 2 of 2)
29	11434	3	Soc. Hd. Cap Screw (10-24 UNC X 1/2 Lg.; Torque to 50/55 lbs.)	58	*15620	1	Shaft Seal
30	33822	1	Piston End Plate	59	*17429	1	Backup Ring
31	*28183	1	Piston Poppet	60	37434	1	Air Cylinder (Locate groove toward top near cover plate)
				61	11151	4	Soc. Hd. Cap Screw (10-24 UNC X 1-1/4" Lg.)
				62	*20937S	1	Filler Plug (Includes Item #56)
				63	44027WH2	1	Cover Plate (For 2 gal, reservoir cover plate see sheet 2 of 2)

Continued -

Item No.	Part No.	No. Req'd	Description	Item No.	Part No.	No. Req'd	Description
64	28386	1	Pin	83	206857	2	Washer
65	11032	2	Retaining Ring	84	11435	2	Soc. Hd. Cap Screw (10-24 UNC X 1-3/4" Lg.)
66	51762	1	Release Valve Body	<b>MISC. DECALS INCLUDED BUT NOT SHOWN</b>			
67	41322	1	Foot Pedal				
	43102	1	Foot Pedal (For Y13-FACOM)				
68	33843	1	Intake Air Valve Body				
	37199	1	Intake Air Valve Body (For Y-12, 4020, 4022, PA6, 203641-IMT, 203641-HKP, 203641-LOT)				
69	14456	6	Screw (#10-24 X 1/2 Lg.; Torque to 25/30 in. lbs.)				
70	17428	4	Soc. Hd. Cap Screw (1/4-20 UNC X 3-1/2" Lg.; Torque to 90/100 in. lbs. oiled. <b>Note:</b> Cross torque in increments of 50 in. lbs.)				
71	15823	4	Lockwasher				
72	*29992	1	Foam Tube				
73	13888	1	Bushing (For 203637-IMT only)				
74	36887	1	Hose Ass'y (For 203637-IMT only)				
	36886	1	Hose Ass'y (For 50621)				
75	203143	1	Bumper (For 203641-HKP, 203641-LOT, 203641-OTC, 203641-LOT, Y12, 4020, 4022)				
76	*205679	1	Spring				
77	*205674	1	Cap Screw (8-32 UNC X 3/8 Lg.: Torque to 12/18 in. lbs.)				
78	206333	1	Self-Tapping Screw				
79	12162	1	Elbow				
80	*206504	1	Foam Tube				
81	18317	1	Relief Valve Fitting (Torque to 75/80 in. lbs.)				
82	302466	1	Spring Clip (Not supplied with al models)				
					*14350	1	Caution Decal
					*15411	1	Patent Decal
					206172	1	Venting Decal
					13725	2	Trade Name Decal (For P131-10)
					206415	2	Trade Name Decal (For Y12)
					302065	2	Trade Name Decal (For Y12, 4020, 4022)
					14119	2	Trade Name Decal (For Y13, 201641, 201641-3M, 50621)
					201826	1	Trade Name Decal (For D-01021-AA)
					202151	2	Trade Name Decal (For PA4)
					206199	2	Trade Name Decal (For PA6 & PA6-2)
					14716	2	Trade Name Decal (For 203641-OTC, 203637-IMT)
					11485	2	Trade Name Decal (For TO-9)
					16277	1	Trade Name Decal (For 201641-GRC)
					14408	1	Trade Name Decal (For 203641-HKP)
					210854	2	Trade Name Decal (For HA6)
					206137	1	Part No. & Trade Name Decal (For 203398)

**NOTE:** Part numbers marked with an asterisk (\*) are included in Repair Kit No. 300132.  
Part numbers marked with a dagger (†) are included in Release Valve Repair Kit No. 200383.

Refer to any operating instructions included with this product for detailed information about operation, testing, disassembly, reassembly, and preventive maintenance.

Items found in this parts list have been carefully tested and selected. **Therefore: Use only genuine replacement parts!**

Additional questions can be directed to our Technical Services Department.

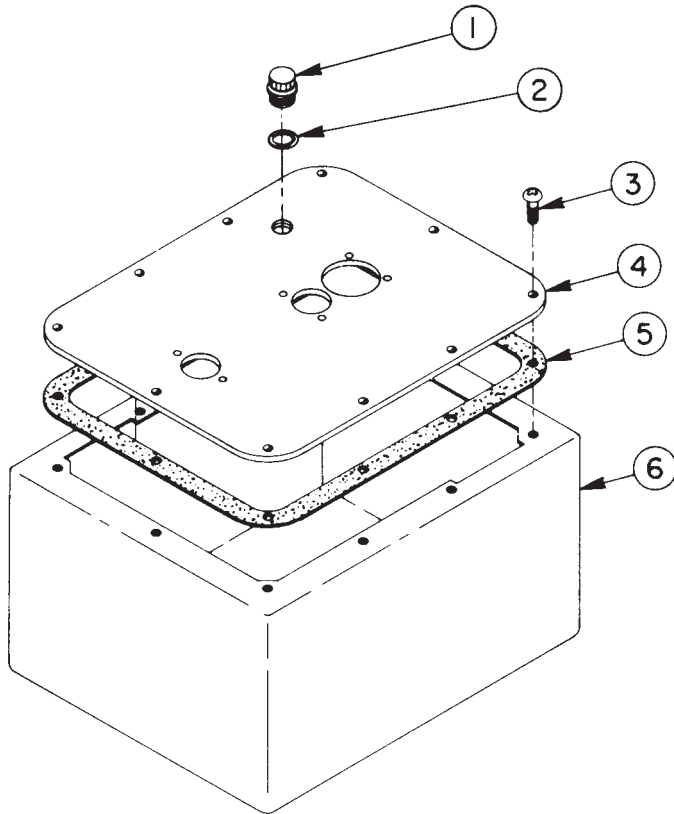
## TWO GALLON RESERVOIR ASSEMBLY

**NOTE:** For complete 2 Gal. Reservoir Ass'y., order the following:

**RP20** -- Power Team

**207436** -- OTC

These no.'s. include the following parts listed below.

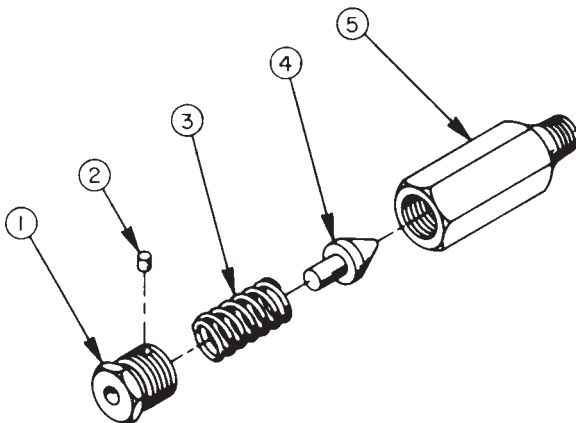


Item No.	Part No.	No. Req'd	Description
1	24132	1	Filler Cap
2	17120	1	O-ring (3/4 X 1/2 X 1/8)
3	10177	10	Mach. Screw
4	51031WH2	1	Cover Plate
5	40164	1	Cover Plate Gasket
6	40063PR3	1	Reservoir (For 203641-OTC only)
	40063BL2	1	Reservoir (For 207436, 4022)
	40063OR9	1	Reservoir (For RP20 & PA6-2)

### PARTS INCLUDED BUT NOT SHOWN

	10423	1	Steel Ball (9/32 Dia.)
	37722	1	Filter Adapter (Long)
	29682	1	Filter Ass'y.
	12204	1	Decal (Venting)
	13229	1	Street Elbow (Used with Relief Valve)
	304101	2	Trade Name Decal (For 4022)

## RELIEF VALVE ASSEMBLY



Item No.	Part No.	No. Req'd	Description
1	24471	1	Adjusting Plug
2	24463	1	Insert (Nylock)
3	10428	1	Spring
	207495	1	Spring (For 21278-48 only)
4	21046	1	Cone
5	21286	1	Valve Body