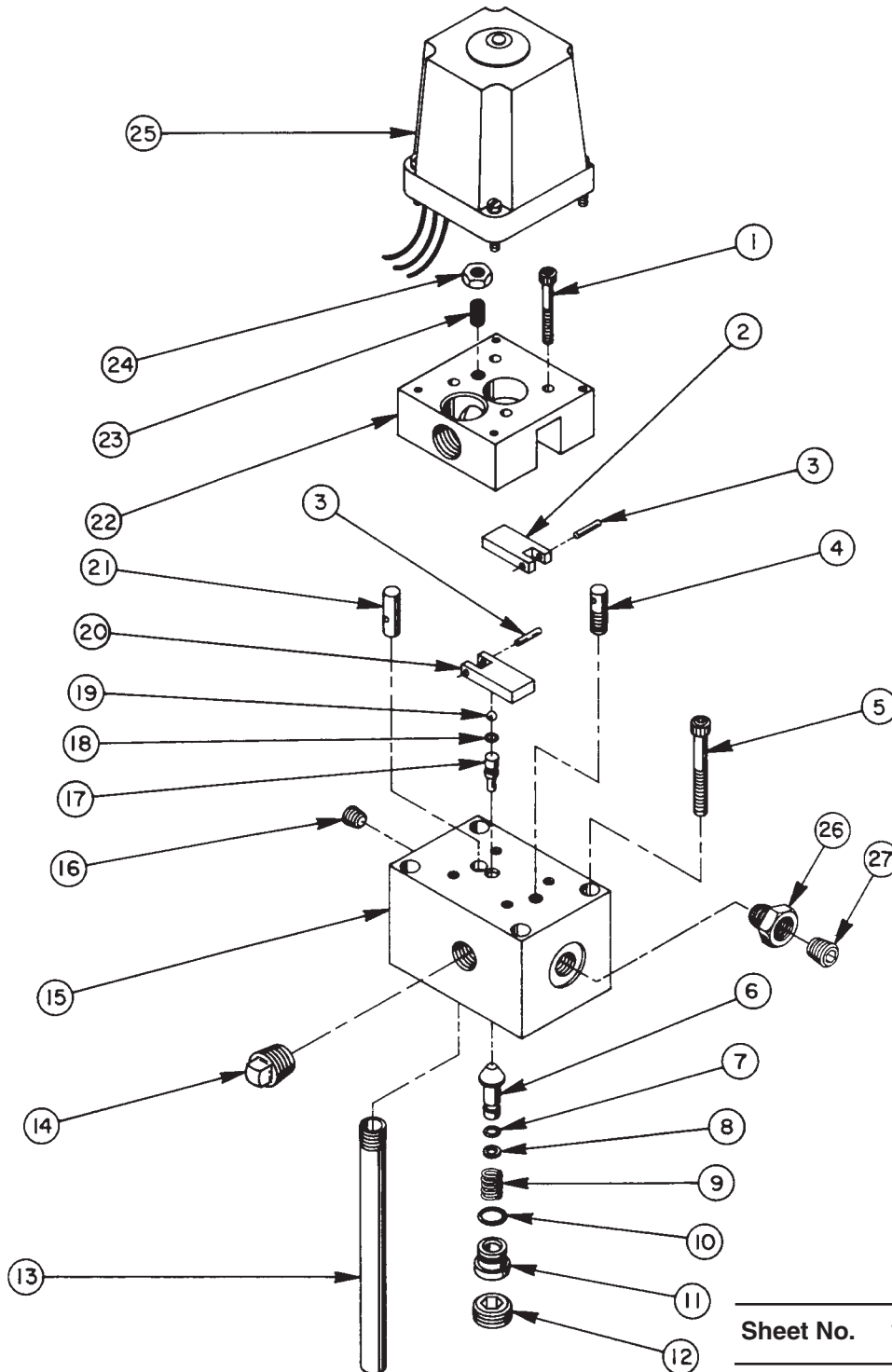


Parts List for:

9569	44084
9570	44084-200
9579	46365
42621	V23S
42621-90	421355

**TWO POSITION, 3-WAY - SOLENOID CONTROLLED
DIRECTIONAL VALVE**
Max. Capacity: 10,000 PSI



Parts List, Form No. 100445, Back sheet 1 of 2

Item No.	Part No.	No. Req'd	Description
1	12650	4	Soc. Hd. Cap Screw (Torque to 35/40 in. lbs.)
2	203102	1	Lever (Upper)
3	17026	2	Dowel Pin
4	203100	1	Threaded Pin
5	10890	4	Soc. Hd. Cap Screw (1/4-20 X 2" Lg.; Note: When using this valve on a PE30 Series pump order (4) 10856 Screw for mounting valve to pump.)
6	*203106	1	Poppet (NOTE: Apply NAPA Anti-seize #7651150 [spray] or Permatex #133K [paste] or Bravo Type 13 [paste] to poppet stem.)
7	*10265	1	O-ring (5/16 X 3/16 X 1/16; Nitrile)
	11437	1	O-ring (5/16 X 3/16 X 1/16; Viton)
	17714	1	O-ring (5/16 X 3/16 X 1/16; EPR)
8	*15174	1	Backup Washer (5/16 X 3/16 X 3/64)
9	*17033	1	Compression Spring (.480 O.D. X 5/8 Lg.)
10	*15292	1	O-ring (9/16 X 7/16 X 1/16; Disogrin)
	18975	1	O-ring (9/16 X 7/16 X 1/16; Viton)
	250136	1	O-ring (9/16 X 7/16 X 1/16; EPR)
11	*203105	1	Guide
12	17055	1	Soc. Jam Screw (Torque to 225/250 in. lbs.)
13	200609	1	Drain Line
14	11127	1	Pressure Plug
15	51025	1	Body
	52430	1	Body - Special (For part no. 61253)
	58835	1	Body - Special (For 421355)
16	10427	1	Pipe Plug (1/8 NPTF)
17	*203104	1	Stem
18	*10264	1	O-ring (1/4 X 1/8 X 1/16; Nitrile)
	12388	1	O-ring (1/4 X 1/8 X 1/16; Viton)
	17713	1	O-ring (1/4 X 1/8 X 1/16; EPR)
19	12223	1	Ball (3/16 dia.)
20	203103	1	Lever (Lower)
21	203101	1	Pin
22	421452	1	Linkage Block
23	10138	1	Set Screw
24	10199	1	Nut (1/4-20 UNC: Torque to 60/80 in. lbs.)
25	17027-1	1	Solenoid (115 V., 50/60 Hz. - For V23S, 42621 & 9579)
	17027-2	1	Solenoid (220/230 V., 50/60 Hz. - For 44084 & 9570)
	306560	1	Solenoid (24 V., 50/60 Hz. - For 9569 & 46365)
	350379	1	Solenoid (200 V., 50/60 Hz. - For 61809-200)
	351058	1	Solenoid (90V., 50/60 Hz. - For 42621-90)
26	10676	1	Straight Fitting
27	10479	1	Pipe Plug (1/4 NPTF)

PARTS INCLUDED BUT NOT SHOWN

209064	1	Corporate Decal (For 9579)
212413	1	Corporate Decal (For 9569)
251402	1	Corporate Decal (For 9570)

Part numbers marked with an (*) asterisk are included in Repair Kit No. 300605.

Refer to any operating instructions included with this product for detailed information about operation, testing, disassembly, reassembly, and preventive maintenance.

Items found in this parts list have been carefully tested and selected. **Therefore: Use only genuine replacement parts!**

Additional questions can be directed to our Technical Services Department.

SPECIFICATIONS

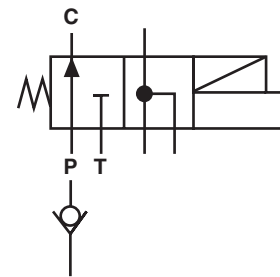
This is a pump-mounted, solenoid-operated, two-position, 3-way valve. The valve has ADVANCE and RETURN positions.

Note: Work is held when pump is stopped with solenoid de-energized. (Oil is held at outlet check in pump and at release poppet check in the valve.)

Advance: By running pump with solenoid de-energized. (Pump flow enters and goes directly to the cylinder port.)

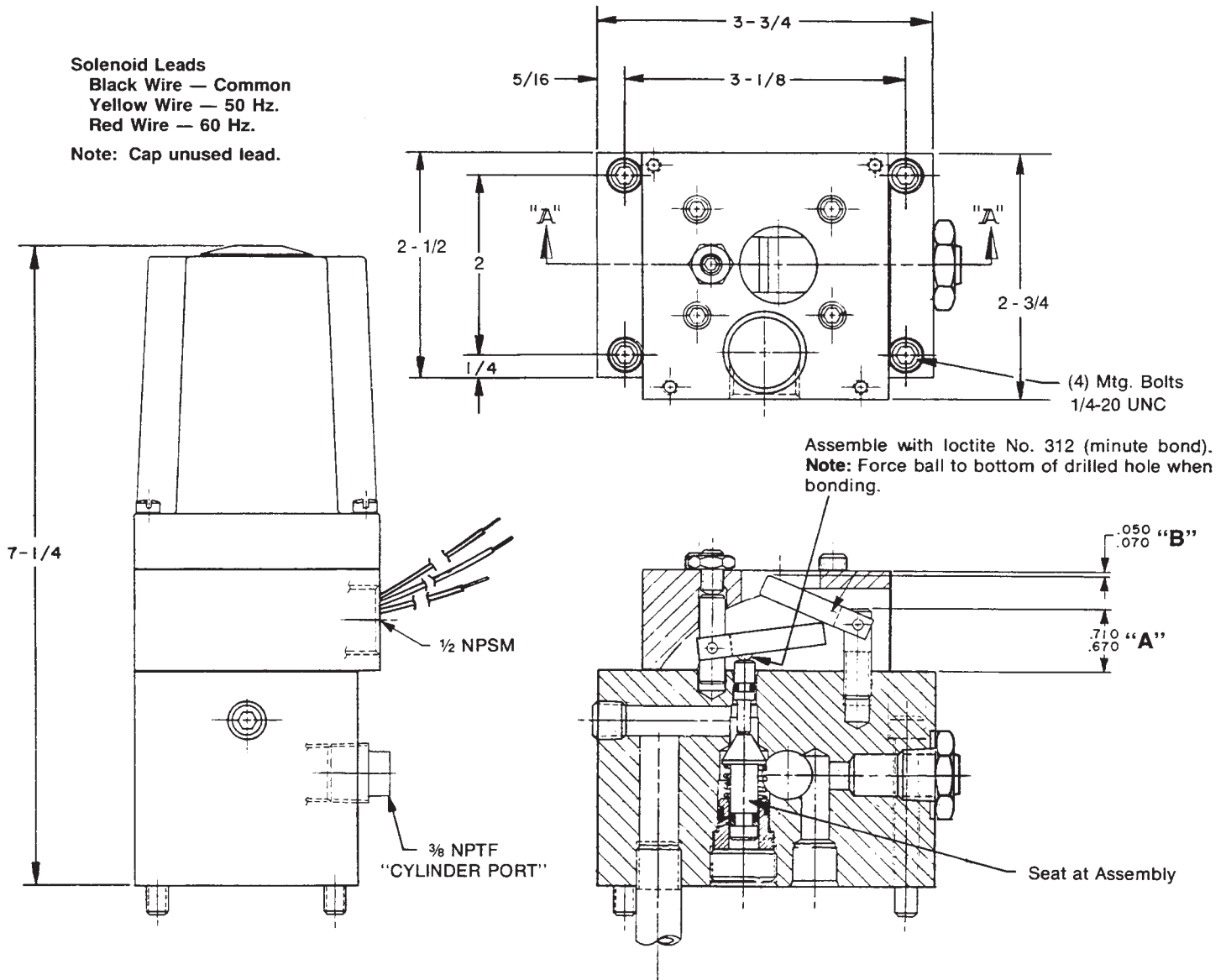
Return: Oil is directed back to tank by energizing the solenoid. (Release poppet opens through a force multiplying linkage.)

J.I.C. SYMBOL



Note: For leakproof operation This valve should be used with a check valve located in the pressure line from pump unit.

Solenoid Leads
 Black Wire — Common
 Yellow Wire — 50 Hz.
 Red Wire — 60 Hz.
Note: Cap unused lead.



IMPORTANT:

Linkage Adjustment

1. Adjust pin #203100 (Item no. 4) to dim. "A".
2. Adjust set screw #10138 (Item no. 23) until upper lever #203102 (Item no. 2) is at dim. "B".
3. Lock in position with nut #10199 (Item no. 24).