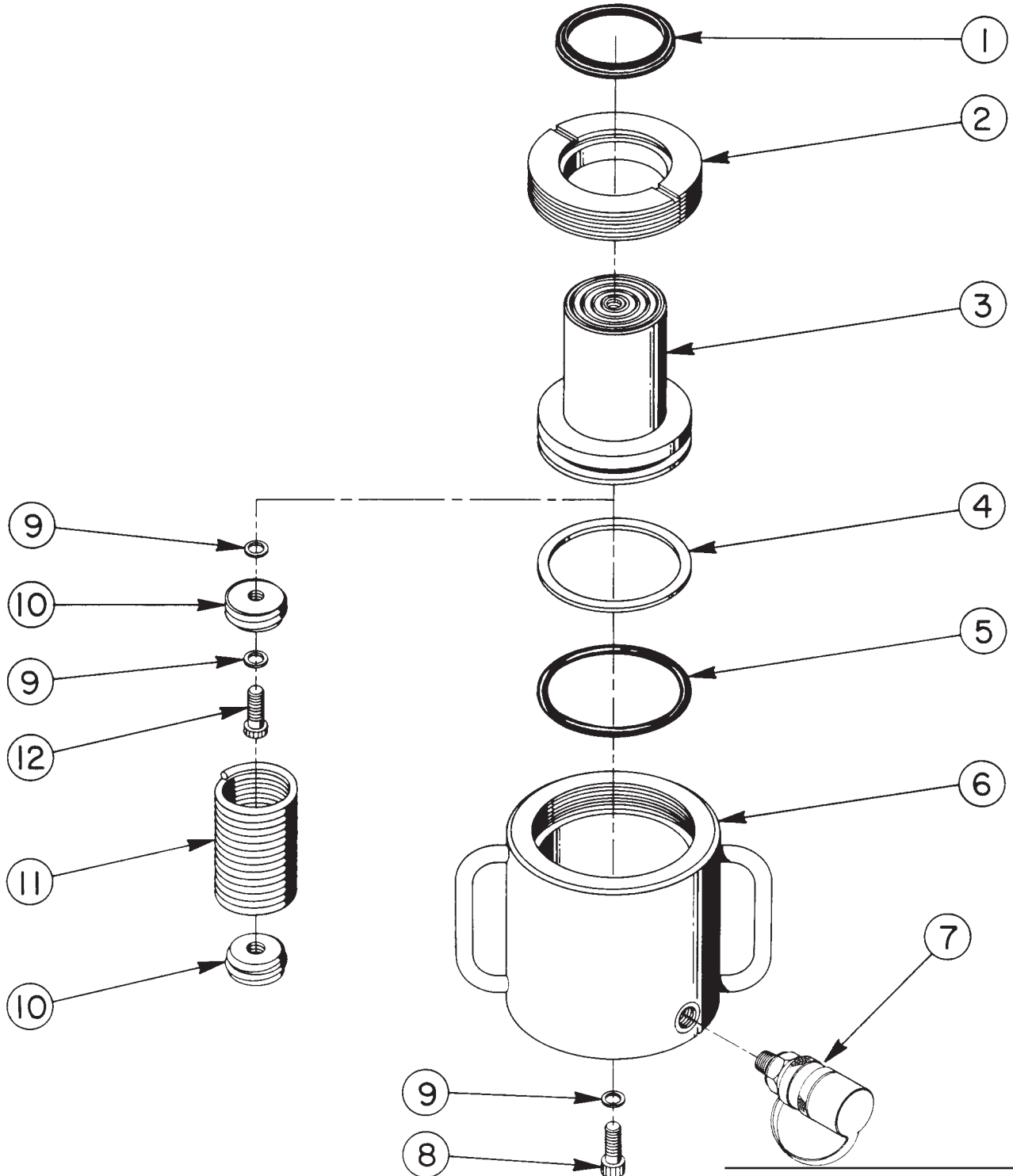


Parts List for:

	4141	RSS101
4RS101S	4142	RSS202
4RS202S	4143	RSS302
4RS302S	4144	RSS502
4RS502S	4145	RSS1002

**SINGLE-ACTING, SPRING RETURN
HYDRAULIC CYLINDER**



Parts List, Form No. 100495, Back sheet 1 of 2

Item No.	No. Req'd	Description	CATALOG NO.				
			4141 4RS101S RSS101	4142 4RS202S RSS202	4143 4RS302S RSS302	4144 4RS502S RSS502	4145 RSS1002
1	1	Rod Wiper	*201429	*27395	*204969	*16117	*207608
2	1	Retainer Nut	201365 (Torque to 90/100 in. lbs.)	38417 (Torque to 500/525 in. lbs.)	38963 (Torque to 500/525 in. lbs.)	43601 (Torque to 500/525 in. lbs.)	43683 (Torque to 500/525 in. lbs.)
3	1	Piston	†303141	†303142	†44790	†44785	†44796
4	1	Backup Washer	*19783	*19147	*19151	*207575	*19349
5	1	O-ring	*19782	*10840	*11763	*207576	*207601
6	1	Cylinder Body	303140	44781	44789	44786	51956
7	1	Ram Half Coupler w/Dust Cap (For RSS Series)	9796	9796	9796	9796	9796
	1	Ram Half Coupler (For 4RS101S, 4RS202S, 4RS302S, & 4RS502S)	210916	210916	210916	210916	
	1	Ram Half Coupler (For 4141, 4142, 4143, 4144 & 4145)	25600-1	25600-1	25600-1	25600-1	25600-1
8	1	Soc. Hd. Cap Screw	10008	10030	10030	10050	10053
9	3	Copper Washer	*10442	*11031	*11031	*12042	*12042
10	2	Spring Retainer	204414	204570	204570	39024	39192
11	1	Extension Spring	207557	207560	207579	207574	207602
12	1	Low. Soc. Hd. Cap Screw	19268	19253	19253	19995	19995
13	1	Dust Cap (For 4141, 4142, 4143, 4144 & 4145)	9688	9688	9688	9688	9688
	1	Warning Decal (Not shown)	*203908	*203908	*203908	*203908	*203908
	1	Trade Name Decal (For RSS101, RSS202, RSS302, & RSS502; Not shown)	207558	207559	207580	207577	207608
	1	Trade Name Decal (For 4RS101S, 4RS202S, 4RS302S, & 4RS502S; Not shown)	210481	210482	210483	210484	
	1	Trade Name Decal (For 4141, 4142, 4143, & 4145; Not shown)	211171	211172	211173	211174	211175

Items marked with an asterisk (*) are contained in Repair Kit.

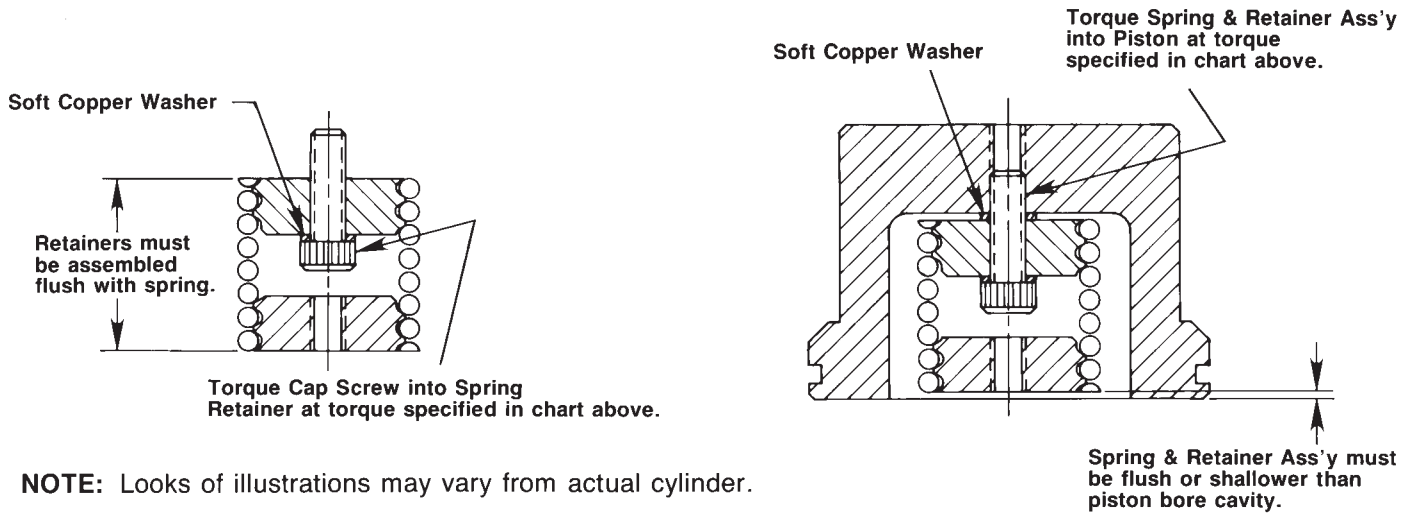
Repair Kit No.	300010	300011	300297	300292	300293
----------------	--------	--------	--------	--------	--------

† After April 1991 these pistons will no longer be available. They will be replaced by conversion kits as follows:

4141, 4RS101S, RSS101 = 300600
4142, 4RS202S, RSS202 = 300601
4143, 4RS302S, RSS302 = 300602
4144, 4RS502S, RSS502 = 300603
4145, RSS1002 = 300604

NOTE: Conversion kits consist of piston, spring, retainers, and screw assembly.

ASSEMBLY INSTRUCTIONS



NOTE: Looks of illustrations may vary from actual cylinder.

CAT. NO.	TONS	PSI MAX.	Torque Cap Screw into Spring Retainer at	Torque Spring & Retainer Ass'y into Piston at
4141, 4RS101S, RSS101	11.2	10,000	90/100 in. lbs.	70/80 in. lbs.
4142, 4RS202S, RSS202	22.1	10,000	170/180 in. lbs.	170/180 in. lbs.
4143, 4RS302S, RSS302	32.5	10,000	170/180 in. lbs.	170/180 in. lbs.
4144, 4RS502S, RSS502	50	10,394	400/425 in. lbs.	150/170 in. lbs.
4145, RSS1002	100	10,186	400/425 in. lbs.	150/170 in. lbs.

Refer to any operating instructions included with the product for detailed information about operation, testing, disassembly, reassembly, and preventive maintenance.

Items found in this parts list have been carefully tested and selected. **Therefore: Use only genuine replacement parts!**

Additional questions can be directed to one of our Technical Services Departments.