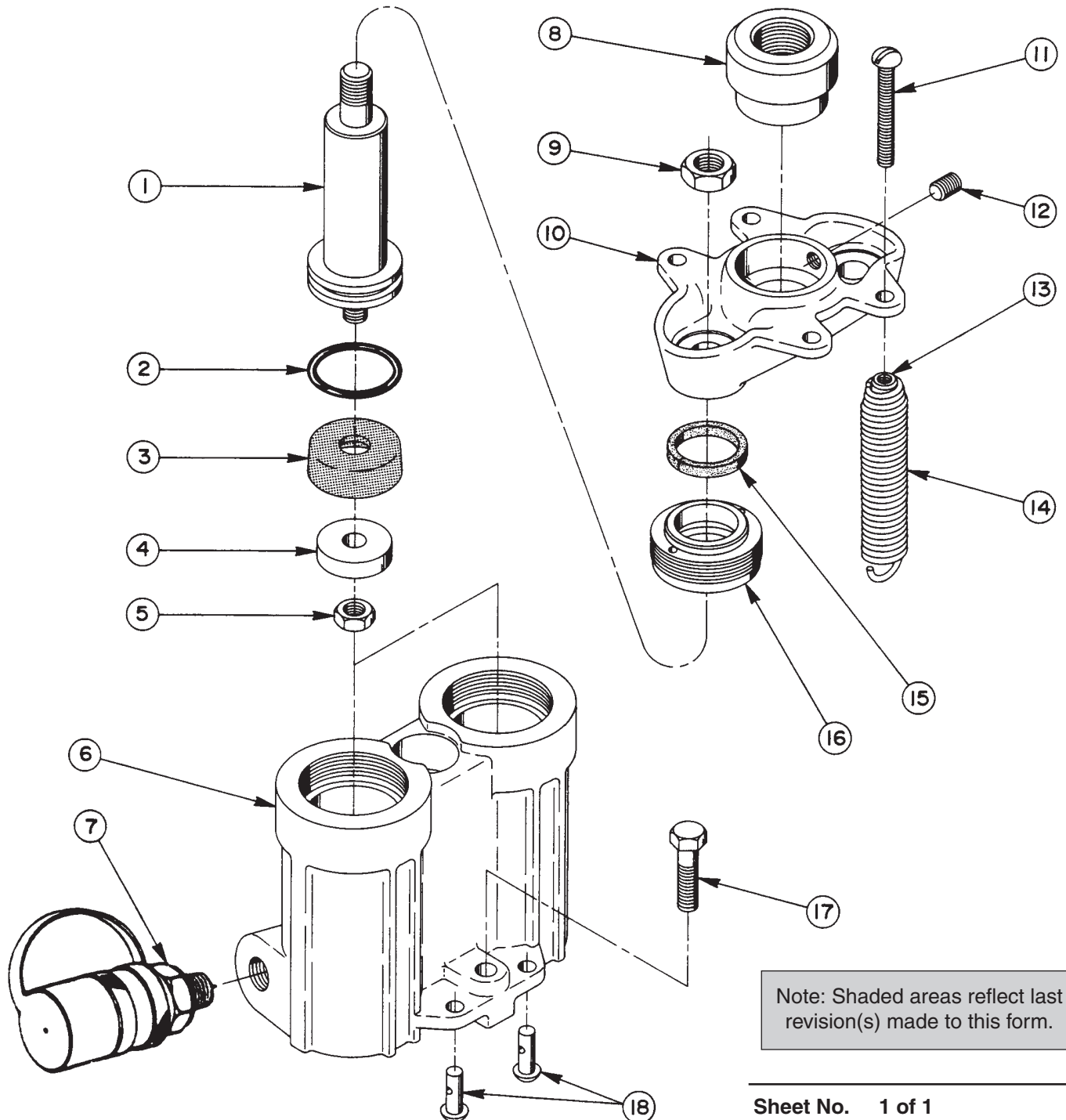


Parts List for:

RT172
RT172-AW
RT172-SAUER
RT172-PFAFF

SINGLE-ACTING, SPRING RETURN HYDRAULIC CYLINDER

Max. Capacity: 17.7 Tons at 10,000 PSI



Item No.	Part No.	No. Req'd	Description
1	30767	2	Piston
2	*10281	2	O-ring (1-1/2 x 1-1/4 x 1/8)
3	*10351	2	Packing Cup
4	21667	2	Follower Plate
5	12724	2	Locknut (3/8-24)
6	40222	1	Cylinder Body
7	9796	1	Ram Half Coupler
8	21669	1	Tapped Insert (For RT172, RT172-SAUER, & RT172-PFAFF)
	21714	1	Plain Insert (For RT172-AW)
9	10390	2	Hex. Jam Nut (1/2-20 UNF)
10	21918	1	Cross Head
11	11004	4	Machine Screw (1/4-20 UNC x 2" Lg.)
12	10142	1	Set Screw (5/16-18 UNC x 3/8 Lg.)
13	21668	4	Return Spring Nut
14	21930	4	Return Spring
15	*21994	2	Felt Wiper Ring
16	21666	2	Cylinder Nut
17	252654	2	Hex. Hd. Cap Screw (5/16-24 UNF x 1-1/4 Lg.)
18	21715	4	Return Spring Rivet

PARTS INCLUDED BUT NOT SHOWN

*12980	1	Warning Decal
*206392	1	Warning Decal
252126	1	Tradename Decal
12980-CE	1	Warning Decal (CE; For RT172-PFAFF)
206392-CE	1	Warning Decal (CE; For RT172-PFAFF)
252609	1	Tradename Decal (For RT172-PFAFF)

Part numbers marked with an asterisk (*) are contained in Repair Kit No. 300358.

Refer to any operating instructions included with this product for detailed information about operation, testing, disassembly, reassembly, and preventive maintenance.

Items found in this parts list have been carefully tested and selected. **Therefore: Use only genuine Power Team replacement parts!**

Additional questions can be directed to our Technical Services Department.

NOTE: Shaded areas reflect last revision (s) made to this form.