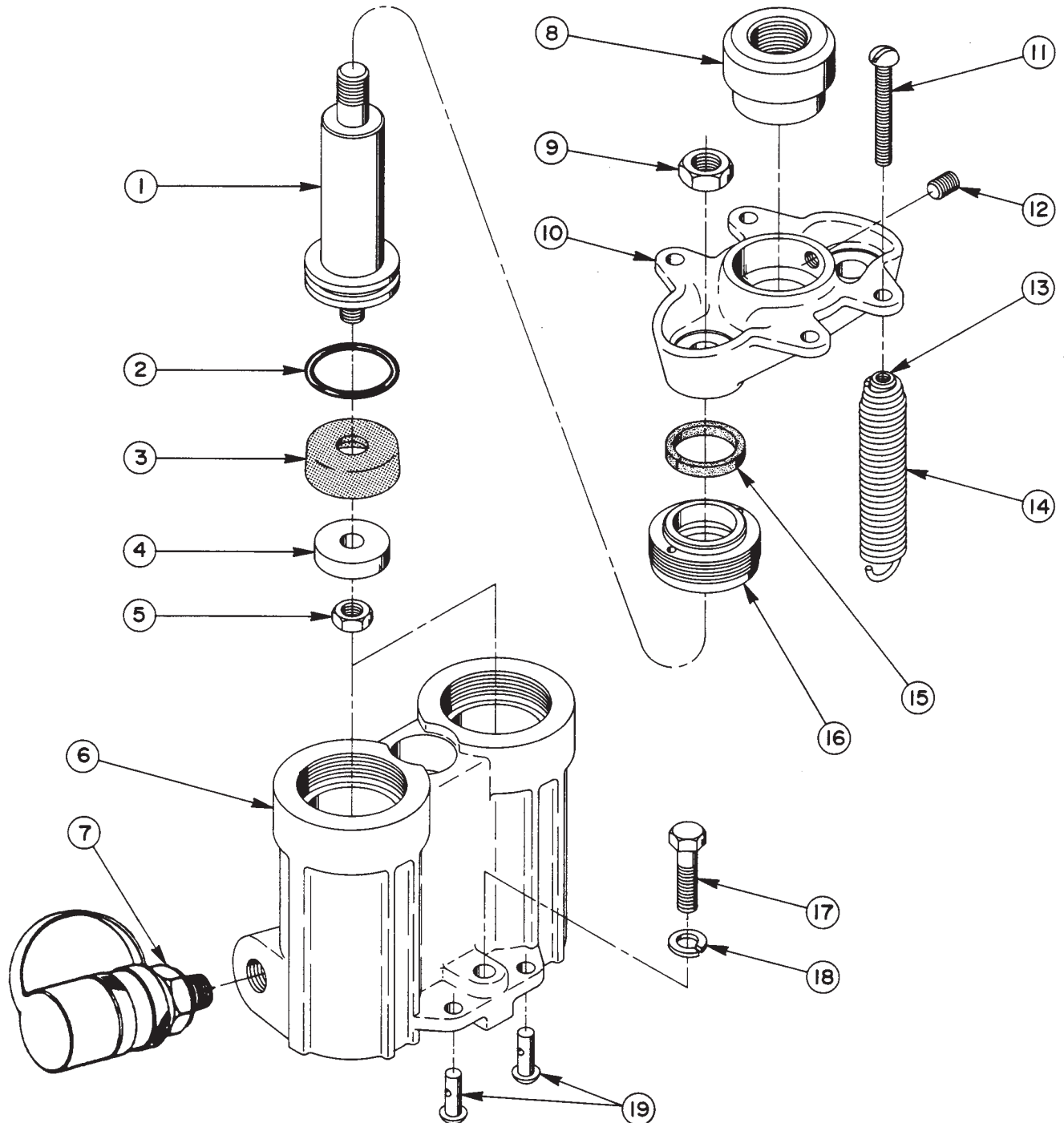


Parts List for:

RT302
RT302-PFAFF

SINGLE-ACTING, SPRING RETURN HYDRAULIC CYLINDER

Max. Capacity: 31.4 Tons At 10,000 PSI



Note: Shaded areas reflect last revision(s) made to this form.

Sheet No. 1 of 1

Rev. 2

Date: 17 Apr. 1997

Item No.	Part No.	No. Req'd	Description
1	30876	2	Piston
2	*10294	2	O-ring (2" x 1-3/4 x 1/8, -224)
3	*10884	2	Packing Cup
4	21877	2	Follower Plate
5	12725	2	Hex Jam Locknut (1/2-20 UNF)
6	40225	1	Cylinder Body
7	9796	1	Ram Half Coupler
8	21873	1	Tapped Insert
9	10394	2	Hex Jam Nut (5/8-18 UNF)
10	21998	1	Cross Head
11	11225	4	Machine Screw (5/16-18 UNC x 2" Lg.)
12	10143	1	Set Screw (5/16-18 UNC x 1/2 Lg.)
13	21875	4	Return Spring Nut
14	21931	4	Return Spring
15	*22001	2	Felt Wiper Ring
16	21876	2	Cylinder Nut
17	10831	2	Hex Hd. Cap Screw (7/16-20 UNF x 1-1/2 Lg.)
18	10248	2	Lockwasher (For 7/16 bolt)
19	21874	4	Return Spring Rivet

PARTS INCLUDED BUT NOT SHOWN

*206392	1	Warning Decal
*12980	1	Warning Decal
252125	1	Tradename Decal
206392-CE	1	Warning Decal (CE; For RT302-PFAFF)
12980-CE	1	Warning Decal (CE; For RT302-PFAFF)
252183	1	Tradename Decal (For RT302-PFAFF)

Part numbers marked with an asterisk (*) are contained in Repair Kit No. 300359.

Refer to any operating instructions included with this product for detailed information about operation, testing, disassembly, reassembly, and preventive maintenance.

Items found in this parts list have been carefully tested and selected. **Therefore: Use only genuine Power Team replacement parts!**

Additional questions can be directed to our Technical Services Department.

NOTE: Shaded areas reflect last revision(s) made to this form.