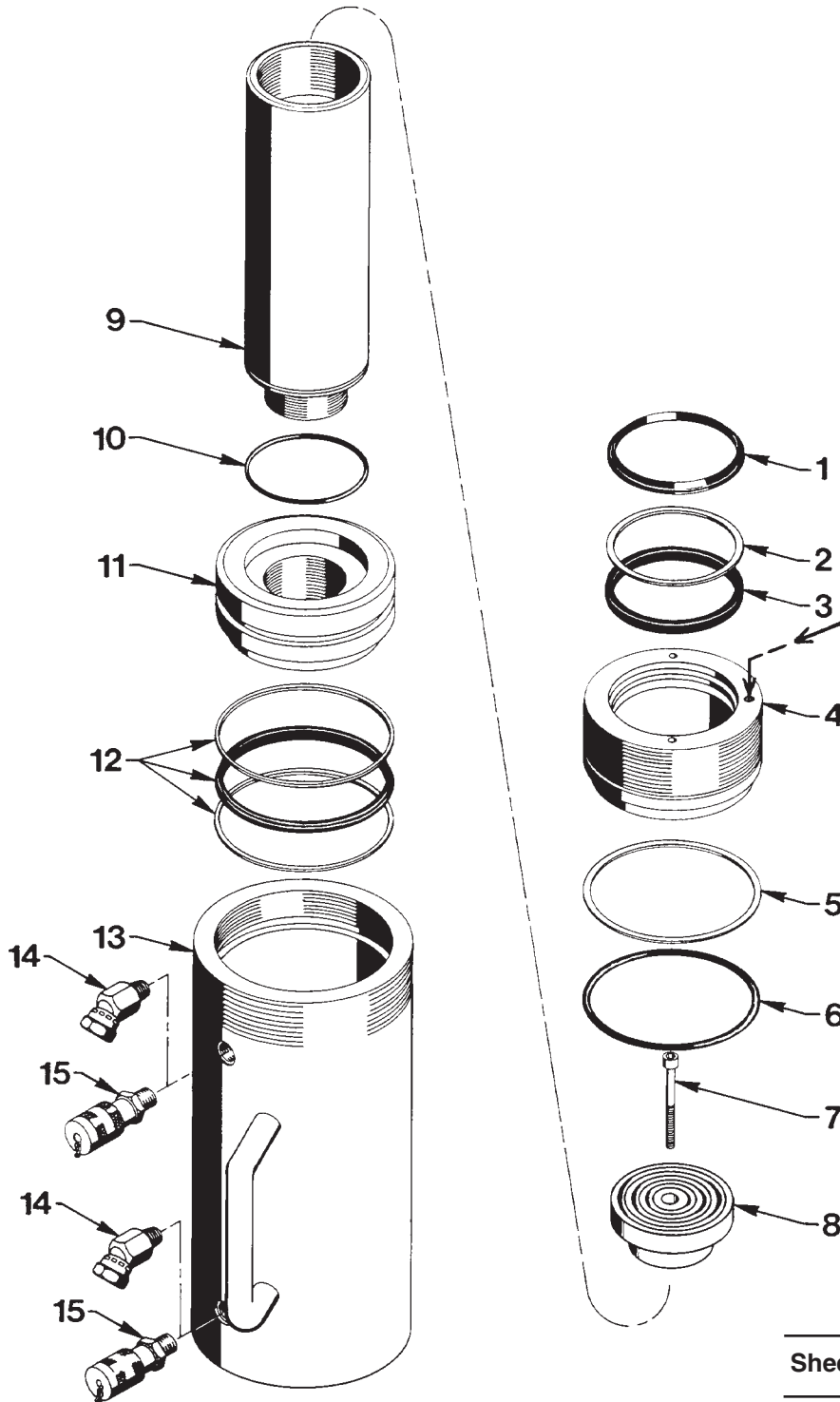


Parts List for:

52351
RD8013

**DOUBLE-ACTING
HYDRAULIC CYLINDER**
Max. Capacity: 80 Tons at 10,060 PSI



**Double-acting
Cylinder
Relief Valve**

See important
! DANGER
statement
on back of
sheet 1 of 1



DANGER: To help avoid possible serious personal injury or death,

- In the event that the cylinder retract port is ever restricted or plugged, a double-acting cylinder relief valve will help prevent excessive pressure from building in the cylinder. **DO NOT** attempt to adjust or service this relief valve! If oil leakage is detected from this relief valve, discontinue use of the cylinder immediately and contact Power Team or OTC Technical Services. Only Power Team or OTC Authorized Hydraulic Service Centers should service this relief valve.

Item No.	Part No.	No. Req'd	Description
1	*19314	1	Rod Wiper
2	*19154	1	Backup Washer (3 3/8 X 3" X .070, -337)
3	*12700	1	U-cup
4	52353	1	Retainer Nut (Torque to 150 ft. lbs. min.)
5	*210402	1	Backup Washer (4-1/16 X 4-3/8 X .048, -245)
6	*210403	1	O-ring (4-1/16 X 4-3/8 X 1/8, -245)
7	10435	1	Socket Head Cap Screw (3/8-16 X 2-1/2 Lg.)
8	305070	1	Serrated Insert
9	45723	1	Piston Rod
10	*210404	1	O-ring (3" X 2-3/4 X 1/8, -232)
11	45724	1	Piston Head (Torque to 200 ft. lbs. min.)
12	*210405	1	T-Seal & Backup Rings (Smooth side of Backup Ring must be against seal.)
13	51268	1	Cylinder Body
14	10648	2	45° Elbow Fitting (For 52351)
15	9796	2	Quick Coupler Ram Half w/Dust Cap (For RD8013)

PARTS INCLUDED BUT NOT SHOWN

*37782	1	Warning Decal
210406	1	Trade Name Decal (For RD8013)

Part numbers marked with an asterisk (*) are contained in Repair Kit No. 300410.

Note: Shaded areas reflect last revision(s) made to this form.

Refer to any operating instructions included with this product for detailed information about operation, testing, disassembly, reassembly, and preventive maintenance.

Items found in this parts list have been carefully tested and selected. **Therefore: Use only genuine replacement parts!**

Additional questions can be directed to our Technical Services Department.