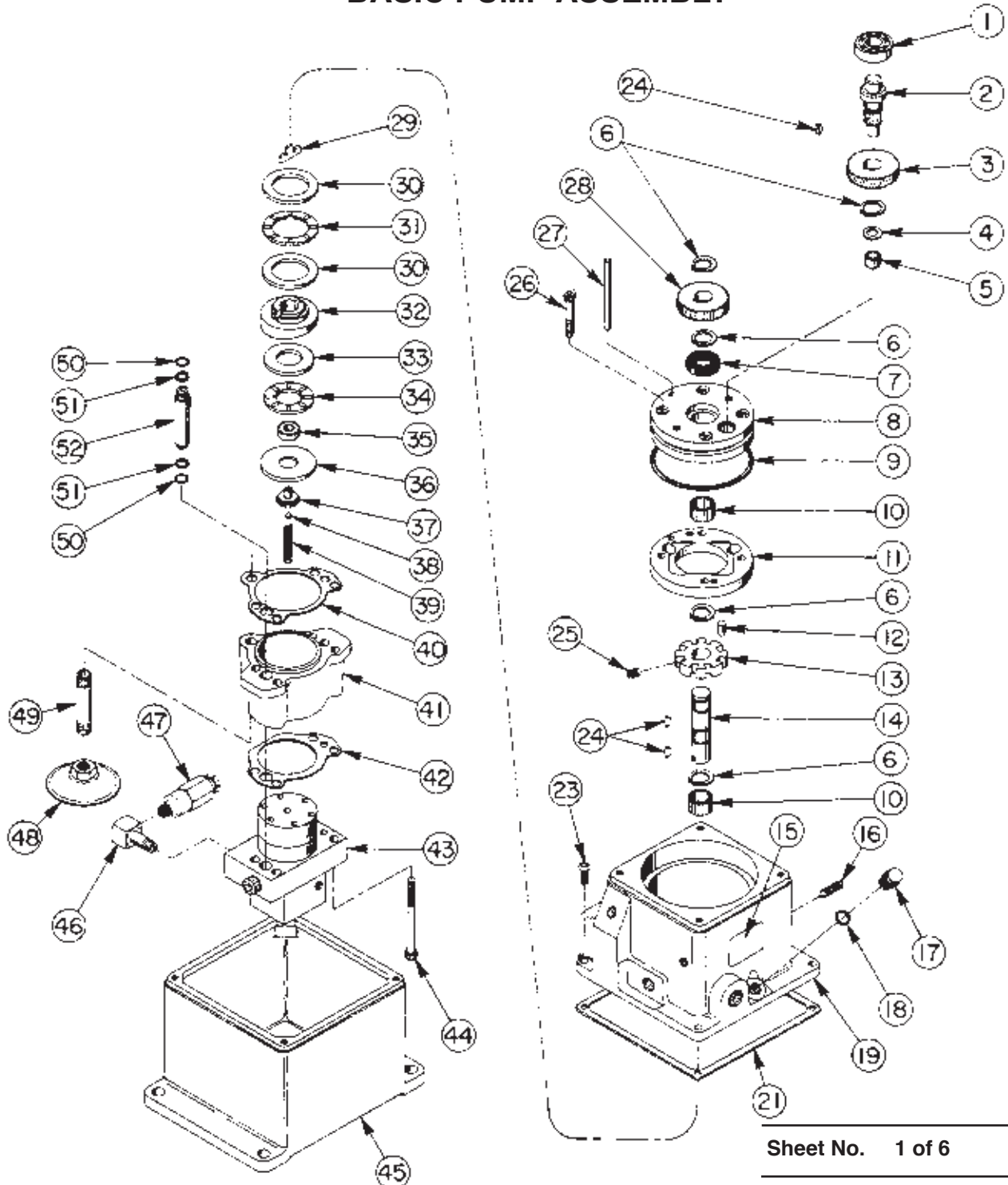


Parts List for:

**PE183C**  
**PE183C-50-220**  
**PE183CF**

## MODEL C ELECTRIC HYDRAULIC PUMP BASIC PUMP ASSEMBLY



Sheet No. 1 of 6

Rev 6 Date: 3 Aug 2011

# Parts List, Form No. 100622, Back sheet 1 of 6

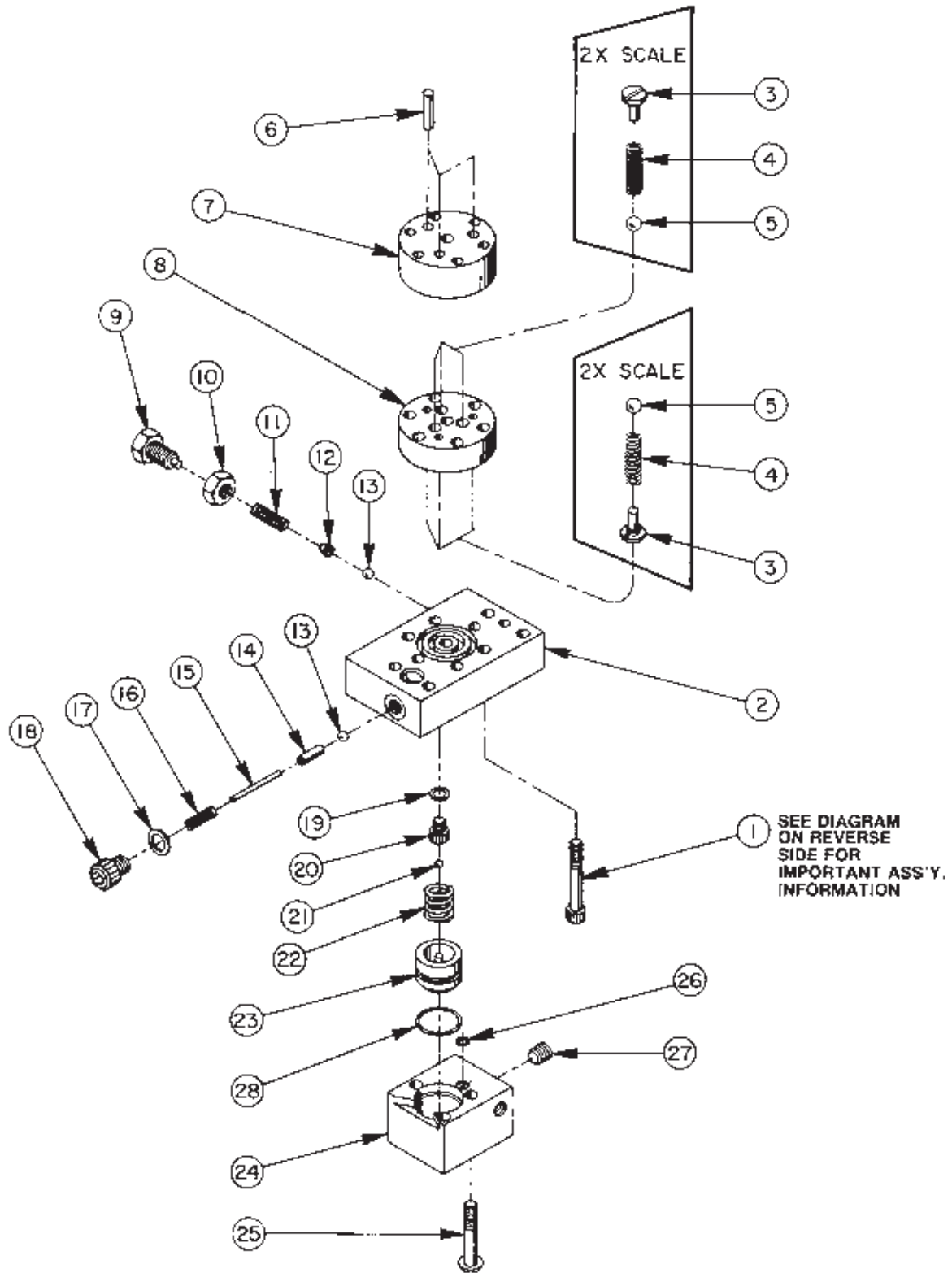
Item No.	Part No.	No. Req'd	Description	Item No.	Part No.	No. Req'd	Description
1	13115	1	Ball Bearing	29	200397	1	Key
2	32069	1	Pinion Shaft	30	11227	2	Bearing Race
3	24536	1	Helical Gear	31	11228	1	Needle Thrust Bearing
4	24744	1	Thrust Washer	32	35271	1	Angle Plate
5	12191	1	Needle Bearing	33	15432	1	Bearing Race
6	12178	5	Retaining Ring (5/8 shaft)	34	15431	1	Thrust Bearing
7	12194	1	Oil Seal	35	11814	1	Ball Bearing
8	33463	1	Pump End Plate	36	23548	1	Top Plate
9	10297	1	O-ring (3-1/2 X 3-1/4 X 1/8)	37	23547	1	Top Plate Bearing
10	12192	2	Needle Bearing	38	10375	1	Ball (1/4 Dia.)
11	33464	1	Pump Ring	39	10361	1	Compression Spring (1/4 O.D. X 1" Lg.)
12	12193	8	Roller	40	202691	1	Upper Gasket
13	28357	1	Rotor	41	36923	1	Spacer
14	202875	1	Shaft	42	202690	1	Lower Gasket
15	12204	1	Decal, Vent	43	37013	1	High Pressure Pump Ass'y (See sheet 2 of 6)
16	15305	1	Set Screw	44	11956	4	Soc. Hd. Cap Screw (1/4-20 UNC X 3" Lg.)
17	350888	1	Filler Cap	45	40756OR9	1	Reservoir
18	10300	1	O-ring (5/8 X 15/32 X 5/64)	46	28859	1	Elbow
19	45951	1	Pump Body	47	21278	1	Relief Valve Assembly
21	32713	1	Gasket	48	29682	1	Filter Assembly
23	13026	4	Machine Screw (#10-24 UNC X 3/4 Lg.)	49	202781	1	Suction Tube
24	12179	3	Woodruff Key	50	10267	2	O-ring (7/16 X 5/16 X 1/16)
25	14070	8	Compression Spring (1/4 O.D. X 3/8 Lg.)	51	15085	2	Backup Washer (7/16 X 5/16 X 3/64)
26	10022	4	Soc. Hd. Cap Screw (1/4-20 UNC X 1-1/2 Lg.)	52	202688	1	Tube
27	24758	1	Locating Pin				
28	24567	1	Spur Gear				

Refer to any operating instructions included with this product for detailed information about operation, testing, disassembly, reassembly, and preventive maintenance.

Items found in this parts list have been carefully tested and selected. **Therefore: Use only genuine Power Team replacement parts!**

Additional questions can be directed to our Technical Services Department.

# HIGH PRESSURE PUMP ASSEMBLY WITH AUTOMATIC VALVE

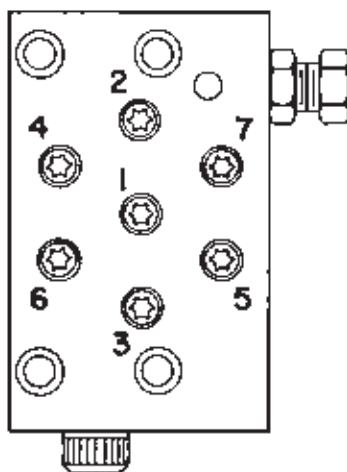


# Parts List, Form No. 100622, Back sheet 2 of 6

Item No.	Part No.	No. Req'd	Description
1	*16747	7	Torx Drive Cap Screw (See diagram below)
2	*36910	1	Pump End Plate
3	*24549	6	Valve Guide
4	*10445	6	Compression Spring (5/32 O.D. X 3/4 Lg.)
5	*12223	6	Steel Ball (3/16 Dia.)
6	*20775	3	Piston
7	*40629	1	Pump Barrel
8	*40630	1	Valve Head
9	200797	1	Adjusting Screw
10	10386	1	Jam Nut
11	15691	1	Compression Spring (1/4 O.D. X 5/8 Lg.)
12	200796	1	Adapter
13	10375	2	Steel Ball (1/4 Dia.)
14	201998	1	Sleeve
15	12571	1	Roll Pin (1/8 dia. X 1-3/8 Lg.)
16	16057	1	Compression Spring (3/16 O.D. X 1"Lg.)
17	12042	1	Copper Washer (9/16 X 3/8 X 1/32)
18	29690	1	Cap Screw (Torque to 180 in. lbs.)
19	10442	1	Copper Washer (3/8 X 1/4 X 1/32)
20	201995	1	Replaceable Seat (Torque to 80/90 in. lbs.)
21	10419	1	Steel Ball (5/32 dia.)
22	16465	1	Compression Spring (5/8 O.D. X 3/4 Lg.)
23	202944	1	Piston
24	42530	1	Valve Cylinder
25	10614	3	Rd. Hd. Mach. Screw
26	10264	1	O-ring (1/4 X 1/8 X 1/16)
27	11084	1	Pipe Plug (1/16 NPTF)
28	12779	1	O-ring (15/16 X 13/16 X 1/16)

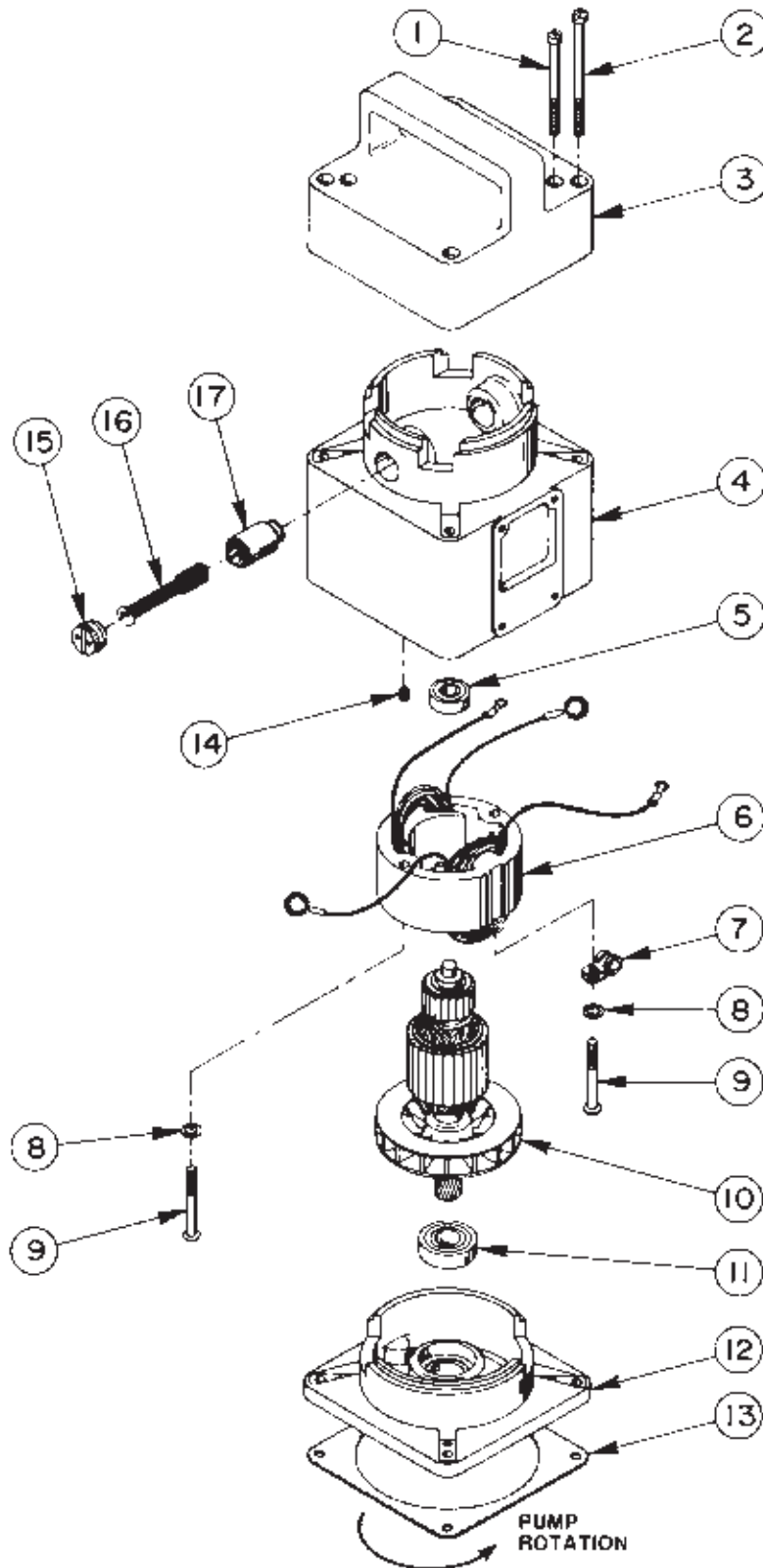
Consult factory when replacing items marked with an asterisk (\*)

## BOLT TIGHTENING SEQUENCE



**NOTE: Assemble in sequence shown. Lubricate under head and on threads. Torque to 170 in. lbs.**

### BASIC MOTOR ASSEMBLY



Item No.	Part No.	No. Req'd	Description
1	12802	2	Machine Screw (#10-24 UNC X 5-1/2 Lg.)
2	12820	4	Machine Screw (#10-24 UNC X 6" Lg.)
3	32395	1	Motor Shell Cover
4	40750	1	Motor Shell
5	16768	1	Ball Bearing
6	12140	1	Field (115 Volt)
	12141	1	Field (230 Volt)
7	13111	1	Speed Clamp
8	12356	2	Lockwasher
9	12515	2	Machine Screw (#10-24 UNC X 1-3/4 Lg.)
10	16769	1	Armature (115 Volt)
	16770	1	Armature (230 Volt)
11	12133	1	Ball Bearing
12	40753	1	Motor Base
13	32714	1	Gasket
14	12131	2	Sec Screw (#10-24 UNC X 3/16 Lg.)
15	12143	2	Brush Cap
16	12144	2	Brush Assembly
17	12142	2	Brush Holder

## ELECTRICAL SCHEMATIC - HANDSWITCH

115 Volt, 50/60 Hz. Single Phase (Shown)  
 230 Volt, 50/60 Hz. Single Phase  
 with Remote Control Hand Switch

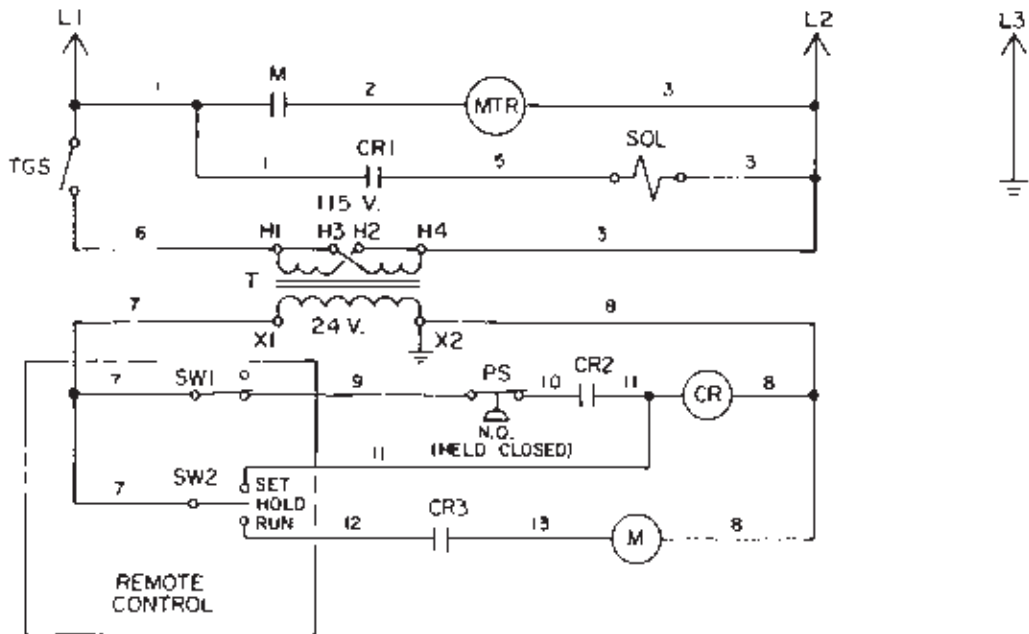


### WARNING

To help avoid personal injury, all electrical work must be done by a qualified electrician.

#### North American & International Color Codes

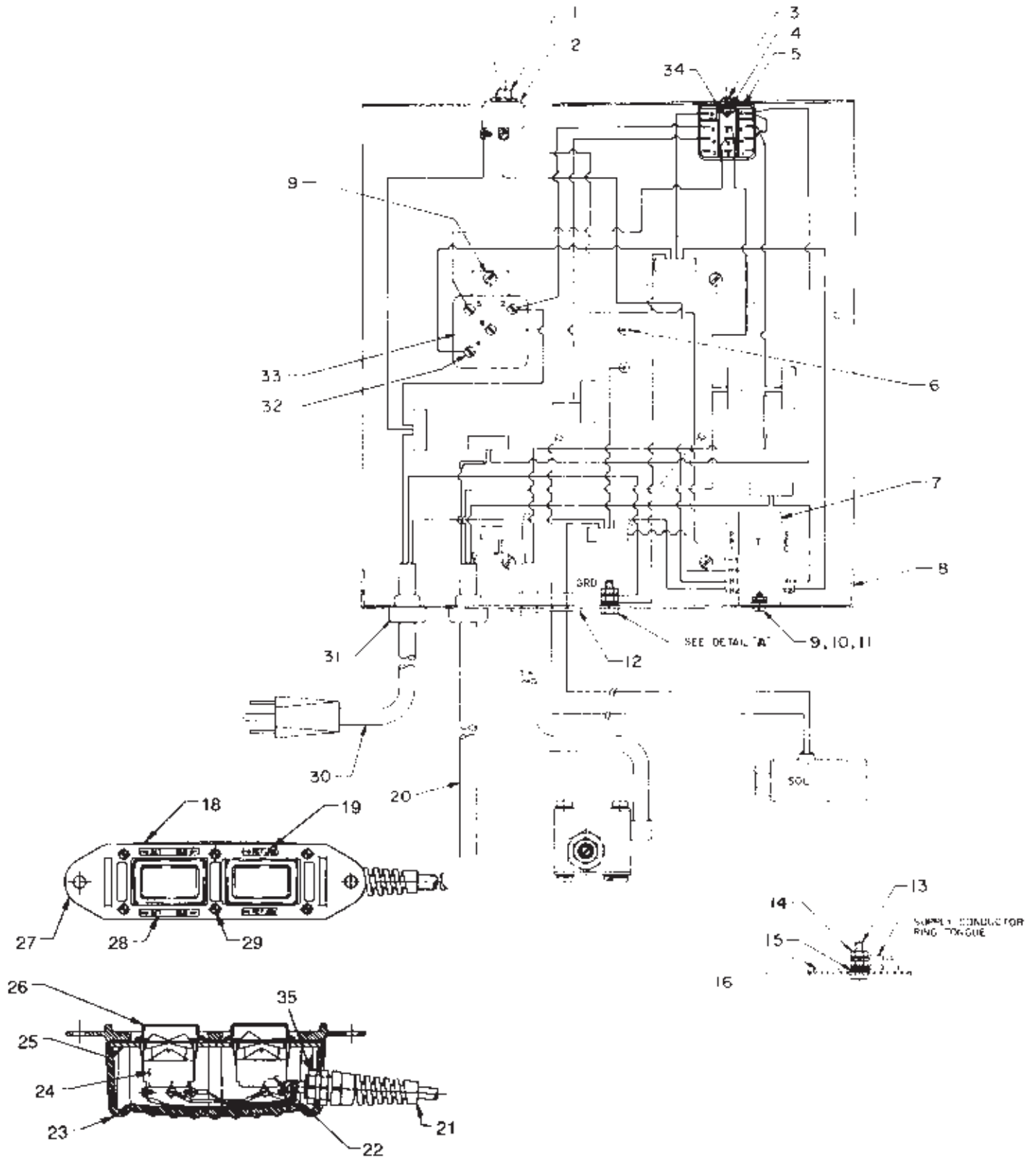
Conductors	North American	International
Line	Black	Brown
Neutral	White	Blue
Ground	Green	Green/Yellow



#### TRANSFORMER CONNECTIONS

115 V., 50/60 Hz.	230 V., 50/60 Hz.
H1 & H3 to L1	H1 to L1
H2 & H4 to L2	H2 to H3
	H4 to L2

# ELECTRICAL CONTROL ASSEMBLY



For PE183C & PE183C-50-220

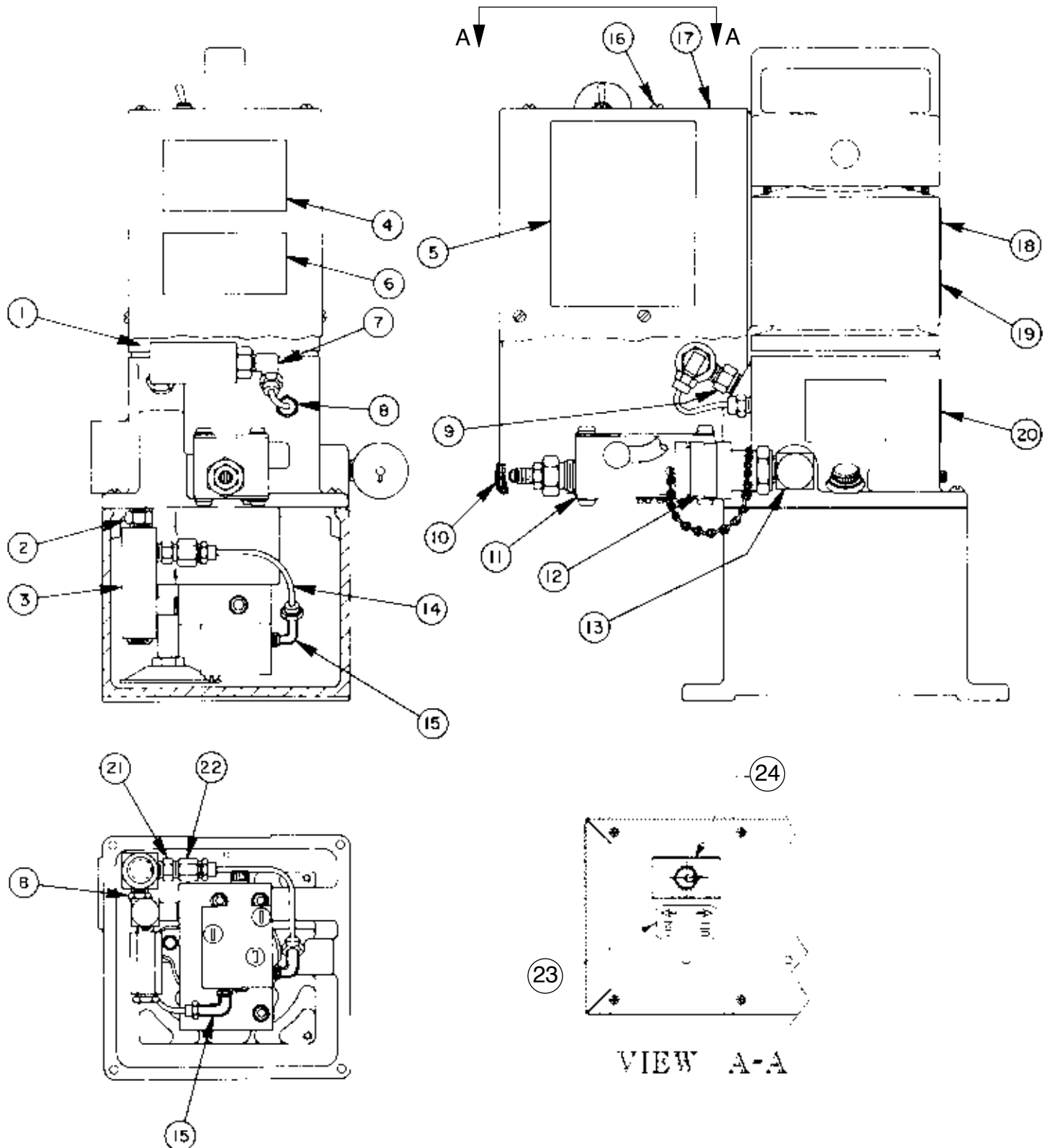
**Parts List, Form No. 100622, Back sheet 4 of 6**

<b>Item No.</b>	<b>Part No.</b>	<b>No. Req'd</b>	<b>Description</b>
1	12301	1	Toggle Switch
2	205409	1	Indicator Plate
3	10448	2	Machine Screw (#6-32 X 3/8 Lg.)
4	15906	2	Lockwasher
5	305602	1	General Purpose Relay
6	12180	2	Strain Relief Bushing
7	305665	1	Transformer
8	61285WH2	1	Electrical Control Box
9	12062	6	Machine Screw (#8-32 UNC X 3/8 Lg.)
10	11388	2	Lockwasher (#8 External Tooth)
11	10196	2	Nut (#8-32 UNC)
12	15885	1	Snap Plug
13	104484	1	Machine Screw (#10-24 UNC X 3/4 Lg.)
14	10197	2	Nut (#10-24 UNC)
15	11108	1	Lockwasher (#10 External Tooth)
16	205189	1	Ground Decal
18	*207762	1	Magnetic Strip
19	*253052	2	Decal (Return)
20	*11391	26 ft.	Electric Cable
21	*251818	1	Strain Relief Connector
22	*46131	1	Rocker Switch (On/Off)
23	*420050-4	1	Switch Housing
24	*45524	1	Rocker Switch (On/Off/On)
25	*420050-3	1	Switch Mounting Plate
26	*420050-2	1	Gasket
27	*420050-1	1	Cover
28	*250444	2	Decal (Set-Run)
29	*250248	6	Tapping Screw (#4-24 X 3/4 Lg.)
30	12291	1	Cord Set (115 V.)
	12293	7 ft.	Electric Cable (220 V.)
31	15993	2	Strain Relief Bushing
32	10975	4	Machine Screw (#8-32 UNC x 5/16 Lg.)
33	14667	1	Relay
34	10195	2	Hex Nut (#6-32)
35	*251802	1	Locknut

Part numbers marked with an asterisk (\*) are included in replacement Remote Control Hand Switch Assembly No. 309658.

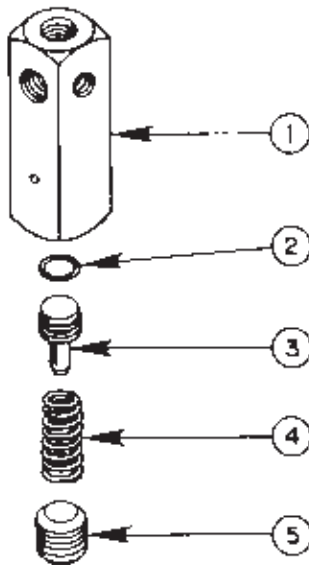


### FINAL PUMP ASSEMBLY



Item No.	Part No.	No. Req'd	Description
1	<b>16788</b>	1	Solenoid Valve (For PE183C & PE183CF)
	<b>18314</b>	1	Solenoid Valve (For PE183C-50-220)
2	<b>11421</b>	1	Straight Nipple Fitting
3	<b>202605</b>	1	Accumulator Assembly (See below)
4	<b>200188</b>	1	Warning Decal
5	<b>305642</b>	1	Instruction Decal
6	<b>211375</b>	1	Warning Decal
7	<b>15044</b>	1	90° Elbow Fitting
8	<b>14279</b>	2	Straight Fitting
9	<b>16691</b>	1	Straight Nipple Fitting
10	<b>16412</b>	1	Snap Plug
11	<b>9625</b>	1	Pressure Switch Assembly (See Form #100589)
12	<b>25600</b>	1	Ram Half Coupler
13	<b>10474</b>	1	90° Elbow Fitting
14	<b>14281</b>	AR	Plastic Tubing
15	<b>14280</b>	2	90° Elbow Fitting
16	<b>14812</b>	8	Self-Tapping Screw (#8-18 X 3/8 Lg.)
17	<b>61284WH2</b>	1	Control Box Cover
18	<b>202173</b>	1	Trade Name Decal
19	<b>202210</b>	1	Spec. Decal (For 115 V.)
	<b>203630</b>	1	Spec. Decal (For 230 V.)
20	<b>200257</b>	1	Priming Port Decal
21	<b>16787</b>	1	Check Valve
22	<b>16802</b>	1	Straight Fitting
23	<b>205409</b>	1	On/Off Decal
24	<b>352061</b>	1	Switch Guard

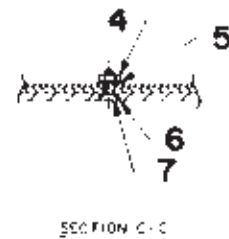
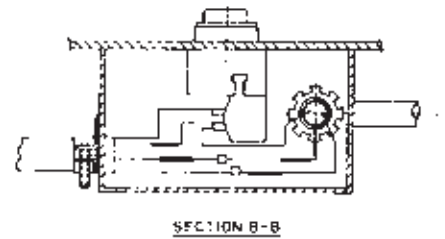
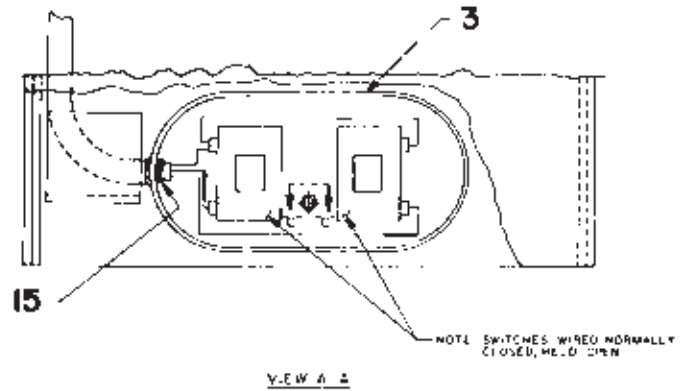
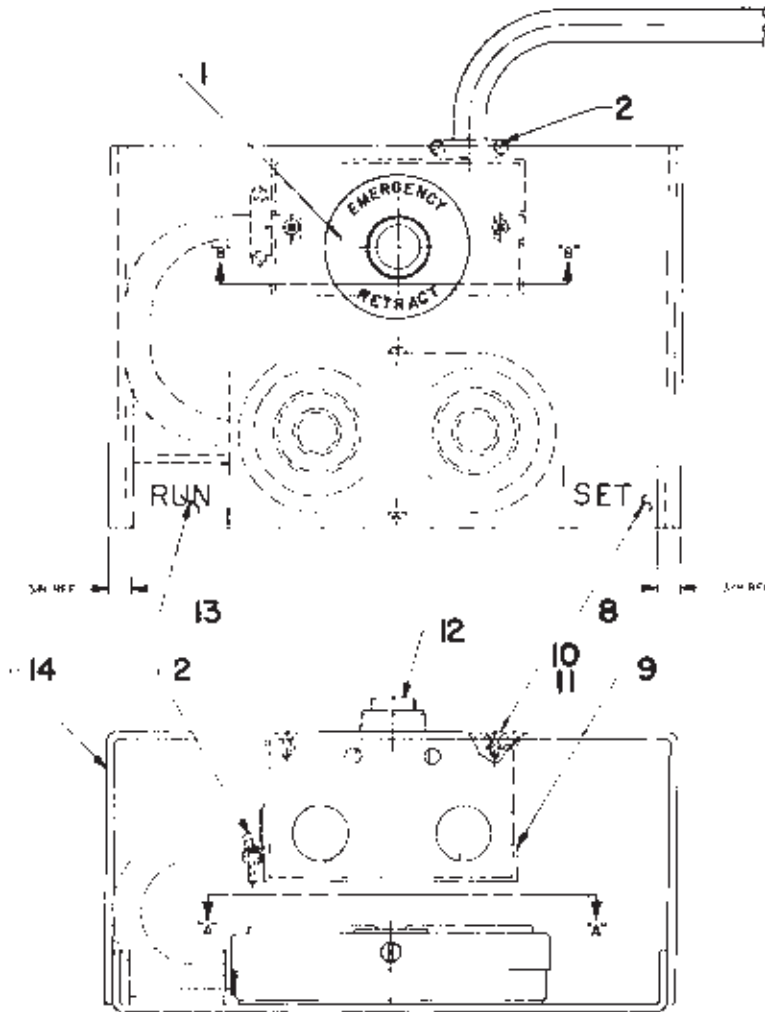
**AR = As Required**



**ACCUMULATOR ASSEMBLY  
PART NO. 202605**

Item No.	Part No.	No. Req'd	Description
1	<b>202604</b>	1	Body
2	<b>10268</b>	1	O-ring (1/2 X 3/8 X 1/16)
3	<b>202591</b>	1	Piston
4	<b>16708</b>	1	Compression Spring
5	<b>16937</b>	1	Set Screw

### REMOTE FOOT SWITCH FOR PE183CF



Item No.	Part No.	No. Req'd	Description
1	203759	1	Emergency Stop Decal
2	11203	2	Electrical Connector
3	17627	1	Foot Switch (Rocker; Shown without cover)
4	10196	1	Hex Nut (#8-32)
5	11388	1	Lockwasher (#8)
6	17644	1	Washer (#8 Shakeproof)
7	10962	1	Machine Screw (#8-32 X 1/2 Lg.)
8	203758	1	Decal (Set)
9	12321OR9	1	Electrical Enclosure
10	10160	2	Machine Screw (#6-32 X 7/8 Lg.)
11	17645	2	Washer (#6 Shakeproof)
12	39283	1	Pushbutton Switch
13	203757	1	Decal (Run)
14	51210OR9	1	Housing
15	12313	4	Cable Tie

## ELECTRICAL SCHEMATIC - FOOT SWITCH

115 Volt, 50/60 Hz. Single Phase  
with Remote Control Foot Switch



### WARNING

To help avoid personal injury, all electrical work must be done by a qualified electrician.

#### North American & International Color Codes

Conductors	North American	International
Line .....	Black .....	Brown
Neutral .....	White .....	Blue
Ground .....	Green .....	Green/Yellow

