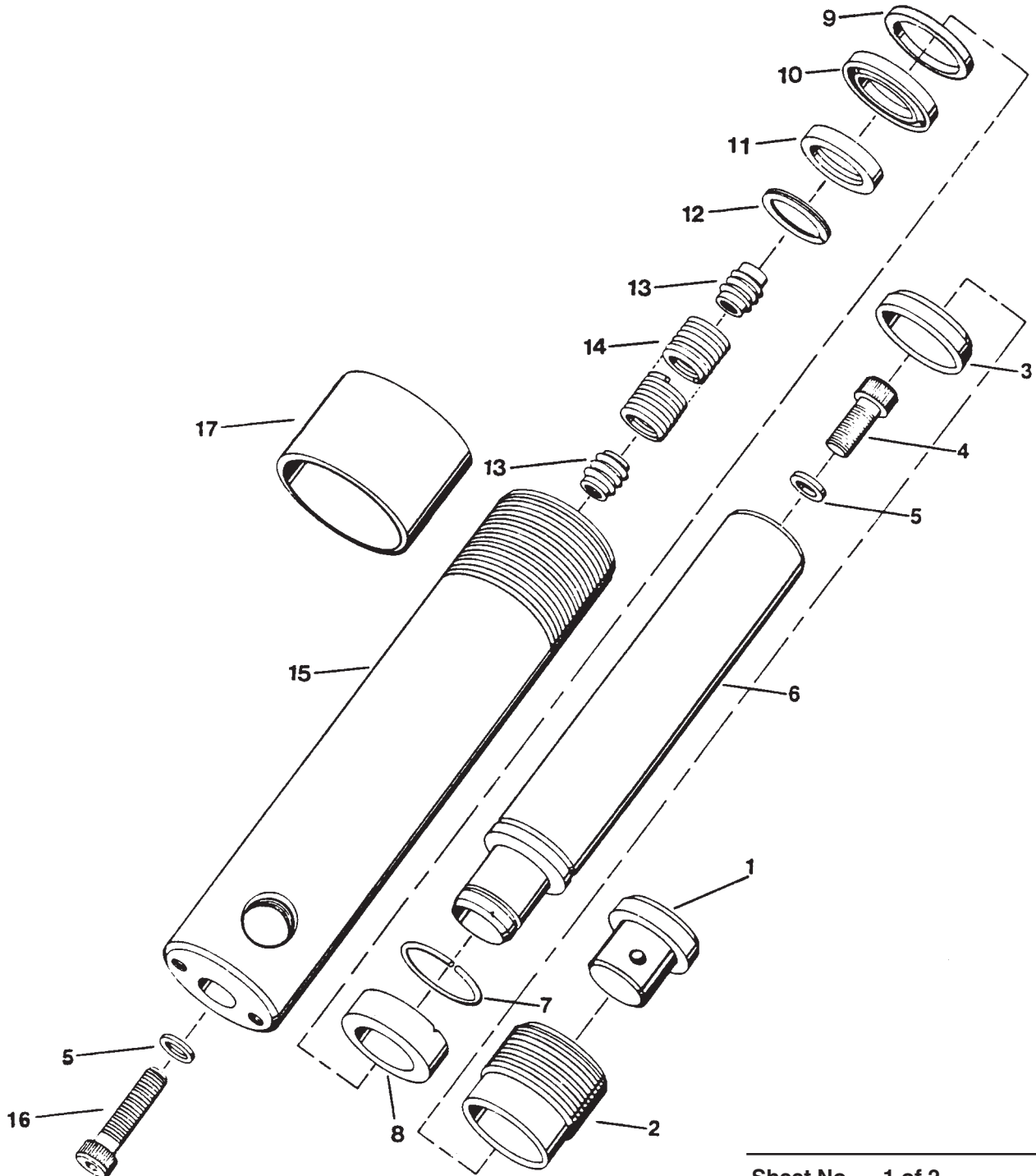


58346	C154C-PFAFF	C158C-ACC	C1514C-ABC
C151C	C154C-PTP	C158C-ADV	C1514C-OWENS
C151C-PFAFF	C156C	C1510C	C1516C
C152	C156C-CL	C1510C-ABC	C1516C-DOW
C152C	C156C-ACC	C1510C-EM	C1516C-TAL
C152C-ADV	C156C-KERK	C1510C-PFAFF	C1516C-PIG
C152C-RAN	C156C-PFAFF	C1510C-PTP	
C154C	C158C	C1512C	
C154-EMP	C158C-ABC	C1514C	

SINGLE-ACTING, SPRING RETURN HYDRAULIC CYLINDER

Max. Capacity: 15.7 (141,8 kN) Tons at 10,000 PSI (700 Bar)



Note: Shaded areas reflect last revision(s) made to this form.

Sheet No. 1 of 2

Rev. 8

Date: 5 May 1999

Parts List, Form No. 100648, Back sheet 1 of 2

Item No.	Part No.	No. Req'd	Description
1	201362	1	Threaded Adapter Ass'y (For all models except C1510C-EM, C158C-ADV, C1514C-OWENS, C1516C-TAL, C154-EMP, C1514C-ABC, C1510C-ABC, C1510C-PTP, C158C-ABC & C152C-ADV)
	201412	1	Threaded Adapter Ass'y (For C1510C-EM)
	202179	1	Threaded Adapter Ass'y (For C156C-CL)
2	306248	1	Retainer Nut (Torque to 90/100 in. lbs.)
3	*† 212017	1	Rod Wiper
4	*† 10020	1	Cap Screw (1-1/4 Lg.; Torque to 90/110 in. lbs. For all models except C1514C, C1516C, C1516C-DOW, C1514C-OWENS, C1516C-TAL, C1516C-PIG & C1514C-ABC)
	*† 16064	1	Cap Screw (3-1/2 Lg.; Torque to 90/110 in. lbs. For C1514C, C1514C-ABC, C1516C, C1514C-OWENS, C1516C-TAL, C1516C-PIG & C1516C-DOW)
5	*† 10442	2	Copper Washer (9/16 X 3/8 X 1/32)
6	52704	1	Piston Rod (For C151C & C151C-PFAFF)
	52707	1	Piston Rod (For C152C, C152C-RAN, C152 & C152C-ADV)
	52710	1	Piston Rod (For C154C, C154C-PFAFF & C154C-PTP)
	52610	1	Piston Rod (For C156C, C156C-CL, C156C-KERK, C156C-ACC & C156C-PFAFF)
	52685	1	Piston Rod (For 58346, C158C-ADV, C158C, C158C-ACC & C158C-ABC)
	52701	1	Piston Rod (For C1510C, C1510C-ABC, C1510C-PFAFF & C1510C-PTP)
	58087	1	Piston Rod (For C1510C-EM)
	58111	1	Piston Rod (For C1512C)
	58114	1	Piston Rod (For C1514C, C1514C-OWENS & C1514C-ABC)
	58373	1	Piston Rod (For C1516C, C1516C-TAL, C1516C-PIG & C1516C-DOW)
	58755	1	Piston Rod (For C154-EMP)
7	---	1	Retaining Ring (Note: This part is assembled on the piston rod [Item #6].)
8	212014	1	Piston Bearing (Assemble with groove toward shoulder)
9	† 213115	1	U-cup Backup Washer
10	* 212015	1	U-cup
	† 213114	1	U-cup
11	212016	1	Slip Retainer
12	* 211676	1	Retaining Ring
13	201360	2	Spring Retainer (See diagram on back sheet 2 of 2)
14	204249	1	Extension Spring (For C151C & C151C-PFAFF)
	201430	1	Extension Spring (For C152C, C152C-RAN, C152 & C152C-ADV)
	204250	1	Extension Spring (For C154C, C154C-PFAFF & C154C-PTP)
	201431	1	Extension Spring (For C156C, C156C-CL, C156C-KERK, C156C-ACC & C156C-PFAFF)
	207695	1	Extension Spring (For 58346, C158C-ADV, C158C, C158C-ACC & C158C-ABC)
	201432	1	Extension Spring (For C1510C, C1510C-EM, C1510C-ABC, C1510C-PFAFF & C1510C-PTP)
	207708	1	Extension Spring (For C1512C, C1514C, C1514C-OWENS & C1514C-ABC)
	251106	1	Extension Spring (For C1516C, C1516C-TAL, C1516C-PIG & C1516C-DOW)
	252044	1	Extension Spring (For C154-EMP)

Continued -

Note: Shaded areas reflect last revision(s) made to this form.

Item No.	Part No.	No. Req'd	Description
15	52703	1	Cylinder Body (For C151C & C151C-PFAFF)
	52706	1	Cylinder Body (For C152C, C152C-RAN, C152 & C152C-ADV)
	52709	1	Cylinder Body (For C154C, C154-EMP, C154C-PFAFF & C154C-PTP)
	52609	1	Cylinder Body (For C156C, C156C-CL, C156C-ACC & C156C-PFAFF)
	52684	1	Cylinder Body (For C158C, C158C-ADV, C158C-ACC & C158C-ABC)
	52700	1	Cylinder Body (For C1510C, C1510C-ABC, C1510C-PFAFF & C1510C-PTP)
	58088	1	Cylinder Body (For C1510C-EM)
	58104	1	Cylinder Body (For C1512C)
	58113	1	Cylinder Body (For C1514C, C1514C-OWENS & C1514C-ABC)
	58255	1	Cylinder Body (For C156C-KERK)
	58502	1	Cylinder Body (For C1516C)
	58372	1	Cylinder Body (For C1516C-DOW, C1516C-TAL & C1516C-PIG)
	58345	1	Cylinder Body (For 58346)
	16	10012	1
*†10020		1	Cap Screw (1-1/4 Lg.; Torque to 90/110 in. lbs., for C152C, C154C, C154-EMP, C152C-RAN, C152, C154C-PFAFF, C152C-ADV & C154C-PTP)
*†16064		1	Cap Screw (3-1/2 Lg.; Torque to 90/110 in. lbs., for C156C, C158C, C158C-ADV, C1510C, C156C-CL, C1514C-OWENS, C1514C, C1514C-ABC, C156C-KERK, C1516C, C1516C-PIG, C1516C-DOW, C156C-PFAFF, C1510C-ABC, C1510C-PFAFF, C1510C-PTP, C156C-ACC, C158C-ACC & C158C-ABC)
	*†10012	1	Cap Screw (7/8 Lg.; Torque to 90/110 in. lbs. for C151C & C151C-PFAFF)
17	306249	1	Thread Protector (All models except C158C-ADV, C152C-RAN, C1514C-OWENS, C1516C-TAL, C154-EMP, C1514C-ABC, C1510C-ABC, C158C-ABC)

PARTS INCLUDED BUT NOT SHOWN

9796	1	Ram Half Coupler w/ Dust Cap (For all models except C1510C-EM, C158C-ADV, C1516C-TAL, C154-EMP, C1514C-ABC, C1510C-ABC, C151C-PFAFF, C1510C-PTP, C158C-ABC & C154C-PTP)
211061	1	Plug (For C158C-ADV, C1516C-PIG & C1516C-TAL)
11127	1	Plug (For C1514C-OWENS, C152, C152C-RAN, C154-EMP, C1514C-ABC, C1510C-ABC, C1510C-PTP, C156C-ACC, C158C-CC, C158C-ABC & C154C-PTP)
*203908	1	Warning Decal (Shipped loose with C158C-ADV, C1510C-EM, C154-EMP & C154C-PTP)

Continued -

Note: Shaded areas reflect last revision(s) made to this form.

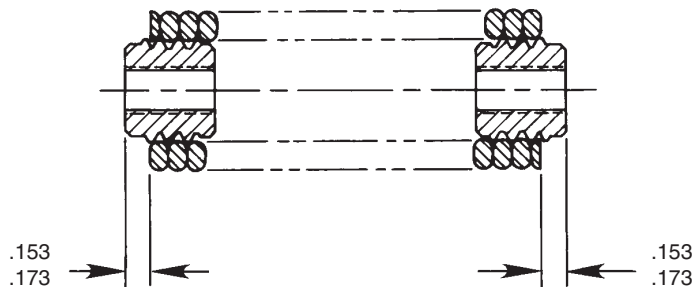
Item No.	Part No.	No. Req'd	Description
PARTS INCLUDED BUT NOT SHOWN (Continued)			
	420111	1	Complete Coverage Decal (For C151C)
	420112	1	Complete Coverage Decal (For C152C, C152C-RAN, C152 & C152C-ADV)
	420113	1	Complete Coverage Decal (For C154C)
	420114	1	Complete Coverage Decal (For C156C & C156C-CL)
	420115	1	Complete Coverage Decal (For C158C & C158C-ABC)
	420116	1	Complete Coverage Decal (For C1510C & C1510C-ABC)
	420224	1	Complete Coverage Decal (For C1512 C)
	420225	1	Complete Coverage Decal (For C1514C, C1514C-OWENS & C1514C-ABC)
	420642	1	Complete Coverage Decal (For C1516C, C1516C-TAL, C1516C-PIG & C1516C-DOW)
	202173	1	Decal (For C156C-KERK)
	†19526	1	O-ring (1" X 3/4 X 1/8; for coupler)
	†205724	1	Decal (Viton)
	13272	1	Plug (For C1510C-EM)
	203908-CE	1	Warning Decal (For C256C-PFAFF, C154C-PFAFF, C151C-PFAFF & C1510C-PFAFF)
	252184	1	Tradename Decal (For C154C-PFAFF, C156C-PFAFF, C151C-PFAFF & C1510C-PFAFF)

Part numbers marked with an asterisk (*) are contained in Standard Repair Kit No. 300453.

NOTE: #10020, #16064 & #10012 (Item's No. 4 & 16) included in repair kit are to be used only when replacing the piston rod (Item No. 6).

Part numbers marked with a dagger (†) are contained in Viton Seal Kit No. 300471.

SPRING & RETAINER ASSEMBLY



Refer to any operating instructions included with this product for detailed information about operation, testing, disassembly, reassembly, and preventive maintenance.

Items found in this parts list have been carefully tested and selected. **Therefore: Use only genuine Power Team replacement parts!**

Additional questions can be directed to our Technical Services Department.