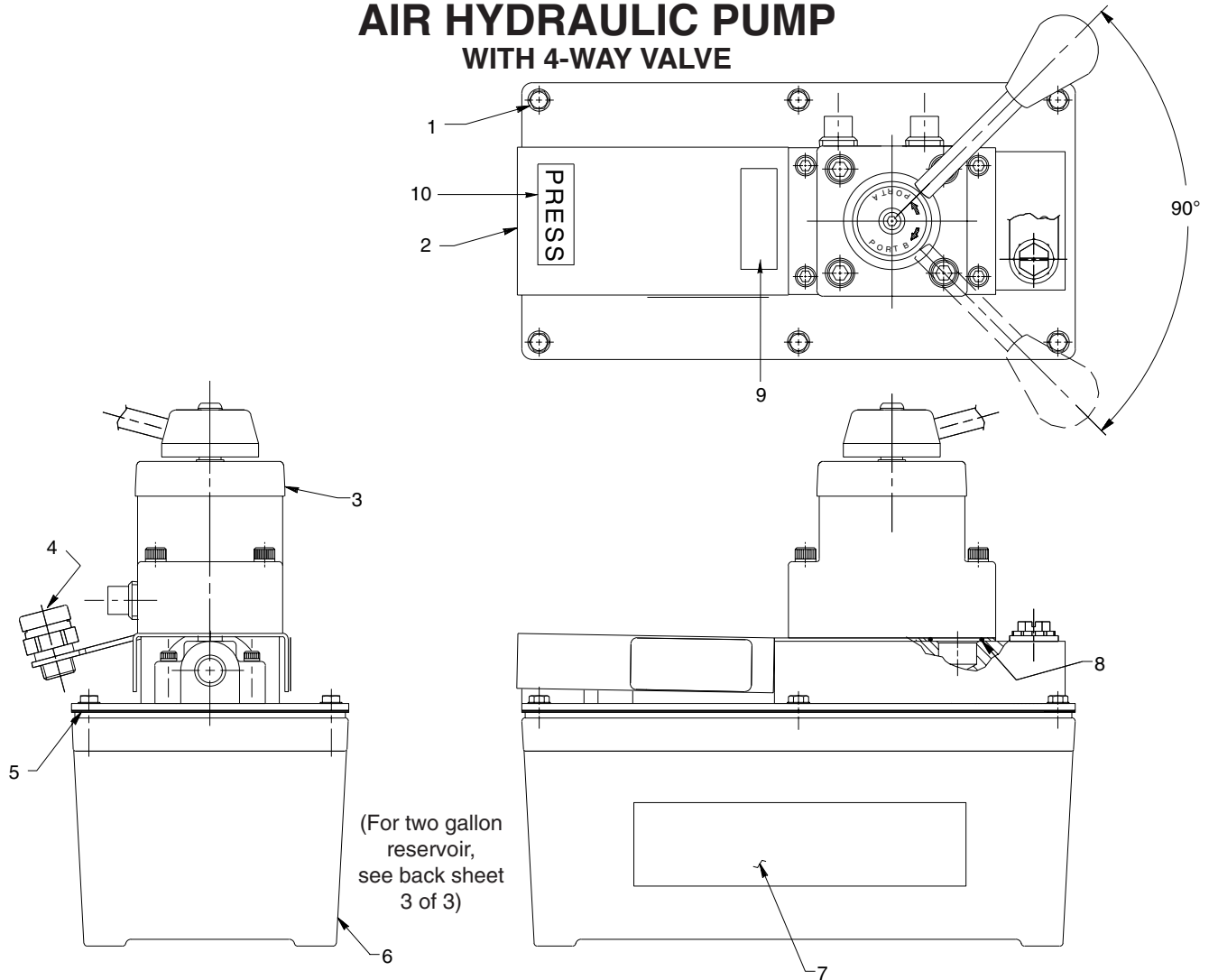


Parts List for:

D-01115AA
PA6D
PA6DM

PA6D2
PA6D2M
PA6D2PMM

**MODEL D
AIR HYDRAULIC PUMP
WITH 4-WAY VALVE**



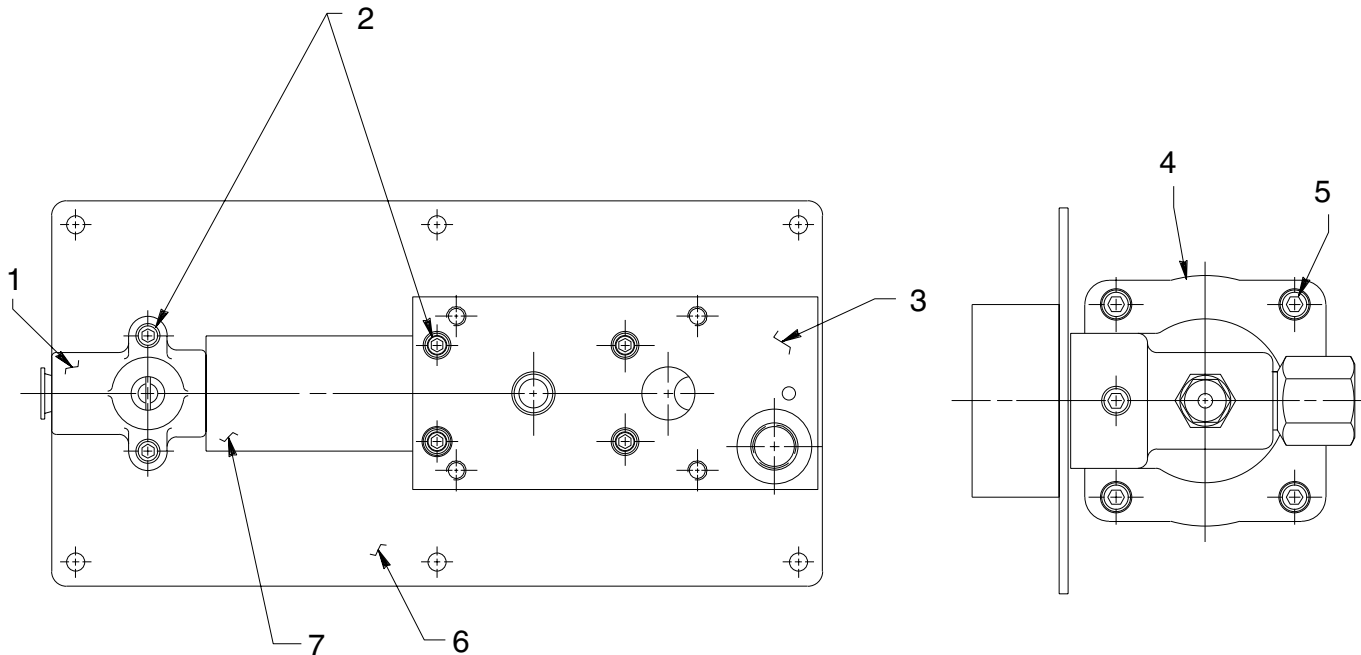
Item No.	Part No.	No. Req'd	Description
1	211060	6	Screw (#9-15 X 1" Lg.; Torque to 25/30 in. lbs. - For plastic reservoir)
	14456	6	Screw (#10-24 X 1/2 Lg.; Torque to 25/35 in. lbs. - For metal reservoir)
2	38956BK2	1	Foot Plate
3	9504	1	Manual Valve
4	24132S	1	Cap & Gasket Assembly
5	33853	1	Reservoir Gasket
6	61243	1	Reservoir (plastic)
	41300WH2	1	Reservoir (metal)
} See back sheet 3 of 3 for 2 gal. style.			
7	305496	1	Trade Name Decal (For PA6D & PA6DM)
	309219	2	Trade Name Decal (For PA6D2 & PA6D2M)
	201826	1	Trade Name Decal (For D-01115AA)

Item No.	Part No.	No. Req'd	Description
8	*10275	1	O-ring (15/16 X 3/4 X 3/32)
9	251762	1	Warning Decal
10	251757	1	Decal (Press)

Part numbers marked with an asterisk (*) are contained in Repair Kit No. 300433.

Note: Shaded areas reflect last revision(s) made to this form.

TOP & END VIEWS



Item No.	Part No.	No. Req'd	Description
1	37199	1	Intake Air Valve Body
2	11151	6	Cap Screw (10-24 UNC X 1-1/4 Lg.; Torque to 50/60 in. lbs.)
3	50888	1	Manifold
4	50494	1	Pump Body
5	17428	4	Cap Screw (1/4-20 UNC X 3-1/2 Lg.; Torque to 85/95 in. lbs. oiled. Note: Cross torque in increments of 30 in. lbs.)
6	51479BK2	1	Cover Plate
7	*29992	1	Foam Tube

Part numbers marked with an asterisk (*) are contained in Repair Kit No. 300433.

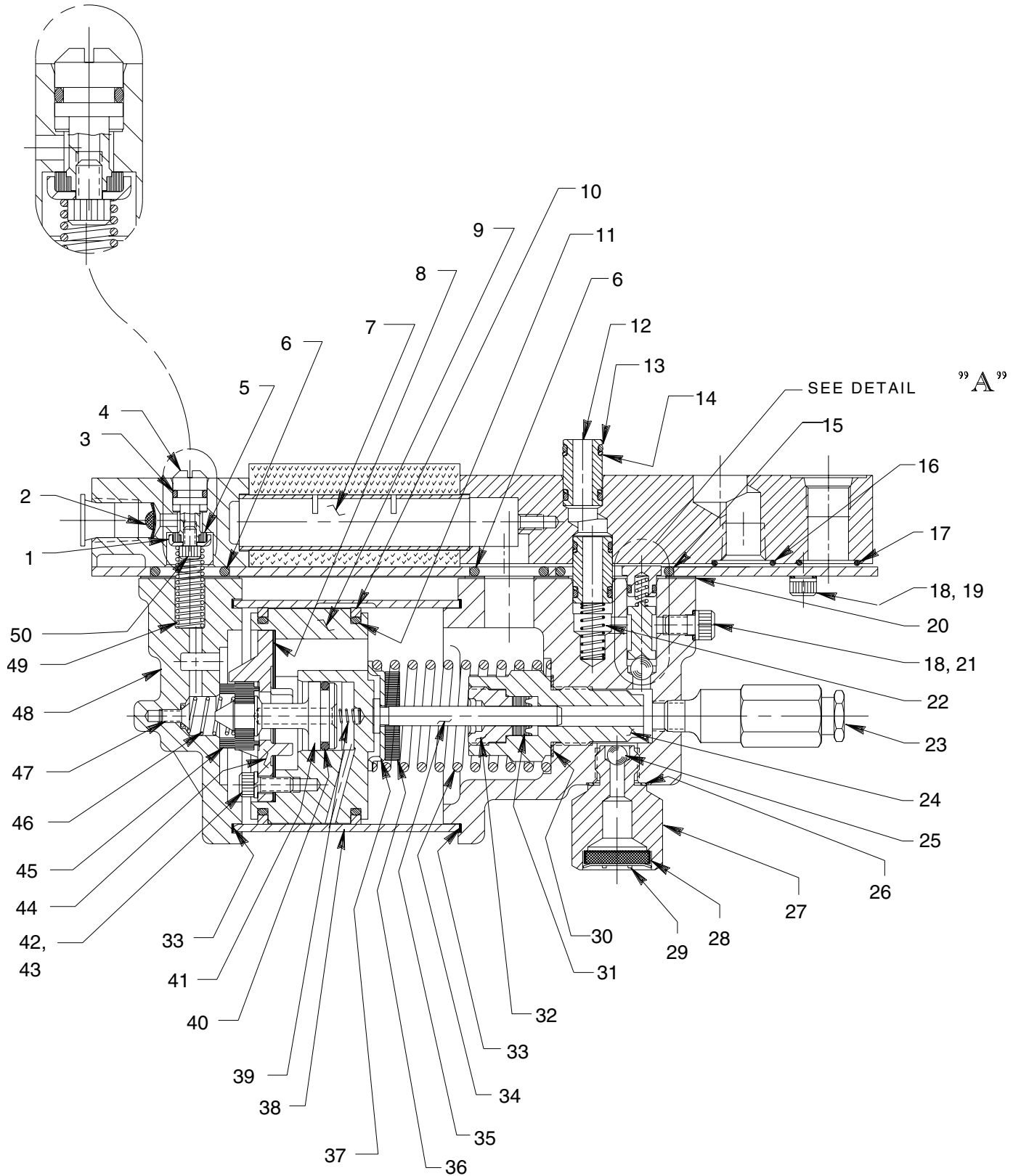
Refer to any operating instructions included with this product for detailed information about operation, testing, disassembly, reassembly, and preventive maintenance.

Items found in this parts list have been carefully tested and selected. **Therefore: Use only genuine Power Team replacement parts!**

Additional questions can be directed to our Technical Services Department.

Note: Shaded areas reflect last revision(s) made to this form.

BASIC PUMP ASSEMBLY



Parts List, Form No. 100677, Back sheet 2 of 3

Item No.	Part No.	No. Req'd	Description	Item No.	Part No.	No. Req'd	Description
1	28198	1	Seal Guide	24	45278	1	Piston Cylinder (Torque to 90/100 ft. lbs. oiled.)
2	*216296	1	Filter Disc	25	*10375	1	Steel Ball (1/4 Dia.)
3	*10267	1	O-ring (7/16 X 5/16 X 1/16; Nitrile)	26	*10261	1	Copper Washer (3/4 X 19/32 X 1/32)
	18974	1	O-ring (7/16 X 5/16 X 1/16; Viton)	27	308893	1	Filter Adapter
	13472	1	O-ring (7/16 X 5/16 X 1/16; EPR)	28	214578	1	Filter
4	33841	1	Actuator Button	29	214586	1	Internal Retaining Ring
5	28182	1	Air Valve Poppet	30	*10263	1	Copper Washer (1" X .765 X 1/32)
6	*251214	2	O-ring (1.002 x .720 x .141; Nitrile)	31	*13934	1	U-cup
	251217	2	O-ring (1.002 x .720 x .141; Viton)	32	*304295	1	Retainer (Note: Apply Loctite No. 277 to external threads and torque to 80/100 in. lbs.)
	251213	2	O-ring (1.002 x .720 x .141; EPR)	33	*17429	2	Backup Ring
7	28387	1	Muffler	34	*13938	1	Compression Spring (1.452 O.D. X 4-7/16 Lg.)
8	*28239	1	Gasket	35	28226	1	Piston
9	52390	1	Piston Body	36	203143	1	Bumper
10	*14265	2	Piston Ring	37	210994	1	Spring Guide
11	*11229	2	O-ring (2-3/8 X 2-3/16 X 3/32; Nitrile)	38	37434	1	Air Cylinder (Note: Locate groove on upper half [top] of pump with chamfered tube end towards rear head as shown.)
	11446	2	O-ring (2-3/8 X 2-3/16 X 3/32; Viton)	39	*12692	1	Compression Spring (3/16 O.D. X 1-11/16 Lg.)
	212888	2	O-ring (2-3/8 X 2-3/16 X 3/32; EPR)	40	*211052	1	O-ring (.900 X .706 X .097; Nitrile)
12	21094	2	Bushing		250192	1	O-ring (.900 X .706 X .097; Viton)
13	*10268	4	O-ring (1/2 X 3/8 X 1/16; Nitrile)		250193	1	O-ring (.900 X .706 X .097; EPR)
	19775	4	O-ring (1/2 X 3/8 X 1/16; Viton)	41	305475	1	Exhaust Valve Stem
	17716	4	O-ring (1/2 X 3/8 X 1/16; EPR)	42	10241	3	Lockwasher (For #10 bolt)
14	*11863	4	PTFE Backup Washer	43	211054	3	Screw (#10-24 X 1/2 Lg.)
15	*251215	1	O-ring (1.494 x 1.212 x .141; Nitrile)	44	33822	1	Piston End Plate
	251216	1	O-ring (1.494 x 1.212 x .141; Viton)	45	*28183	1	Piston Poppet
	251212	1	O-ring (1.494 x 1.212 x .141; EPR)	46	*205679	1	Compression Spring (.485 O.D. X .915 Lg.)
16	*10304	1	O-ring (1" X 7/8 X 1/16; Nitrile)	47	*205674	1	Screw (8-32 UNC X 3/8 Lg.; Torque to 12/18 in. lbs.)
	18978	1	O-ring (1" X 7/8 X 1/16; Viton)	48	51480	1	Rear Head
	14286	1	O-ring (1" X 7/8 X 1/16; EPR)	49	12691	1	Compression Spring (3/8 O.D. X 1-1/2 Lg.)
17	*12549	1	O-ring (13/16 X 11/16 X 1/16; Nitrile)	50	13936	1	Cap Screw (8-32 UNC x 1/4 Lg.)
	19525	1	O-ring (13/16 X 11/16 X 1/16; Viton)				
	250195	1	O-ring (13/16 X 11/16 X 1/16; EPR)				
18	10807	1	Cap Screw (1/4-20 UNC X 1/2 Lg.)				
19	*10442	2	Washer (3/8 X 1/4 X 1/32)				
20	*34283	1	Gasket				
21	10002	1	Cap Screw (1/4-20 UNC X 3/8 Lg.; Torque to 90/110 in. lbs.)				
22	16448	1	Compression Spring (5/16 O.D. x 13/16 Lg.)				
23	21278	1	Relief Valve Assembly (See Note below)				

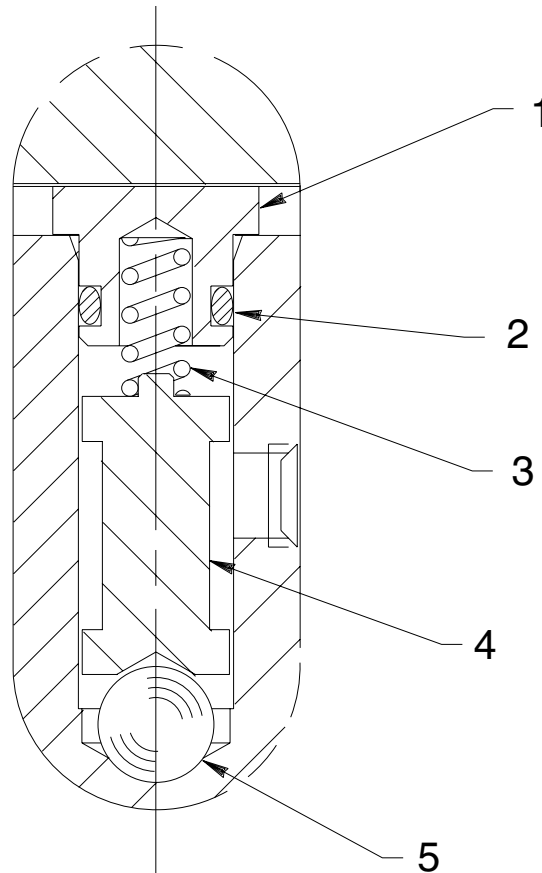
Part numbers marked with an asterisk (*) are contained in Repair Kit No. 300433.

NOTE

Standard relief valves are set at 10,100/10,700 PSI.
 Relief valves pre-set at special settings are available.
 Refer to your pump model number or contact Power Team Technical Services.

Note: Shaded areas reflect last revision(s) made to this form.

DETAIL "A"

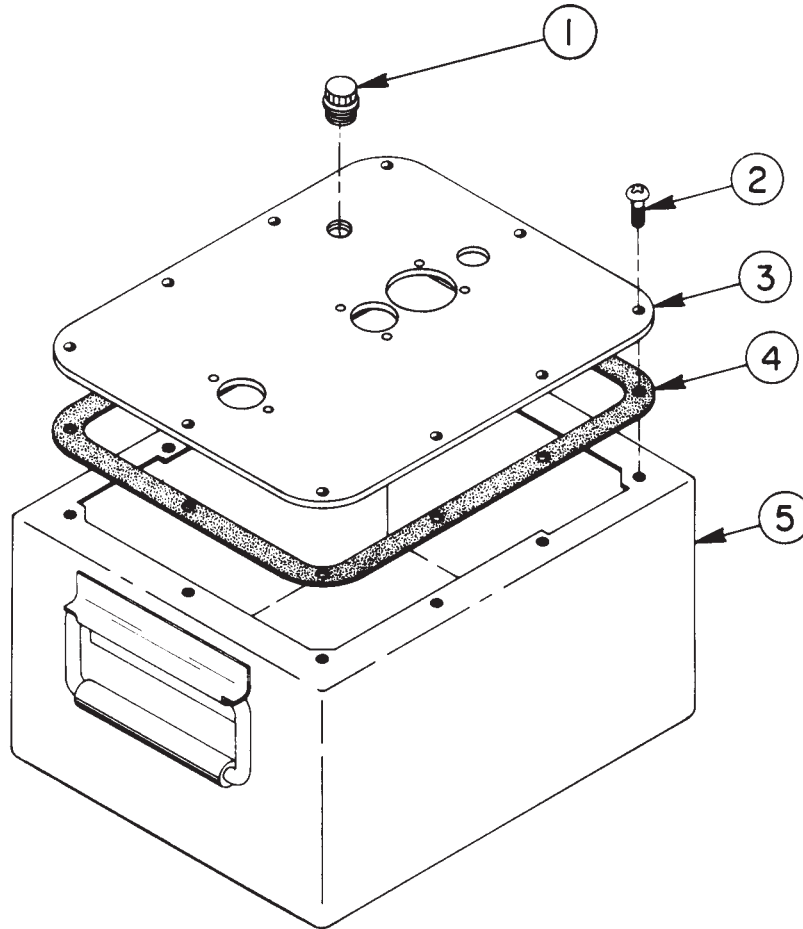


Item No.	Part No.	No. Req'd	Description
1	36497	1	Check Valve Retainer
2	*10266	1	O-ring (3/8 X 1/4 X 1/16; Nitrile)
	11438	1	O-ring (3/8 X 1/4 X 1/16; Viton)
	17715	1	O-ring (3/8 X 1/4 X 1/16; EPR)
3	10445	1	Compression Spring (5/32 O.D. X 3/4 Lg.)
4	202568	1	Ball Guide
5	*10423	1	Steel Ball (9/32 Dia.)

Part numbers marked with an asterisk (*) are contained in Repair Kit No. 300433.

Note: Shaded areas reflect last revision(s) made to this form.

TWO GALLON RESERVOIR ASSEMBLY



Item No.	Part No.	No. Req'd	Description
1	24132S	1	Cap & Gasket Assembly
2	10177	10	Machine Screw (1/4-20 UNC X 3/4 Lg.; For use with metal reservoir)
	209799	10	Machine Screw (1/4-10 X 7/8 Lg. Self-tapping; For use with plastic reservoir)
3	51715BK2	1	Cover Plate
4	47409	1	Cover Plate Gasket
5	61620BK2	1	Two Gallon Metal Reservoir
	61165	1	Two Gallon Plastic Reservoir (Not shown)

