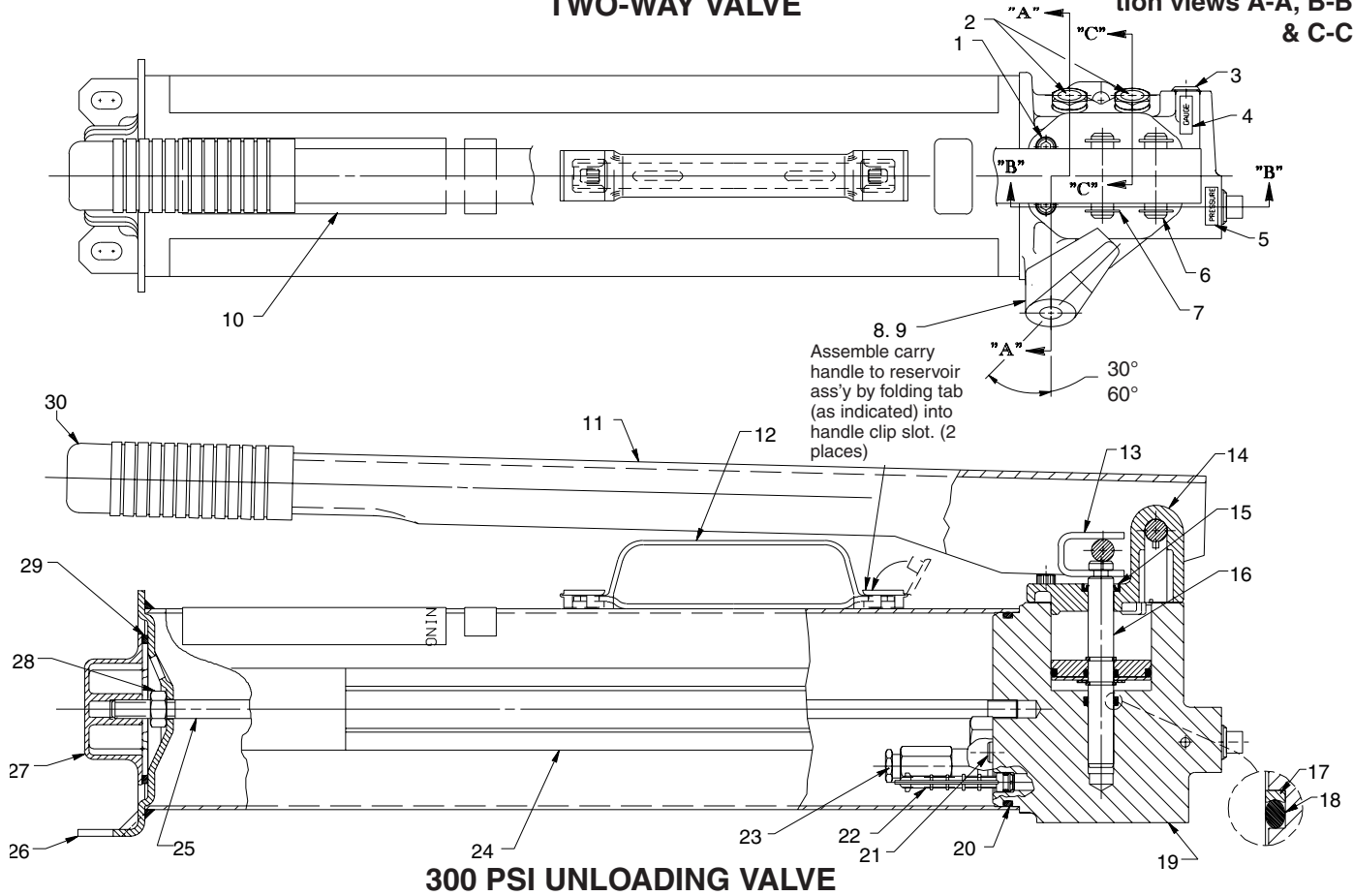


Parts List for:

4016	61871	P157-BRICK-EPR
61821	61872	P157-LUAM
61822	JT05845	P159
61823-GRC	P157	P159 Series
61869	P157 Series	P159-GRC

**TWO-STAGE
HYDRAULIC HAND PUMP
TWO-WAY VALVE**

See pg. 2 of 2 for section views A-A, B-B, & C-C.

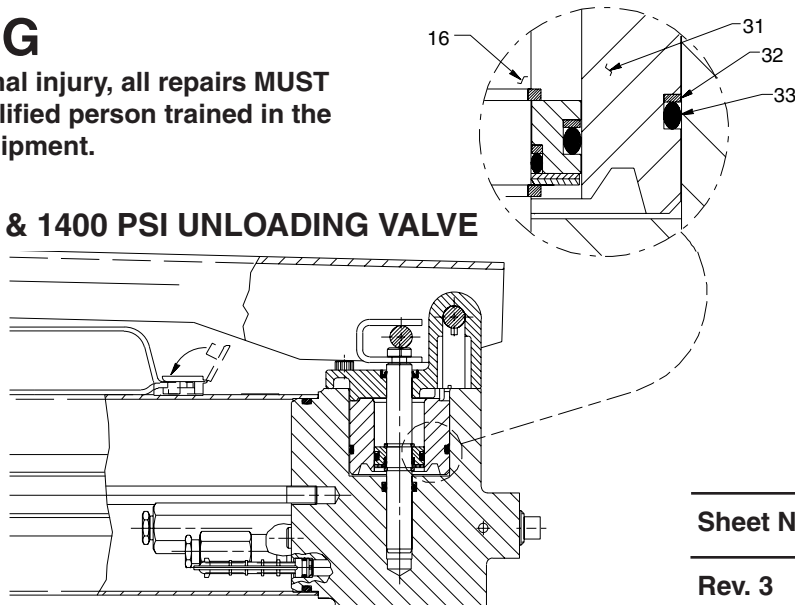


300 PSI UNLOADING VALVE

! WARNING

To help prevent personal injury, all repairs **MUST** be performed by a qualified person trained in the repair of hydraulic equipment.

1000 & 1400 PSI UNLOADING VALVE



Parts List, Form No. 100706, Back sheet 1 of 2

Item No.	Part No.	No. Req'd	Description	Item No.	Part No.	No. Req'd	Description
1	10008	4	Cap Screw (1/4-20 UNC x 3/4 Lg.)	19	61804	1	Pump Body
2	†*215907	2	Decal (DO NOT REMOVE)	20	*214693	1	O-ring (3-7/8 x 3-5/8 x 1/8)
3	14972	1	Plug (1/4 NPTF)		†19048	1	O-ring (3-7/8 x 3-5/8 x 1/8)
4	215300	1	Decal (GAUGE)		*214072	1	O-ring (3-7/8 x 3-5/8 x 1/8)
5	215301	1	Decal (PRESSURE)	21	10427	1	Plug (1/8 NPTF)
6	211742	2	Dowel Pin	22	*215075	1	Filter Plug
7	211743	4	Retaining Ring (For 7/16" shaft)	23	21278	1	High Pressure Relief Valve (Set at 10,100/10,700 PSI; See note below)
8	21643	1	Knob	24	308477	1	Trade Name Decal (For 4016)
9	10556	2	Set Screw (Torque to 50/70 in. lbs.)		308478	1	Trade Name Decal (For P157)
10	*305977	1	Warning Decal		308468	1	Trade Name Decal (For P159)
11	61806OR9	1	Handle (For 61823-GRC, P157, P157-BRICK-EPR, P159, & P159-GRC)		201826	1	Trade Name Decal (For JT05845)
	61806BL2	1	Handle (For 4016 & 61869)		16277	1	Trade Name Decal (For 61823-GRC & P159-GRC)
	61806BR13	1	Handle (For JT05845)	25	211547	1	Tie Rod
	61806WH2	1	Handle (For 61821)	26	58041	1	Reservoir Assembly (For 4016, 61822, 61869, P157, P159, P157-BRICK-EPR, & P159-GRC)
	61806YE3	1	Handle (For 61822 & P157-LUAM)		53095	1	Cap and Reservoir Assembly (For 61821, 61823-GRC, 61871, 61872, & JT05845)
	47417	1	Handle Assembly (For 61871 & 61872)		53322	1	Cap and Reservoir Assembly (For P157-LUAM)
12	58048	1	Carry Handle (For 4016, 61822, 61869, P157, P157-BRICK-EPR, P159, & P159-GRC)	27	52711	1	Reservoir Cap (Torque to 80/100 in. lbs.)
13	211470	1	Piston Clip	28	10204	1	Hex Nut (3/8-16 UNC; Torque to 150/170 in. lbs.)
14	58031	1	Pump Body Cap	29	*212739	1	Fill Cap Gasket
15	*15092	1	Rod Wiper		†250731	1	Fill Cap Gasket
	†19321	1	Rod Wiper	30	*250732	1	Fill Cap Gasket
	*250841	1	Rod Wiper		211769	1	Handle Grip
16	251336	1	Piston Ass'y (Nitrile) } For P157	30	206731	1	Handle Grip (For 61871 & 61872)
	251514	1	Piston Ass'y (Viton) } For P157		206731	1	Handle Grip (For 61871 & 61872)
	251515	1	Piston Ass'y (EPR) } For P159	31	308486	1	Adapter
	251377	1	Piston Ass'y (Nitrile) } For P159	32	*†19137	1	O-ring Backup Washer (2" x 1-13/16 x 3/64)
	251516	1	Piston Ass'y (Viton) } For P159		*10913	1	O-ring (2" x 1-13/16 x 3/32)
	251517	1	Piston Ass'y (EPR) } For P159		†19015	1	O-ring
17	*†213987	1	O-ring Backup Washer		*14287	1	O-ring
18	*10271	2	O-ring (11/16 x 1/2 x 3/32, -112; For 4016, 61821, 61822, 61869, JT05845, 61823-GRC, P159, & P159-GRC)	33			
	*10271	1	O-ring (11/16 x 1/2 x 3/32; For 61871, 61872, P157, & P157-LUAM)				
	†11445	2	O-ring (11/16 x 1/2 x 3/32; For 4016, 61821, 61822, 61869, JT05845, 61823-GRC, P159, & P159-GRC)				
	†11445	1	O-ring (11/16 x 1/2 x 3/32; For 61871, 61872, P157, & P157-LUAM)				
	*19406	2	O-ring (11/16 x 1/2 x 3/32; For 4016, 61821, 61822, 61869, JT05845, 61823-GRC, P159, & P159-GRC)				
	*19406	1	O-ring (11/16 x 1/2 x 3/32; For 61871, 61872, P157, & P157-LUAM)				

PARTS INCLUDED BUT NOT SHOWN

10029	4	Cap Screw (5/16-18 UNC x 3/4 Lg.; For 61871 & 61872)
10474	1	Fitting (For 61871)
36890	1	Hose Assembly (For 61871)
†205724	1	Decal (Viton seals)
*250328	1	Decal (EPR seals)

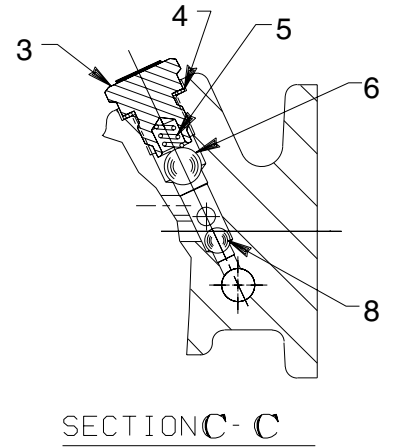
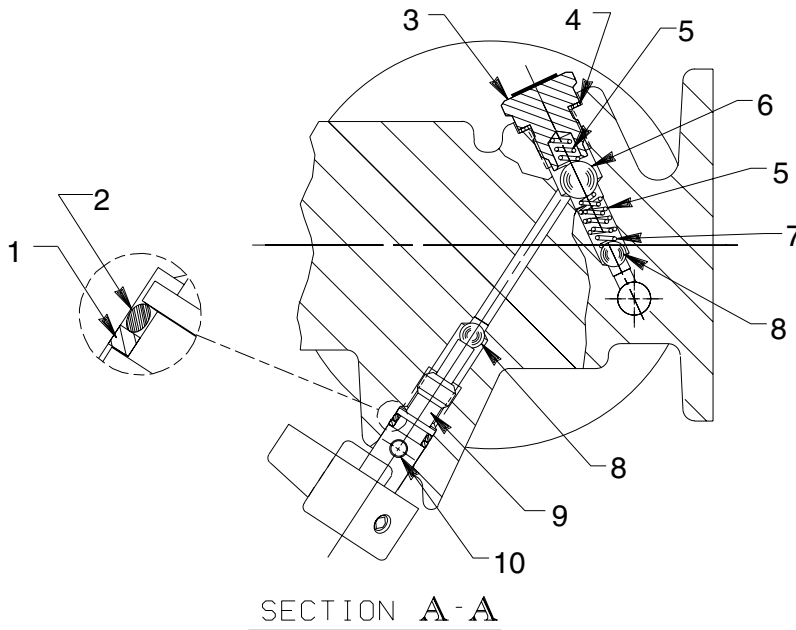
Note: Standard relief valves are set at 10,100/10,700 PSI. Relief valves pre-set at special settings are available. Refer to your pump model number or contact Power Team Technical Services.

Part numbers marked with an asterisk (*) are contained in Standard Repair Kit No. 300487.

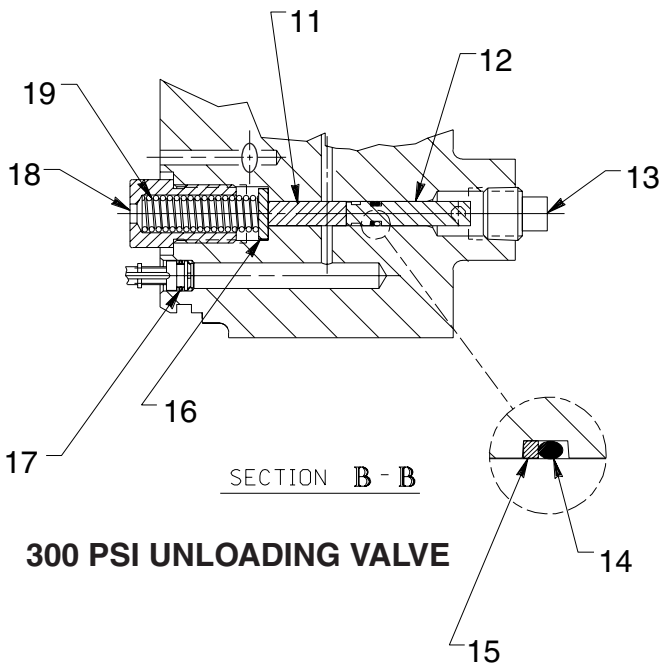
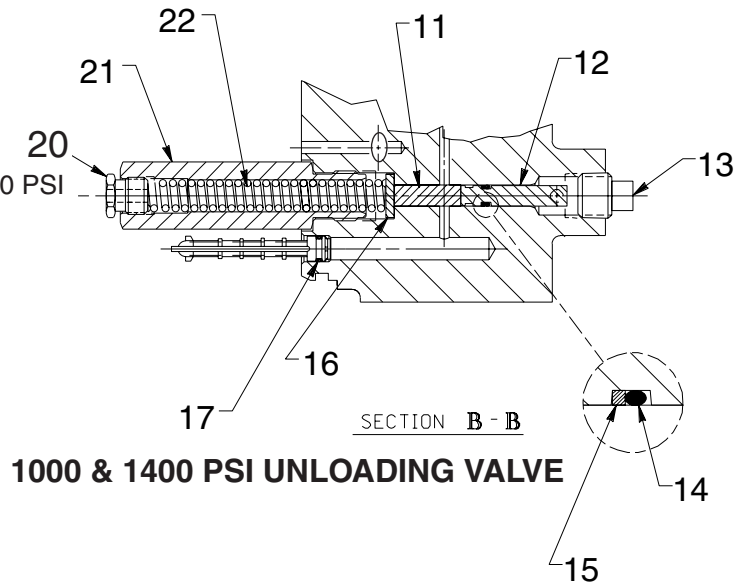
Part numbers marked with a dagger (†) are contained in Viton Seal Kit No. 300509.

Part numbers marked with a bullet (•) are contained in EPR Seal Kit No. 300501.

SECTION VIEWS



Adjust to 1,300/1,500 PSI
unloading pressure
(900/1,100 PSI for
P157-BRICK-EPR)



Parts List, Form No. 100706, Back sheet 2 of 2

Item No.	Part No.	No. Req'd	Description
1	*†•15085	1	O-ring Backup Washer (7/16 x 5/16 x 3/64)
2	*10267	1	O-ring (7/16 x 5/16 x 1/16)
	†18974	1	O-ring
	•13472	1	O-ring
3	305975	2	Valve Screw (Torque to 350/370 in. lbs.)
4	*14874	2	Copper Washer (.700 x 1/2 x 1/32 thk.)
5	*10444	3	Compression Spring (3/16 I.D. x 13/32 Lg.)
6	*10378	2	Steel Ball (3/8 dia.)
7	*211797	1	Compression Spring (5/32 O.D. x 5/8 Lg.)
8	*10375	3	Steel Ball (1/4 dia.)
9	350185	1	Release Valve Screw
10	15528	1	Nylon Ball (Note: Push in nylon ball until it bottoms out in hole. Permissible to flatten ball during installation.)
11	14588	1	Dowel Pin
12	214691	1	Unloading Valve Piston
13	11127	1	Plug (3/8 NPTF)
	11127	2	Plug (3/8 NPTF; For P157-LUAM)
14	*10265	1	O-ring (5/16 x 3/16 x 3/64)
	†11437	1	O-ring
	•17714	1	O-ring
15	*†•15174	1	O-ring Backup Washer (5/16 x 3/16 x 3/64)
16	214692	1	Unloading Valve Washer
17	*12557	1	O-ring (11/32 x 7/32 x 1/16)
	†18973	1	O-ring
	•215375	1	O-ring
18	308430	1	Spring Retainer (For 4016, 61821, 61822, 61823-GRC, JT05845, P159, & P159-GRC)
19	214694	1	Compression Spring (For 4016, 61821, 61822, 61872, JT05845, P159, & P159-GRC)
20	305912	1	Valve Adjusting Screw (For 61871, 61872, P157, P157-LUAM & P157-BRICK-EPR)
21	308488	1	Spring Retainer
22	214808	1	Compression Spring (15/32 O.D. x 4-7/16 Lg.; For 61871, 61872, P157, P157-LUAM & P157-BRICK-EPR)

Part numbers marked with an asterisk (*) are contained in Standard Repair Kit No. 300487.

Part numbers marked with a dagger (†) are contained in Viton Seal Kit No. 300509.

Part numbers marked with a bullet (•) are contained in EPR Seal Kit No. 300501.

Note: Shaded areas reflect last revision(s) made to this form.

Refer to any operating instructions included with this product for detailed information about operation, testing, disassembly, reassembly, and preventive maintenance.

Items found in this parts list have been carefully tested and selected. **Therefore: Use only genuine replacement parts!**

Additional questions can be directed to our Technical Services Department.