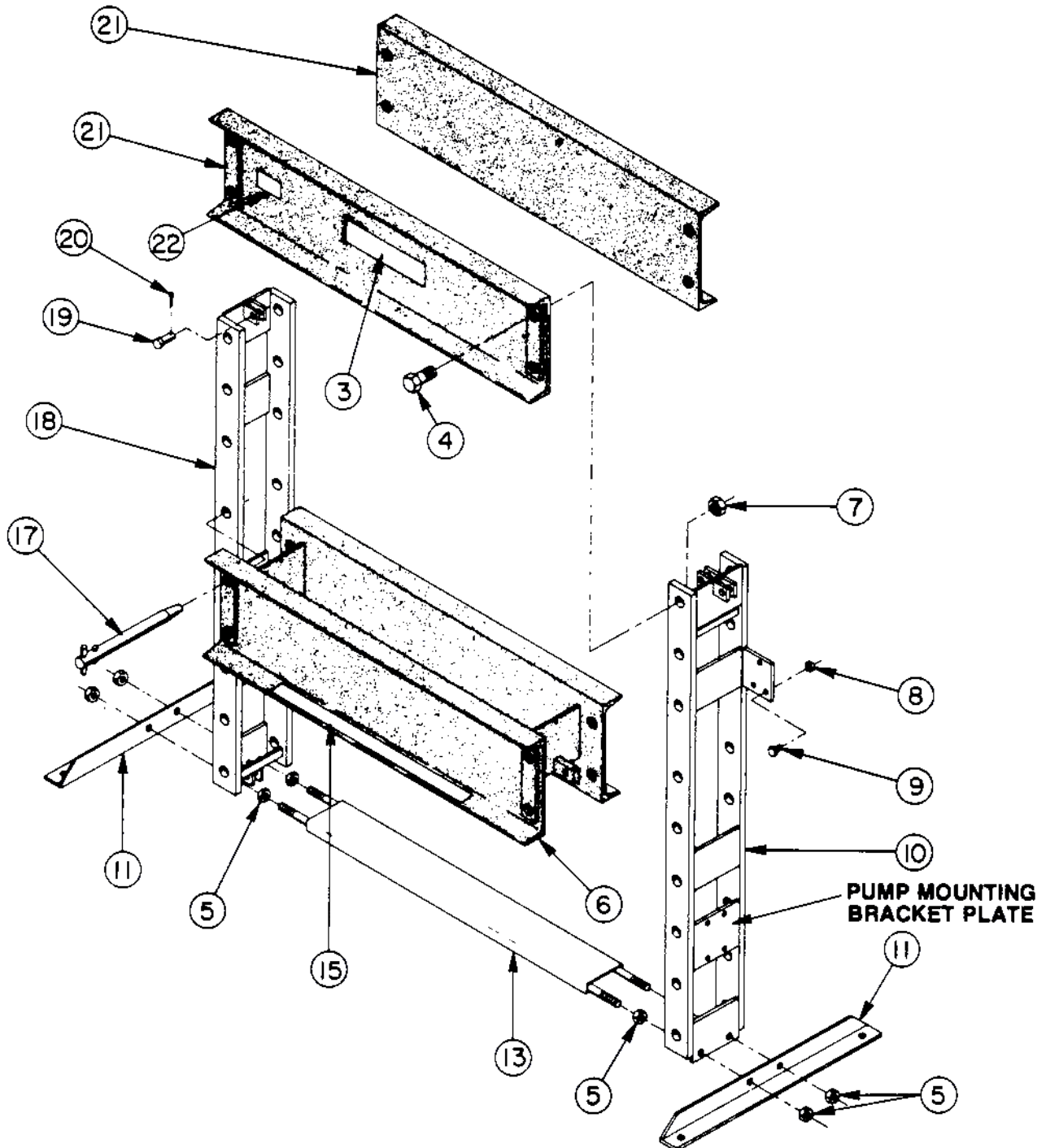


Parts List for:

- | | |
|------------|---------------------------|
| SPE10010 | SPF100 (press frame only) |
| SPE10010R | SPM10010 |
| SPE10013DS | |

100 TON SHOP PRESS Frame Assembly

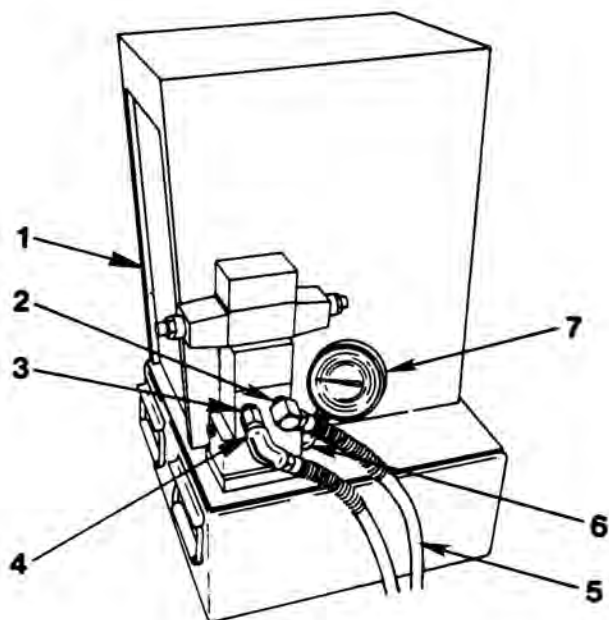


| Item No. | Part No. | No. Req'd | Description |
|----------|----------|-----------|--|
| 3 | 36586 | 1 | Trade Name Decal |
| 4 | 204344 | 8 | Special Cap Screw |
| 5 | 10397 | 8 | Hex Nut (3/4-10) |
| 6 | 61144OR9 | 1 | Lower Bolster |
| 7 | 10406 | 8 | Hex Jam Nut (1-3/8 -12; Torque to 275/300 ft. lbs.) |
| 8 | 10204 | 3 | Hex Nut (3/8-16) |
| 9 | 10049 | 3 | Hex Hd. Cap Screw (3/8-16 x 1" Lg.) |
| 10 | 51229 | 1 | Upright, R.H. |
| 11 | 25849 | 2 | Foot Angle |

| Item No. | Part No. | No. Req'd | Description |
|----------|----------|-----------|---------------------------------------|
| 13 | 43176 | 1 | Upright Spacer |
| 15 | 46909 | 1 | Warning Decal |
| 17 | 38166 | 4 | Cross Pin |
| 18 | 51230 | 1 | Upright, L.H. |
| 19 | 16654 | AR | Clevis Pin |
| 20 | 10472 | AR | Cotter Pin (1/8 Dia. x 1-1/2" Lg.) |
| 21 | 43148OR9 | 2 | Upper Bolster |
| 22 | 206043 | 1 | Instruction Decal |
| | | | Parts Included but Not Shown |
| | 310051 | 1 | Made in USA Decal |

AR = As Required

PQ603 OR PQ1204S ELECTRIC PUMP HOOKUP



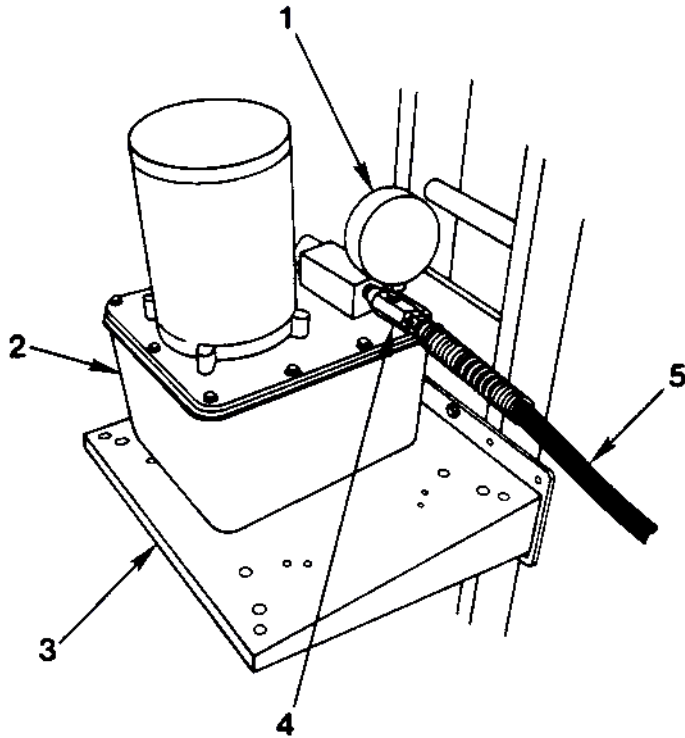
| Item No. | Part No. | No. Req'd | Description |
|----------|----------|-----------|--|
| 1 | PQ603 | 1 | Electric Pump (see Form #100353; for SPE 10010) |
| | PQ1204S | 1 | Electric Pump (see Form #100353; for SPE10013DS) |
| 2 | 10474 | 1 | Elbow Fitting (90° x 3/8 NPTF; used on all pumps) |
| 3 | 9683 | 1 | Straight Fitting (3/8 NPTF; for SPE10013DS) |
| 4 | 10647 | 1 | Elbow Fitting (90° x 3/8 NPTF; for SPE10013DS) |
| 5 | 350158 | 1 | Hyd. Hose, 10 ft. (for SPE10010) |
| | 350158 | 2 | Hyd. Hose, 10 ft. (for SPE10013DS) |
| 6 | 10645 | 1 | 45° Street Elbow (for SPE10010 & SPE10013DS) |
| 7 | 9075 | 1 | Gauge |
| | | | Parts Included but Not Shown |
| | 50931 | 1 | Pump Mounting Bracket |

Refer to any operating instructions included with this product for detailed information about operation, testing, disassembly, reassembly, and preventive maintenance.

Items found in this parts list have been carefully tested and selected. **Therefore: Use only genuine replacement parts!**

Additional questions can be directed to our Technical Services Department.

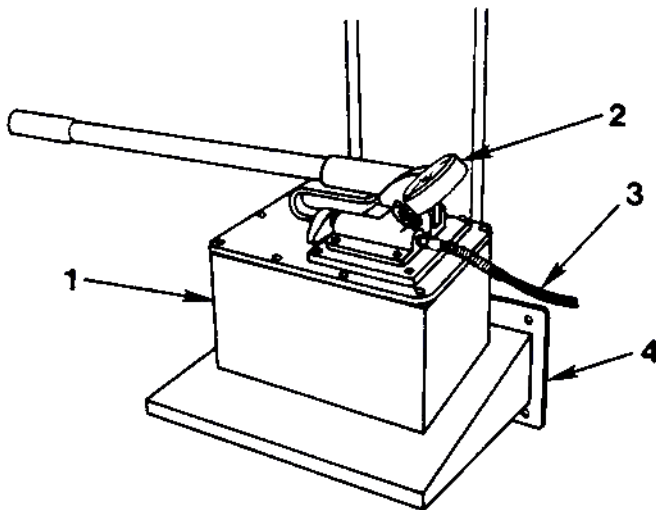
PE172 ELECTRIC PUMP



| Item No. | Part No. | No. Req'd | Description |
|----------|----------|-----------|--|
| 1 | 9075 | 1 | Gauge |
| 2 | PE172 | 1 | Electric Pump (see Form #100577; for SPE10010R) |
| 3 | 50931 | 1 | Pump Mounting Bracket |
| 4 | 350527 | 1 | Tee Adapter |
| 5 | 350158 | 1 | Hyd. Hose, 10 ft. |

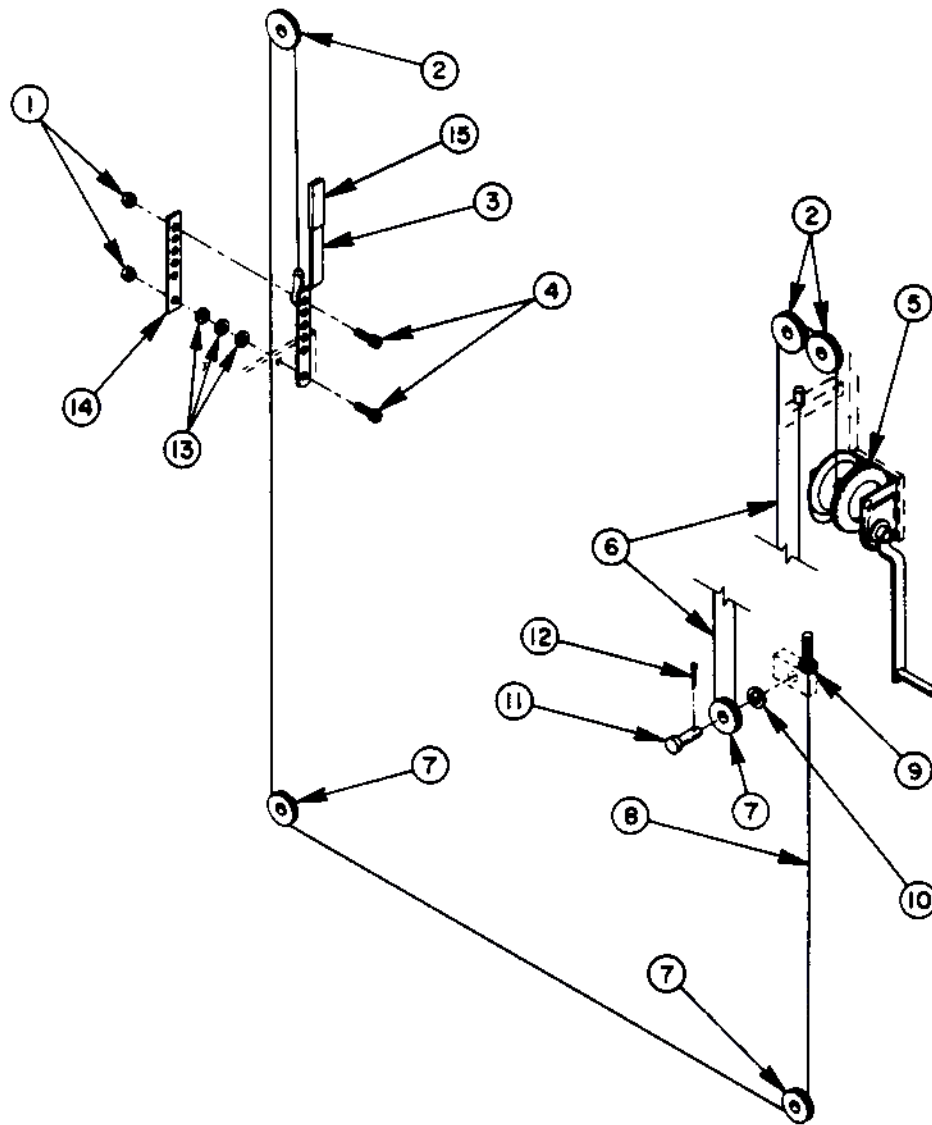
Note: Pump mounting hardware is included with the pump.

P460 HAND PUMP



| Item No. | Part No. | No. Req'd | Description |
|----------|----------|-----------|--|
| 1 | P460 | 1 | Hand Pump (see Form #100390; for SPM10010) |
| 2 | 9075 | 1 | Gauge |
| 3 | 350158 | 1 | Hyd. Hose, 10 ft. |
| 4 | 50931 | 1 | Pump Mounting Bracket |

CABLE ASSEMBLY

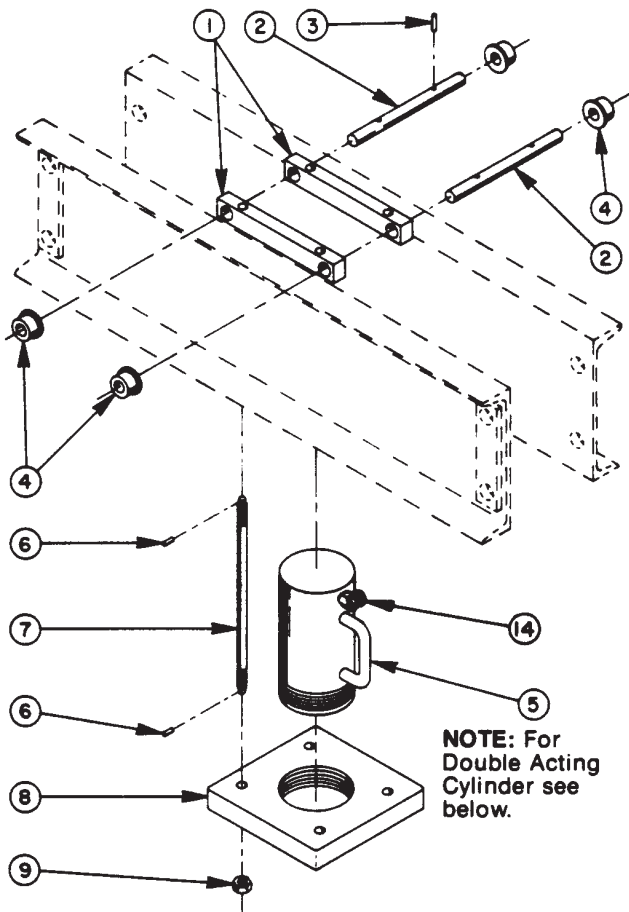


| Item No. | Part No. | No. Req'd | Description |
|----------|----------|-----------|------------------------------------|
| 1 | 12809 | 2 | Locknut (1/4-20) |
| 2 | 16659 | 3 | Pulley (3" O.D.) |
| 3 | 38579 | 1 | Handle |
| 4 | 10020 | 2 | Cap Screw (1/4-20 x 1-1/4" lg.) |
| 5 | 18895-1 | 1 | Winch |
| 6 | 207043 | 1 | Winch Cable |
| 7 | 16653 | 3 | Pulley (2-1/2 O.D.) |
| 8 | 38200 | 1 | Press Cable |

| Item No. | Part No. | No. Req'd | Description |
|----------|----------|-----------|------------------------|
| 9 | 10204 | 1 | Hex Nut (3/8-16) |
| 10 | 12330 | 1 | Washer (for 3/4" bolt) |
| 11 | 16654 | AR | Clevis Pin |
| 12 | 10472 | AR | Cotter Pin |
| 13 | 12719 | 3 | Washer (for 1/4" bolt) |
| 14 | 201929 | 1 | Cable Strap |
| 15 | 17241 | 1 | Handle Grip |

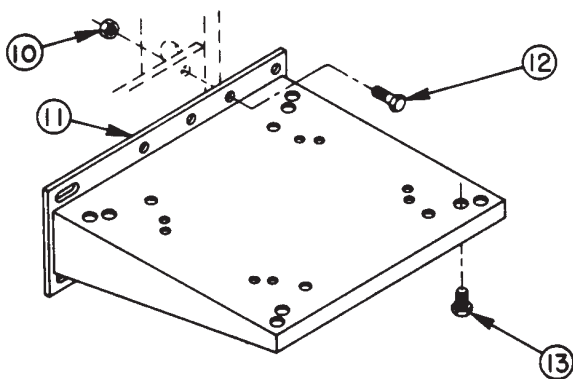
AR=As Required

CYLINDER MOUNTING ASSEMBLY



| Item No. | Part No. | No. Req'd | Description |
|----------|----------|-----------|---|
| 1 | 44419 | 2 | Bar |
| 2 | 302551 | 2 | Bar |
| 3 | 10982 | 4 | Roll Pin (1/4 dia. x 1-1/2" lg.) |
| 4 | 206944 | 4 | Roller |
| 5 | 52434 | 1 | Single-Acting Cylinder (see Form #100385; for SPE10010, SPM10010, & SPE10010R; includes Item 14) |
| | 51683 | 1 | Double-Acting Cylinder (see Form #100302; for SPE10013DS; includes Item 14) |
| 6 | 10585 | 8 | Roll Pin (1/4 dia. x 1" lg.) |
| 7 | 302549 | 4 | Threaded Rod |
| 8 | 52451 | 1 | Ram Mounting Plate (for SPE10010, SPM10010, & SPE10010R) |
| | 51786 | 1 | Ram Mounting Plate (for SPE10013DS) |
| 9 | 10216 | 4 | Hex Nut (3/4-10 UNC) |
| 10 | 10204 | 2 | Hex Nut (3/8-16) |
| 11 | 50931 | 1 | Pump Mounting Bracket |
| 12 | 10052 | 2 | Hex Hd. Cap Screw (3/8-16 x 1-1/4" lg.) |
| 13 | 10798 | 4 | Hex Hd. Cap Screw (1/2-20 x 3/4" lg.) |
| 14 | 10648 | 1 | 45° Elbow Fitting (included with 52434 Single-Acting Cylinder) |
| 15 | 10648 | 2 | 45° Elbow Fitting (included with 51683 Double-Acting Cylinder) |

PUMP MOUNTING BRACKET



DOUBLE-ACTING CYLINDER

