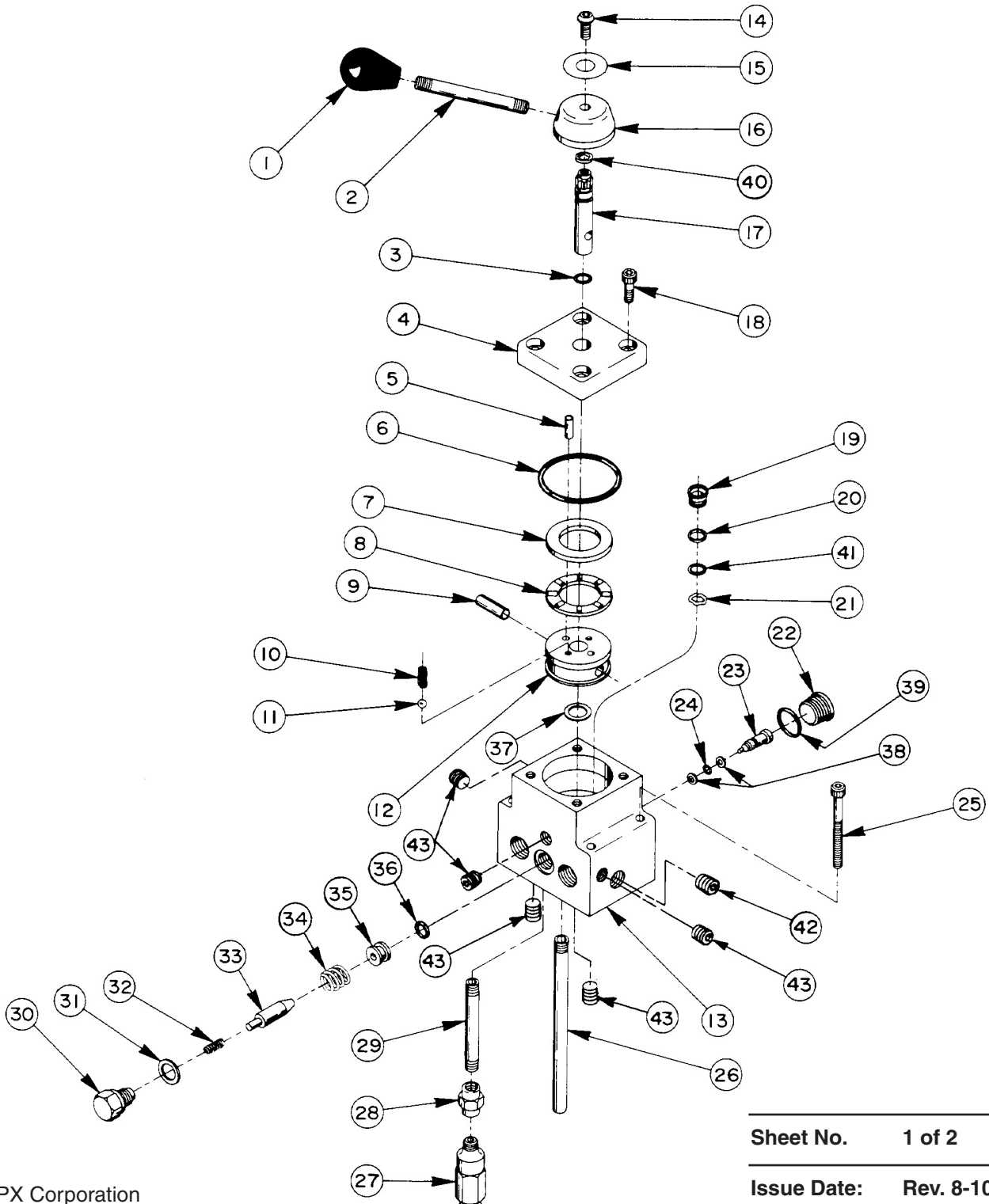


MODEL B VALVE ASSEMBLY



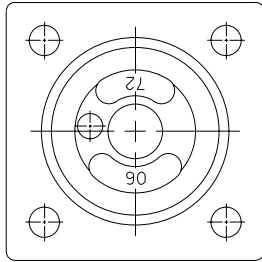
Parts List, Form No. 100812, Back sheet 1 of 2

| Item No. | Part No. | No. Req'd | Description | Item No. | Part No. | No. Req'd | Description |
|----------|----------|-----------|---|----------|----------|-----------|--|
| 1 | 211911 | 1 | Plastic Knob | 26 | 200609 | 1 | Drain Tube |
| 2 | 21639 | 1 | Stud | 27 | 21278-57 | 1 | Relief Valve |
| 3 | *13943 | 1 | O-ring (1/2 x 3/8 x 1/16; Disogrin) | 28 | 18841 | 1 | Straight Fitting |
| | 11439 | 1 | O-ring (1/2 x 3/8 x 1/16; Viton) | 29 | 12891-1 | 1 | Pipe Nipple |
| | 17716 | 1 | O-ring (1/2 x 3/8 x 1/16; EPR) | 30 | 307136 | 1 | Valve Screw (Torque to 250/280 in. lbs.) |
| 4 | 61343 | 1 | End Cap | 31 | *14874 | 1 | Copper Washer (1/2" bolt) |
| 5 | 250056 | 1 | Pin (7/32 dia.) | 32 | 11024 | 1 | Compression Spring (1/4 O.D. x 5/8 Lg.) |
| 6 | *15892 | 1 | O-ring (1.72 x 1.5 x .118; Nitrile) | 33 | 250020 | 1 | Poppet |
| | 19097 | 1 | O-ring (1.72 x 1.5 x .118; Viton) | 34 | 250022 | 1 | Compression Spring (7/16 O.D. x 13/32 Lg.) |
| | 212887 | 1 | O-ring (1.72 x 1.5 x .118; EPR) | 35 | 250021 | 1 | Replaceable Seat |
| 7 | 11227-1 | 1 | Thrust Bearing Washer | 36 | 14763 | 1 | O-ring (7/16 x 5/16 x 1/16; Disogrin) |
| 8 | 11228 | 1 | Roller Thrust Bearing | | 18974 | 1 | O-ring (7/16 x 5/16 x 1/16; Viton) |
| 9 | 10496 | 1 | Roll Pin (5/16 dia. x 1" Lg.) | | 13472 | 1 | O-ring (7/16 x 5/16 x 1/16; EPR) |
| 10 | 15691 | 1 | Compression Spring (1/4 O.D. x 5/8 Lg.) | 37 | 214801 | 1 | Spacer |
| 11 | 10375 | 1 | Ball (1/4 dia.) | 38 | *207354 | 2 | Backup Washer (.64 x .5 x .087, -908) |
| 12 | 306032 | 1 | Rotor | 39 | *215193 | 1 | O-ring (13/16 x 5/8 x 3/32; Disogrin) |
| 13 | 64010 | 1 | Valve Body | | 18999 | 1 | O-ring (13/16 x 5/8 x 3/32; Viton) |
| 14 | 15911 | 1 | Cap Screw (1/4-20 x 5/8 Lg.; Torque to 60/80 in. lbs.) | | 250157 | 1 | O-ring (13/16 x 5/8 x 3/32; EPR) |
| 15 | *211936 | 1 | Decal | 40 | *213674 | 1 | V-Packing (Fill the open cavity inside the V-packing with grease) |
| 16 | 46057 | 1 | Stem End | 41 | *10268 | 3 | O-ring (1/2 x 3/8 x 1/16; Nitrile) |
| 17 | 46048 | 1 | Stem | | 11439 | 3 | O-ring (1/2 x 3/8 x 1/16; Viton) |
| 18 | 11013 | 4 | Cap Screw (5/16-18 x 1" Lg.; Torque to 300/320 in. lbs.) | | 17716 | 3 | O-ring (1/2 x 3/8 x 1/16; EPR) |
| 19 | 202480 | 3 | Shear Seal | 42 | 14972 | 1 | Pipe Plug (1/4 NPTF) |
| 20 | *11863 | 3 | Backup Washer (1/2 x 3/8 x 1/16) | 43 | 15130 | 5 | Pipe Plug (1/16 NPTF) |
| 21 | 21975 | 3 | Spring Washer | | | | |
| 22 | 214014 | 1 | Plug | | | | |
| 23 | 214015 | 1 | Piston | | | | |
| 24 | *12099 | 1 | O-ring (9/32 x 5/32 x 1/16; Nitrile) | | | | |
| | 18972 | 1 | O-ring (9/32 x 5/32 x 1/16; Viton) | | | | |
| | 251399 | 1 | O-ring (.281 x .156 x .062; EPR) | | | | |
| 25 | 10856 | 4 | Cap Screw (1/4-20 x 2-1/2 Lg.) Note: When using this valve on a PE30 Series pump order (4) 11956 Cap Screws for mounting valve to pump. | | | | |

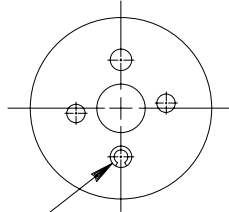
Part numbers marked with an asterisk (*) are contained in Repair Kit No. 300571.

Note: Shaded areas reflect last revision(s) made to this form.

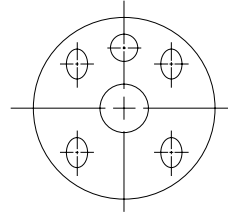
SPECIFICATIONS
 on
#9628
PUMP MOUNTED MANUAL DETENTED
3 POSITION, 4-WAY TANDEM CENTER VALVE
 with "B" Port Pressure Control and Release System.
 (2.15 to 1 Ratio Ref.)



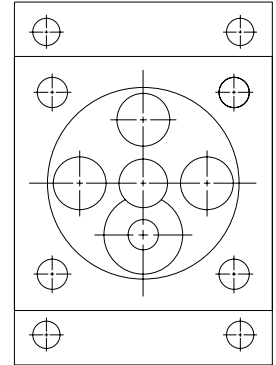
END CAP
BOTTOM VIEW



ROTOR
TOP VIEW



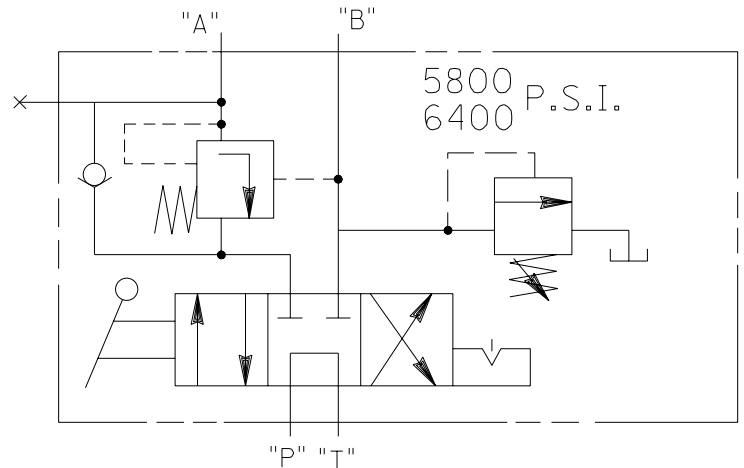
ROTOR
BOTTOM VIEW



VALVE BODY
TOP VIEW

ROLL PIN LOCATION
 (POSITION OPENING AS SHOWN)
INTERNAL ASSEMBLY ORIENTATION OF PARTS

FUNCTION:
 CENTER POSITION:
 "A" AND "B" PORTS BLOCKED, PRESSURE
 PORT TO TANK.
 "A" POSITION:
 PRESSURE TO "A" PORT, "B" PORT TO TANK.
 "B" POSITION:
 PRESSURE TO "B" PORT (CONTROLLED TO 6400
 P.S.I. MAX.) "A" PORT TO HOLD UNTIL PRESSURE
 RATIO IS OBTAINED AND THEN RELEASES TO
 TANK. "A" PORT WILL REMAIN OPEN AS LONG AS
 "B" PORT MAINTAINS PRESSURE RATIO.
NOTE: "A" PORT IS BLOCKED WITH "B" AND "P"
 PORTS OPEN TO TANK DURING
 TRANSITION BETWEEN VALVE POSITIONS.
 PRESSURE RATIO IS THE PRESSURE
 DIFFERENTIAL IN THE "A" AND "B" PORTS.



HYDRAULIC SCHEMATIC

Refer to any operating instructions included with this product for detailed information about operation, testing, disassembly, reassembly, and preventive maintenance.

Items found in this parts list have been carefully tested and selected. **Therefore: Use only genuine replacement parts!**

Additional questions can be directed to our Technical Services Department.