

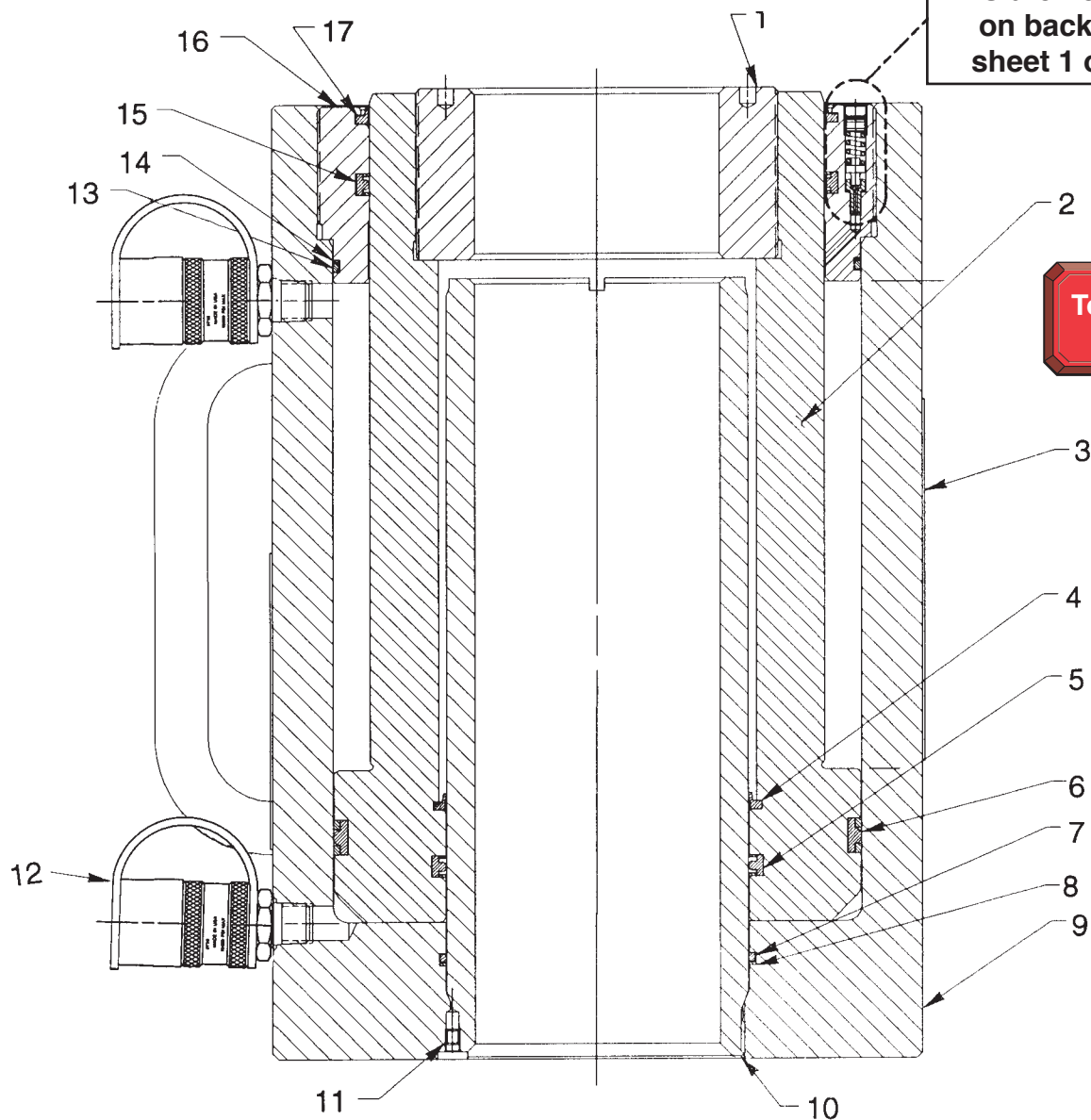
DOUBLE-ACTING, HOLLOW CENTER HYDRAULIC CYLINDER

Max. Capacity: 202.3 Tons at 10,000 PSI

Double-acting
Cylinder
Relief Valve

See important

 **DANGER**
statement
on back of
sheet 1 of 1



To Parts
List



DANGER: To help avoid possible serious personal injury or death,

- In the event that the cylinder retract port is ever restricted or plugged, a double-acting cylinder relief valve will help prevent excessive pressure from building in the cylinder. **DO NOT** attempt to adjust or service this relief valve! If oil leakage is detected from this relief valve, discontinue use of the cylinder immediately and contact **Power Team Technical Services**. Only Power Team Authorized Hydraulic Service Centers should service this relief valve.

Item No.	Part No.	No. Req'd	Description
1	350055	1	Threaded Insert
2	64050	1	Piston Rod
3	350056	1	Trade Name Decal
4	*250182	1	Rod Wiper
5	*250180	1	T-Seal (Rod) with Backup Rings (5-1/2 x 5" x 1/4)
6	*212698	1	T-Seal (Piston) with Backup Rings (8-3/4 x 8-1/4 x 1/4)
7	*104576	1	O-ring (5-1/4 x 5" x 1/8)
8	*206807	1	PTFE Backup Washer
9	64049	1	Cylinder Body
10	420037	1	Standpipe (NOTE: Bottom out and back off (.01) 1/8 revolution before adding set screw. Moly Kote all threads.)
11	10556	1	Long Set Screw (1/4-20 x 1/4 Lg.)
12	9796	2	Ram Half Coupler With Dust Cap
13	*250178	1	O-ring (8-3/4 x 8-1/2 x 1/8)
14	*250179	1	PTFE Backup Washer
15	*250177	1	T-Seal (Rod) with Backup Rings (8" x 7-1/2 x 1/4)
16	58040	1	Retainer Nut (Torque to 650 ft. lbs.; Moly Kote threads.)
17	*250181	1	Rod Wiper

PARTS INCLUDED BUT NOT SHOWN

*37782 1 Warning Decal



Part numbers marked with an asterisk (*) are contained in Repair Kit No. 300582.

Note: Shaded areas reflect last revision(s) made to this form.

Refer to any operating instructions included with this product for detailed information about operation, testing, disassembly, reassembly, and preventive maintenance.

Items found in this parts list have been carefully tested and selected. **Therefore: Use only genuine replacement parts!**

Additional questions can be directed to our Technical Services Department.