

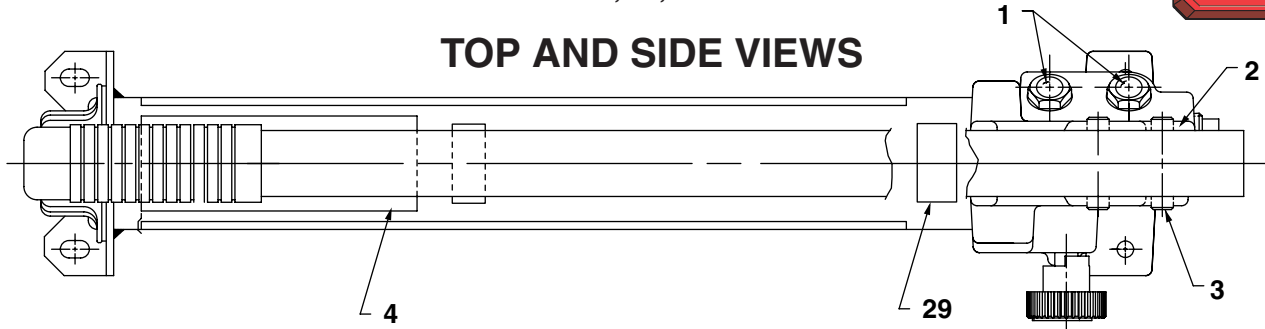
Parts List for:

- 4012
- P59
- P59-GRIN
- P59-HAMM
- P59-PFAFF

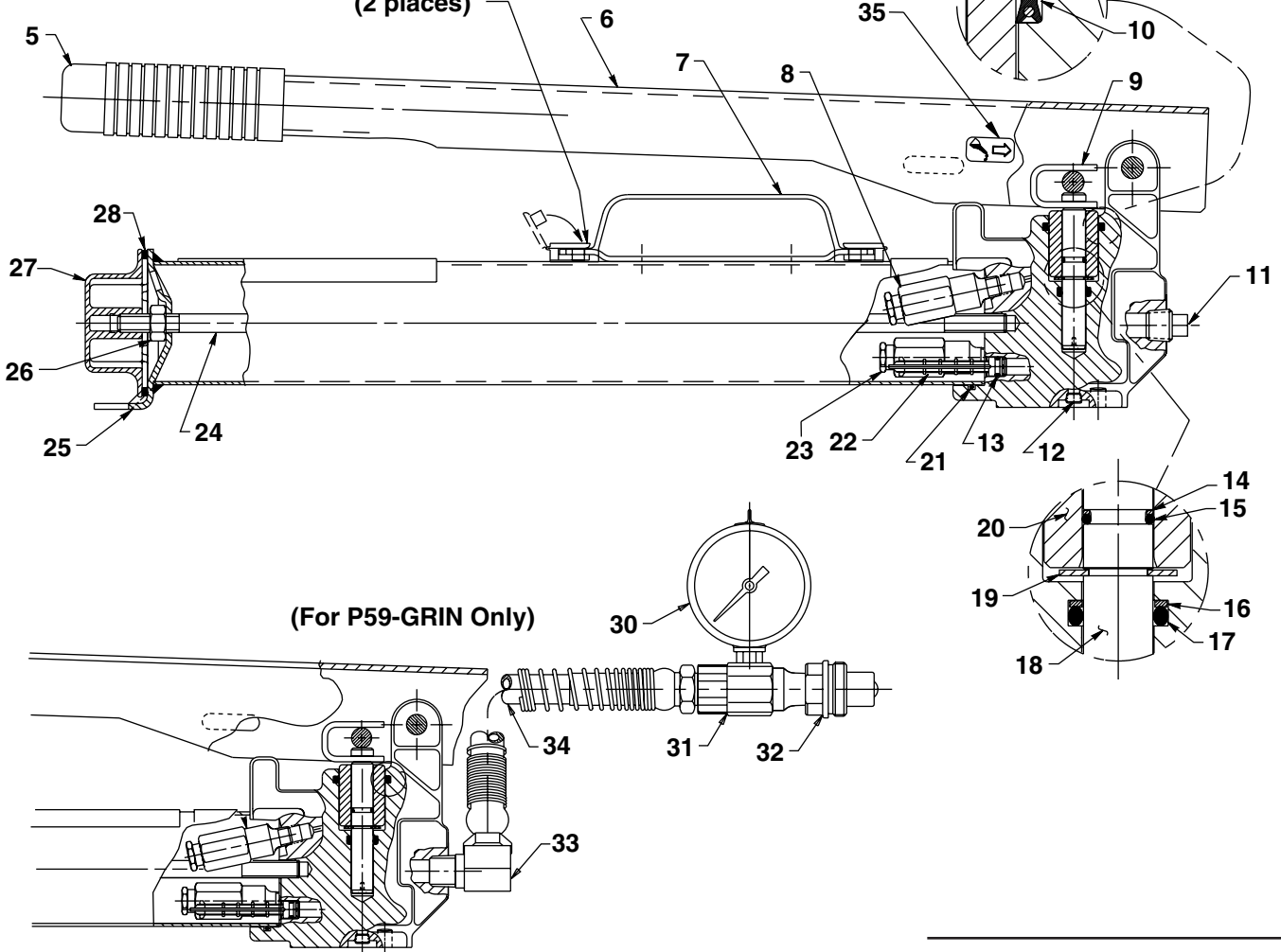
MODEL B
TWO-SPEED HYDRAULIC HAND PUMP
325 PSI FIRST STAGE; 10,000 PSI SECOND STAGE



TOP AND SIDE VIEWS



Assemble carry handle to reservoir assembly by folding tab (as indicated) into handle clip slot (For P59, P59-PFAFF & 4012) (2 places)



Parts List, Form No. 100832, Back sheet 1 of 2

Item No.	Part No.	No. Req'd	Description
1	*215907	2	Decal (Do Not Remove)
2	211743	4	Retaining Ring
3	211742	2	Dowel Pin (7/16 dia. x 1-3/4 Lg.)
4	305977	1	Warning Decal
	305977-CE	1	Warning Decal (German; For P59-PFAFF & P59-HAMM)
5	211769	1	Handle Grip
6	61287BL2	1	Handle (For 4012)
	61287OR9	1	Handle (For P59 & P59-GRIN)
	61287WH2	1	Handle (For P59-PFAFF)
7	58048	1	Carry Handle (For P59, P59-PFAFF, & 4012)
8	48011	1	Low Pressure Relief Valve Assembly
9	211470	1	Piston Clip
10	*250233	1	U-cup
11	11127	1	Pipe Plug (3/8 NPTF; For P59, P59-PFAFF & 4012)
12	11084	1	Pipe Plug (1/16 NPTF)
13	*12557	1	O-ring (11/32 x 7/32 x 1/16)
	†18973	1	O-ring
14	*†11863	1	O-ring Backup Washer
15	*10268	1	O-ring
	†19775	1	O-ring
16	*†213987	1	O-ring Backup Washer (Assemble with concave surface towards o-ring)
17	*10271	1	O-ring
	†11445	1	O-ring
18	309088	1	High Pressure Piston
19	11581	1	Retaining Ring
20	350085	1	Low Pressure Piston (Assemble with 20° chamfer down as shown)
21	*211495	1	O-ring (2-11/16 x 2-1/2 x 3/32)
	†213209	1	O-ring
22	*215075	1	Plug Filter
23	21278	1	High Pressure Relief Valve Ass'y (For P59, P59-PFAFF & 4012)
	21278-48	1	High Pressure Relief Valve Ass'y (For P59-GRIN)
24	211547	1	Tie Rod (For P59, P59-PFAFF & 4012; Note: Screw in the tie rod until it bottoms out in pump body.)
	214079	1	Tie Rod (For P59-GRIN; Note: Screw in the tie rod until it bottoms out in pump body.)
	252351	1	Tie Rod (For P59-HAMM; Note: Screw in the tie rod until it bottoms out in pump body.)
25	350081	1	Reservoir Assembly (For P59, P59-PFAFF & 4012)
	47846	1	Reservoir Assembly (For P59-GRIN)
	351358	1	Reservoir Assembly (For P59-HAMM)
26	10204	1	Hex Nut (3/8-16; Torque to 150/170 in. lbs.)
27	52711	1	Reservoir Cap (Torque to 50/60 in. lbs.)
28	*†212739	1	Fill Cap Gasket
29	251945	1	Decal (For P59-PFAFF)
	420691	1	Decal (For P59-GRIN)
30	421261	1	Pressure Gauge (For P59-GRIN)
31	9670	1	Tee Adapter (For P59-GRIN)
32	25599	1	Quick Coupler (For P59-GRIN)
33	9681	1	90° Elbow Fitting (For P59-GRIN; Note: Position elbow 45° clockwise from vertical as viewed from connection end)
34	36890	1	Hydraulic Hose (For P59-GRIN)
35	253234	1	Decal (Oil Pivot Pins)

Part numbers marked with an asterisk (*) are contained in Standard Repair Kit No. 300506.

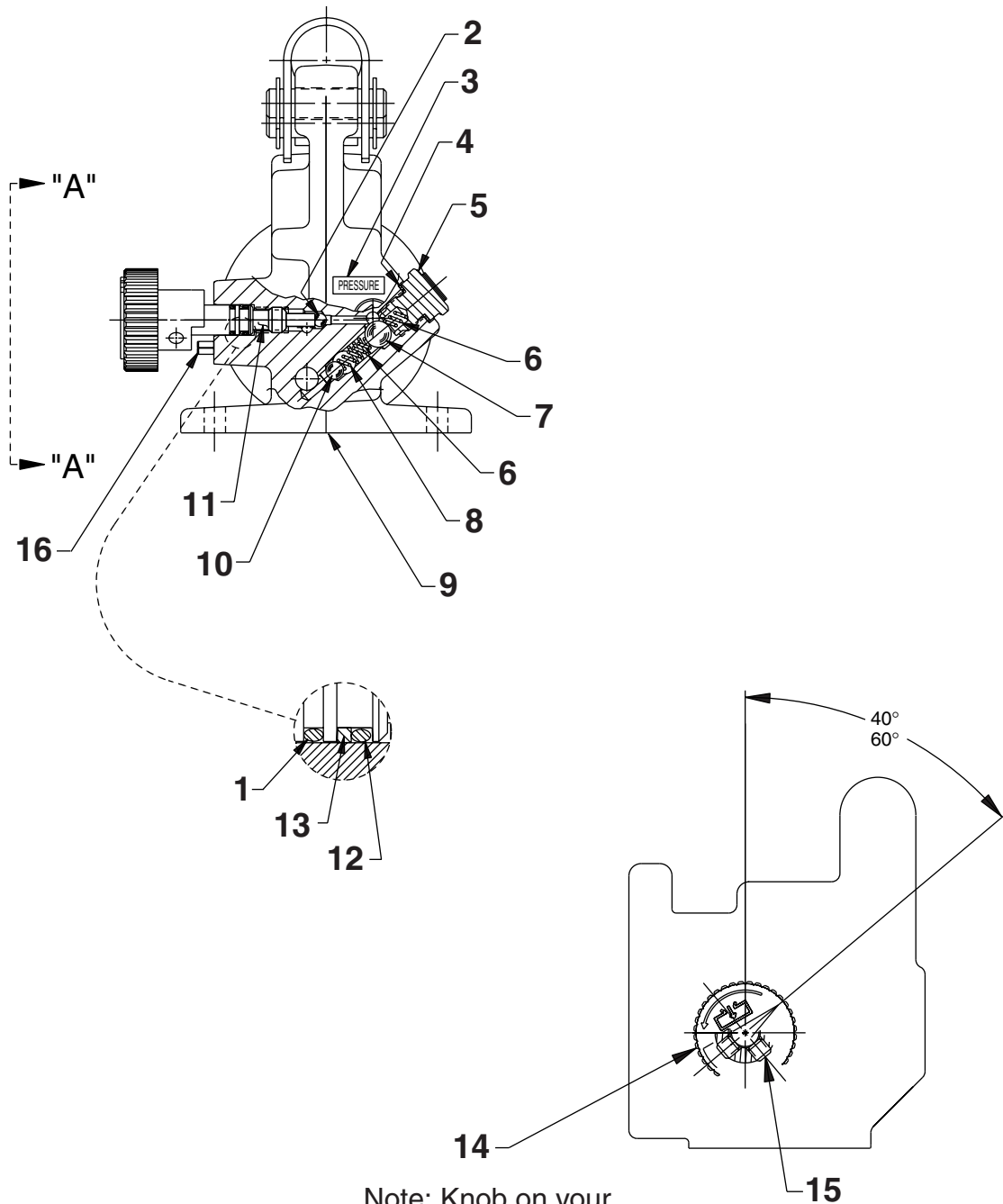
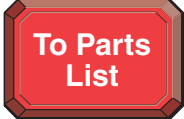
Part numbers marked with a dagger (†) are contained in Viton Seal Kit No. 300510.

PARTS INCLUDED BUT NOT SHOWN

350077	1	Trade Name Decal (For 4012)
350076	1	Trade Name Decal (For P59)



END VIEW AND SECTION A-A



Note: Knob on your pump may not be the same style as shown here. Replacement knobs will be this style.

VIEW A-A

Item No.	Part No.	No. Req'd	Description
1	*14763	1	O-ring (.43 x .31 Urethane)
2	*12223	1	Ball (3/16 dia.)
3	215301	1	Decal (Pressure)
	252247	1	Decal (Pictogram; For P59-PFAFF & P59-HAMM)
4	*14874	2	Copper Washer
5	351952	2	Valve Screw (Torque to 350/370 in. lbs.)
6	*10444	4	Compression Spring
7	*10378	2	Steel Ball (3/8 dia.)
8	*211797	2	Compression Spring
9	64063	1	Pump Body
10	*10375	2	Steel Ball (1/4 dia.)
11	350185	1	Release Valve Screw
12	*10267	1	O-ring (7/16 x 5/16 x 1/16)
	†18974	1	O-ring
13	*†15085	1	O-ring Backup Washer
14	351087	1	Release Valve Knob (Note: Screw in valve stem until seated. [bottomed out]. Then position knob as shown approx. 1/16" from casting surface. Lock in place with set screw [Item #15].)
15	10556	2	Set Screw (1/4-20 x 1/4 Lg.; Torque to 50/70 in. lbs.)
16	10714	1	Slotted Spring Pin (.19 x .63)

Part numbers marked with an asterisk (*) are contained in Standard Repair Kit No. 300506.

Part numbers marked with a dagger (†) are contained in Viton Seal Kit No. 300510.



Refer to any operating instructions included with the product for detailed information about operation, testing, disassembly, reassembly, and preventive maintenance.

Items found in this parts list have been carefully tested and selected. **Therefore: Use only genuine replacement parts!**

Additional questions can be directed to our Technical Services Department.

Note: Shaded areas reflect last revision(s) made to this form.