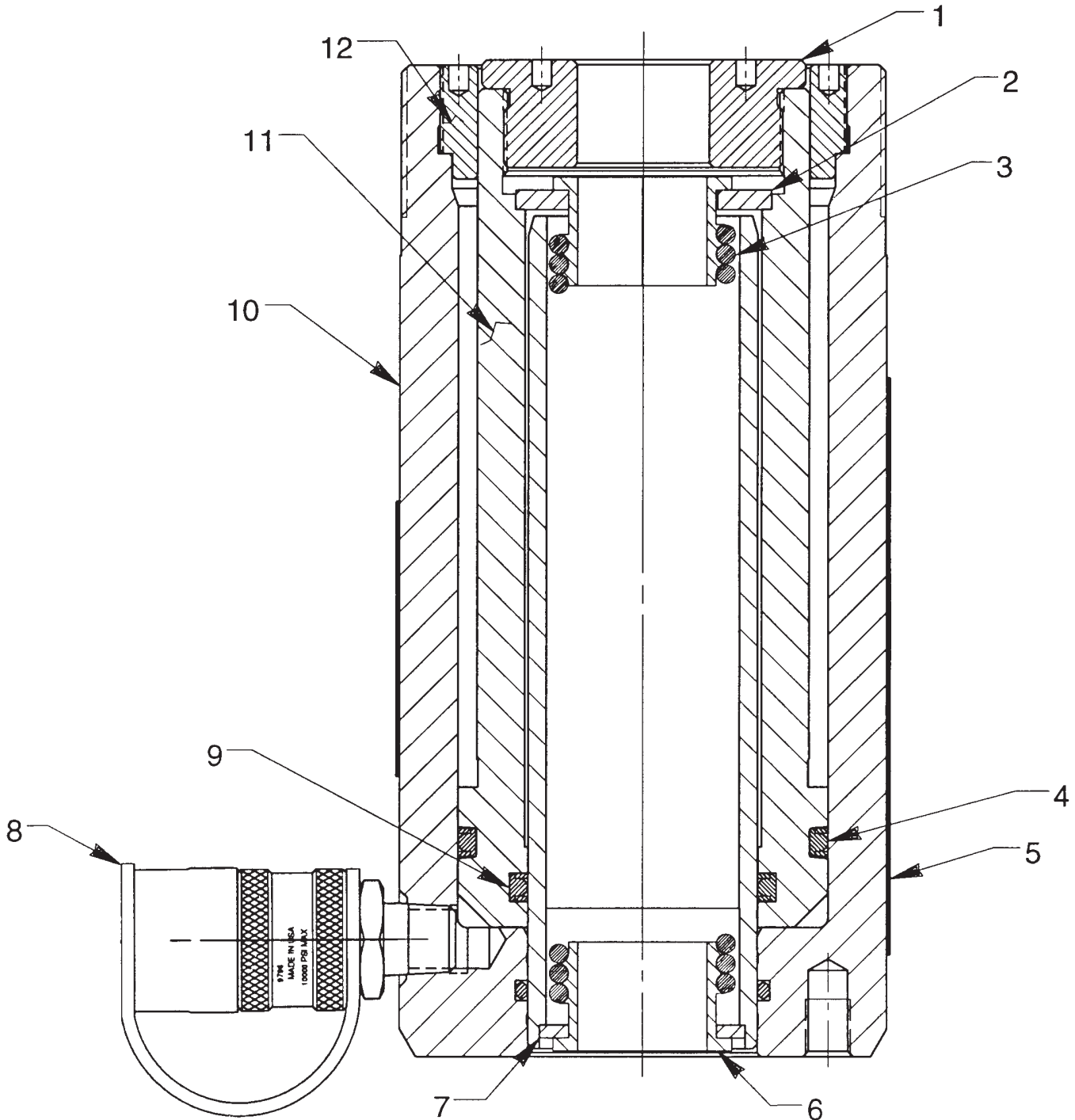


**SINGLE-ACTING, HOLLOW CENTER, SPRING RETURN
HYDRAULIC CYLINDER**
Max. Capacity: 31.7 Tons at 10,000 PSI



Parts List, Form No. 101204, Back sheet 1 of 1

Item No.	Part No.	No. Req'd	Description
1	38905	1	Plain Insert
2	205106	2	Upper Spring Lock
3	250304	1	Extension Spring
4	*19826	1	T-seal & Backup Rings (Smooth side of backup ring must be against seal.)
	†19827	1	T-seal & Backup Rings (Smooth side of backup ring must be against seal.)
5	350171	1	Trade Name Decal
6	38903	2	Spring Retainer
7	205105	2	Lower Spring Lock
8	9796	1	Ram Half Coupler w/Dust Cap
9	*19824	1	T-seal & Backup Rings (Smooth side of backup ring must be against seal.)
	†19825	1	T-seal & Backup Rings (Smooth side of backup ring must be against seal.)
10	420086	1	Cylinder/Standpipe Assembly (unpainted)
11	58066	1	Piston Rod
12	38906	1	Gland Nut

PARTS INCLUDED BUT NOT SHOWN

*203908	1	Warning Decal
421273	1	Thread Protector
†19526	1	O-ring (1" x 3/4 x 1/8; For coupler)
†205724	1	Decal (Viton)

Part numbers marked with an asterisk (*) are contained in Repair Kit No. 300037.
 Part numbers marked with a dagger (†) are contained in Viton Seal Kit No. 300223.

Refer to any operating instructions included with this product for detailed information about operation, testing, assembly, reassembly, and preventive maintenance.

Items found in this parts list have been carefully tested and selected. **Therefore: Use only genuine Power Team replacement parts!**

Additional questions can be directed to our Technical Services Department.

Note: Shaded areas reflect last revision(s) made to this form.