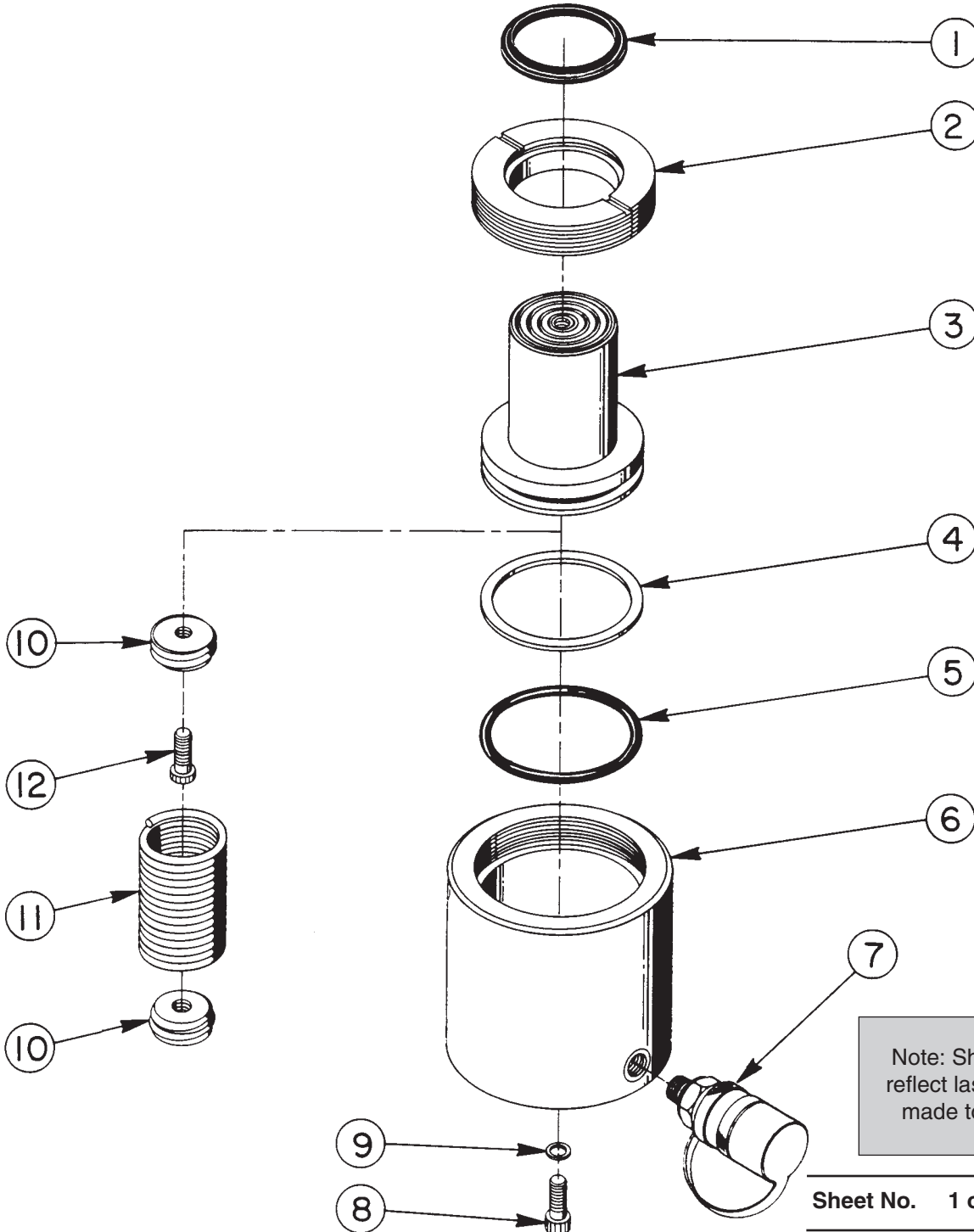


Parts List for:

RSS101  
RSS101-KERK  
RSS101-PFAFF

## MODEL B SINGLE-ACTING, SPRING RETURN HYDRAULIC CYLINDER Max. Capacity: 11.2 Ton at 10,000 PSI



Sheet No. 1 of 1

Rev. 1 Date: 16 Sept. 1996

# Parts List, Form No. 101219, Back sheet 1 of 1

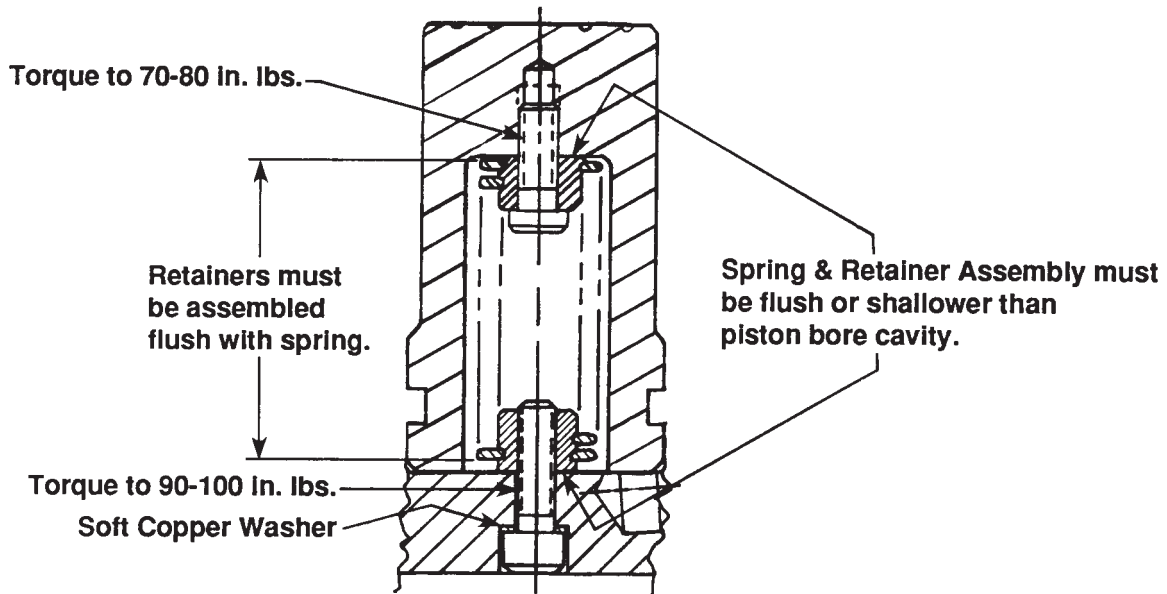
Item No.	Part No.	No. Req'd	Description
1	*201429	1	Rod Wiper
2	201365	1	Retainer Nut (Torque to 90-100 in. lbs.)
3	350253	1	Piston
4	*19783	1	Backup Washer (1-11/16 x 1-7/16 x .048 thk.)
5	*19782	1	O-ring (1-11/16 x 1-7/16 x 1/8)
6	303140	1	Cylinder Body
7	9796	1	Ram Half Coupler w/ Dust Cap (For RSS101)
8	10008	1	Soc. Hd. Cap Screw (1/4-20 UNC x 3/4 Lg.; Torque to 90-100 in. lbs.)
9	*10442	1	Copper Washer (3/8 x 1/4 x 1/32)
10	204414	2	Spring Retainer
11	250390	1	Extension Spring (NOTE: Stretch, clean and lubricate before assembling.)
12	19268	1	Low Soc. Hd. Cap Screw (1/4-20 UNC x 5/8 Lg.; Torque to 70-80 in. lbs.)

### PARTS INCLUDED BUT NOT SHOWN

*203908	1	Warning Decal
250391	1	Trade Name Decal
11127	1	Pressure Plug (For RSS101-KERK)
203908-CE	1	Warning Decal (For RSS101-PFAFF)
252184	1	Trade Name Decal (For RSS101-PFAFF)

Part numbers marked with an asterisk (\*) are contained in Repair Kit No. 300010.

## ASSEMBLY INSTRUCTIONS



Refer to any operating instructions included with this product for detailed information about operation, testing, disassembly, reassembly, and preventive maintenance.

Items found in this parts list have been carefully tested and selected. **Therefore: Use only genuine Power Team replacement parts!**

Additional questions can be directed to our Technical Services Department.

NOTE: Shaded areas reflect last revision(s) made to this form.