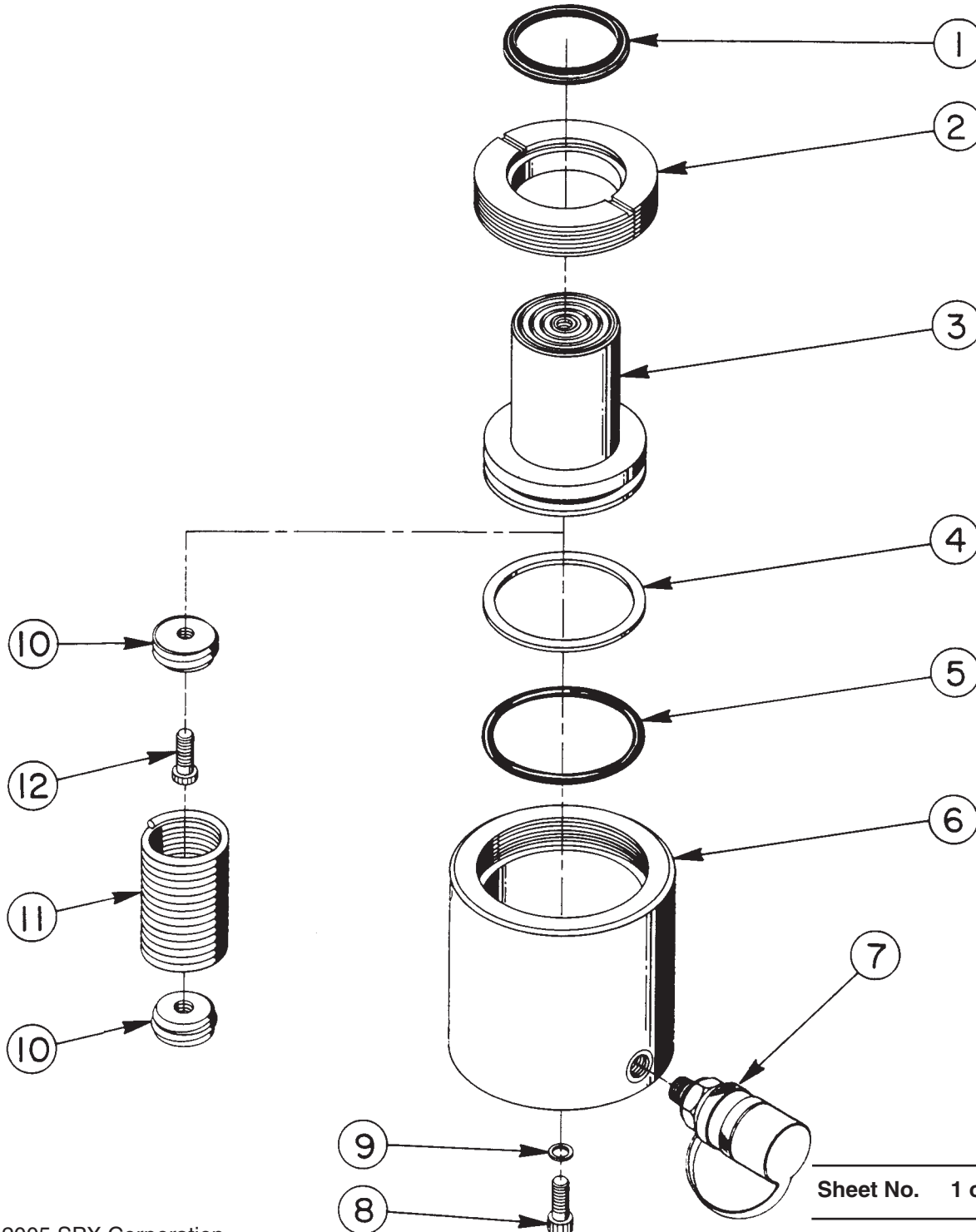


## MODEL B SINGLE-ACTING, SPRING RETURN HYDRAULIC CYLINDER

Max. Capacity: 22.1 Ton at 10,000 PSI



# Parts List, Form No. 101222, Back sheet 1 of 1

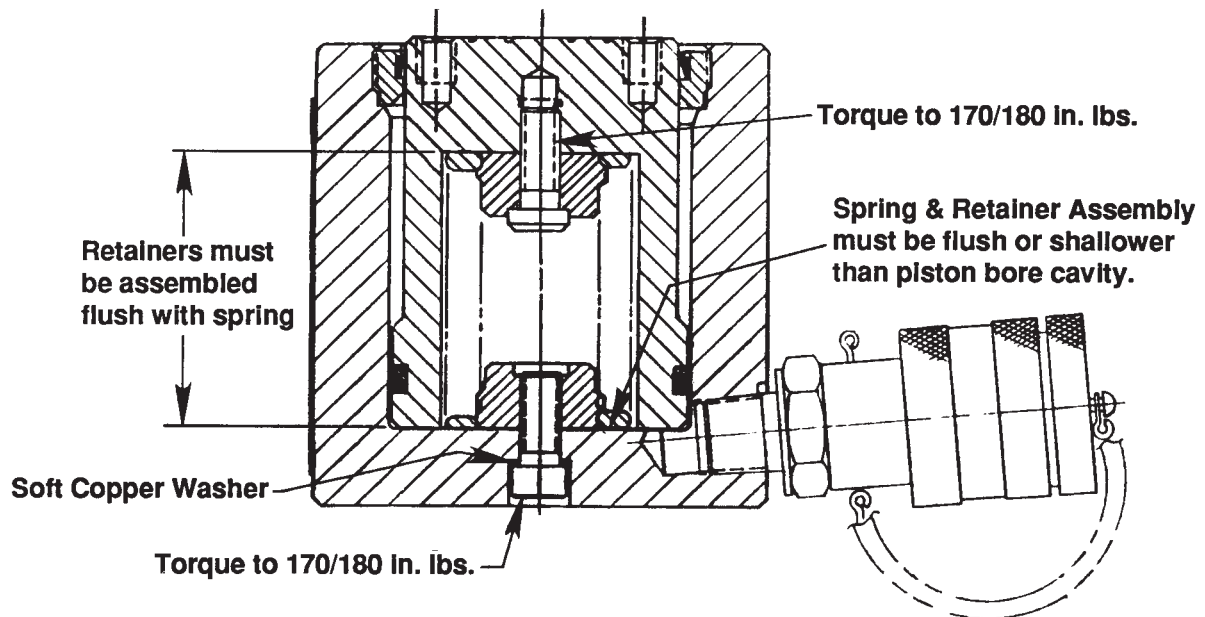
Item No.	Part No.	No. Req'd	Description
1	*27395	1	Rod Wiper (Slit at assembly)
2	38417	1	Retainer Nut (Torque to 500/525 in. lbs.)
3	350266	1	Piston
4	*19147	1	Backup Washer (2-3/8 x 2-1/8 x .048 thk.)
5	*10840	1	O-ring (2-3/8 x 2-1/8 x 1/8)
6	44781OR9	1	Cylinder Body
7	9796	1	Ram Half Coupler w/ Dust Cap
8	10030	1	Soc. Hd. Cap Screw (5/16-18 x 3/4 Lg.; Torque to 170/180 in. lbs.)
9	*11031	1	Copper Washer
10	350477	2	Spring Retainer
11	250429	1	Extension Spring (Stretch, clean and lubricate before assembly)
12	19253	1	Low Soc. Hd. Cap Screw (5/16-18 UNC x 3/4 Lg.; Torque to 170/180 in. lbs.)

### PARTS INCLUDED BUT NOT SHOWN

420656BK2	1	Lift Handle Assembly (For RSS202K)
*203908	1	Warning Decal
250430	1	Trade Name Decal

Part numbers marked with an asterisk (\*) are contained in Repair Kit No. 300011.

## ASSEMBLY INSTRUCTIONS



Refer to any operating instructions included with this product for detailed information about operation, testing, disassembly, reassembly, and preventive maintenance.

Items found in this parts list have been carefully tested and selected. **Therefore: Use only genuine Power Team replacement parts!**

Additional questions can be directed to our Technical Services Department.

NOTE: Shaded areas reflect last revision(s) made to this form.