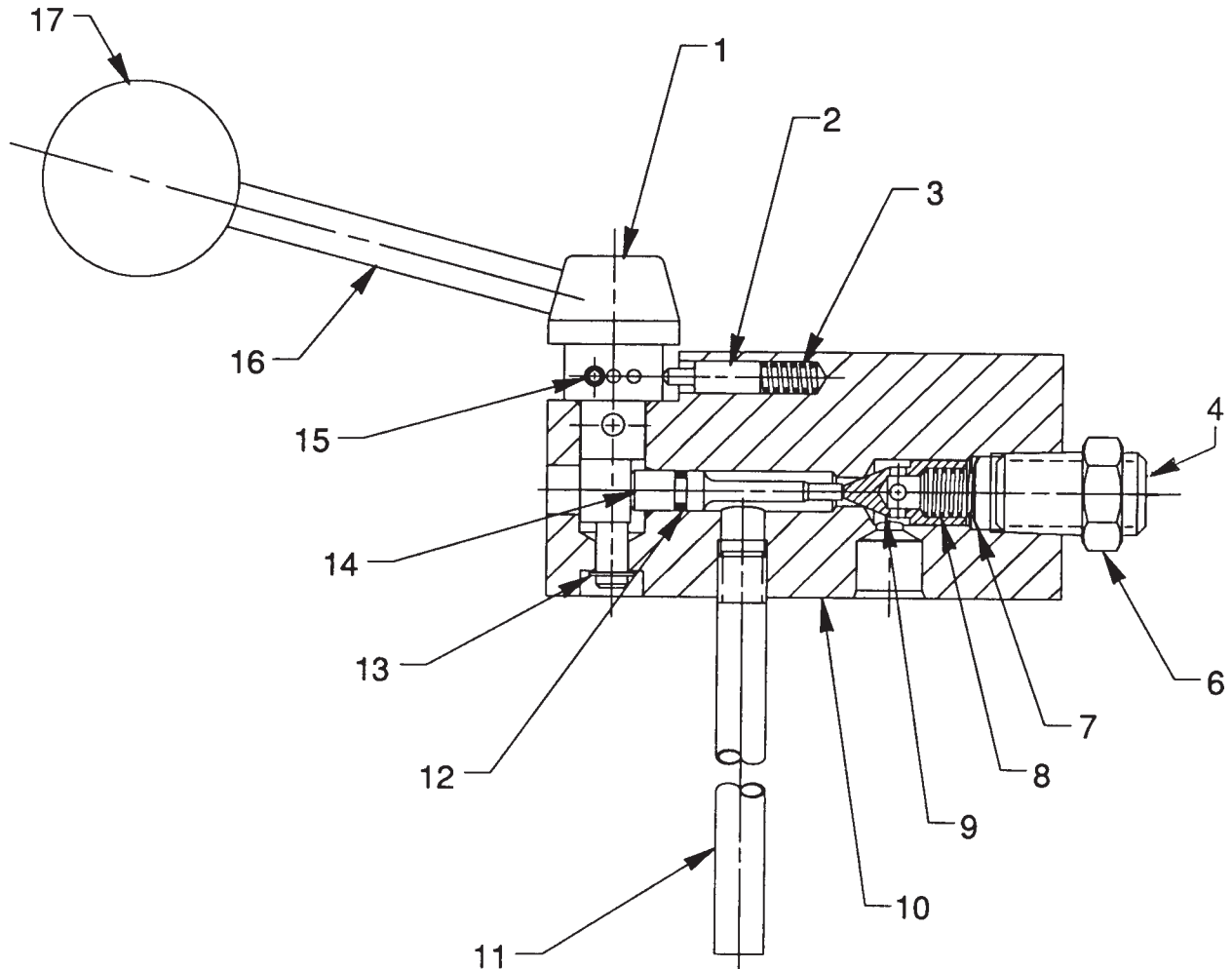


**MODEL B  
TWO POSITION, 3-WAY, MANUAL  
VALVE ASSEMBLY**



# Parts List, Form No. 101248, Back sheet 1 of 1

Item No.	Part No.	Req'd	Description
1	21374	1	Eccentric Valve Stem
2	21376	1	Plunger
3	10360	1	Comp. Spring (1/4 O.D. X 5/8 Lg.)
4	10479	1	Pipe Plug (1/4 NPTF)
6	10676	1	Straight Fitting
7	11088	1	Retaining Ring
8	10425	1	Comp. Spring (3/8 O.D. X 3/4 Lg.)
9	20771	1	Poppet
10	58188	1	Valve Body
11	20847	1	Drain Line
12	10265	1	O-ring (5/16 x 3/16 x 1/16, -008; Nitrile)
	11437	1	O-ring (5/16 x 3/16 x 1/16, -008; Viton)
	17714	1	O-ring (5/16 x 3/16 x 1/16, -008; EPR)

Item No.	Part No.	Req'd	Description
13	10482	1	Retaining Ring
14	21015	1	Valve Pin
15	10481	1	Slotted Spring Pin (5/32 Dia. X 1" Lg.)
16	21639	1	Stud (3/8 dia.)
17	211911	1	Plastic Knob

### PARTS INCLUDED BUT NOT SHOWN

10854	2	Soc. Hd. Cap Screw (1/4-20 x 1-3/4 Lg.)
10890	2	Soc. Hd. Cap Screw (1/4-20 x 2" Lg.)

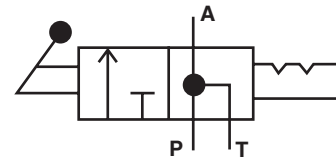
## SPECIFICATIONS

A sub-plate mounted, manually-operated, detent positioned, 3-way valve. The valve has an "advance" and "return" position and is intended for use in circuits employing a single-acting cylinder. A pressure switch and/or gauge can be attached if required.

PORT SIZES: 3/8" NPTF

MAXIMUM PRESSURE: 10,000 PSI

MAXIMUM RECOMMENDED FLOW: 5 GPM



J.I.C. SYMBOL

### VALVE OPERATION

Position "A" - Advance position. Valve is closed and oil is delivered to the system through port "A."

Position "B" - Return position. Valve is open, pressure is released and oil returns to reservoir.

