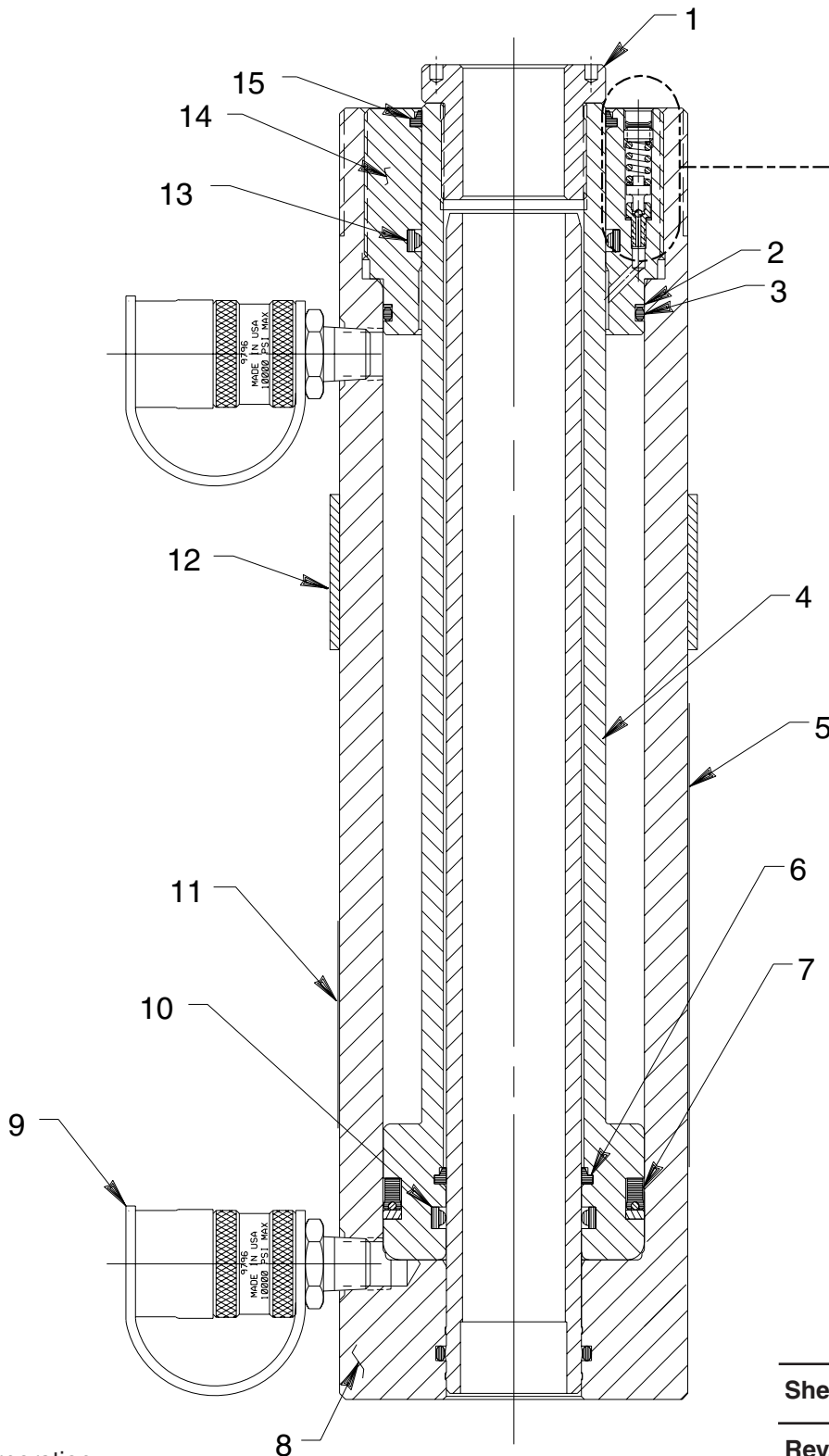


## DOUBLE-ACTING HYDRAULIC CYLINDER

Max. Capacity: 32.73 Tons At 10,000 PSI



Double-acting  
Cylinder  
Relief Valve

See important

**! DANGER**  
statement  
on back of  
sheet 1 of 1



**DANGER:** To help avoid possible serious personal injury or death,

- In the event that the cylinder retract port is ever restricted or plugged, a double-acting cylinder relief valve will help prevent excessive pressure from building in the cylinder. **DO NOT** attempt to adjust or service this relief valve! If oil leakage is detected from this relief valve, discontinue use of the cylinder immediately and contact Power Team Technical Services. Only Power Team Authorized Hydraulic Service Centers should service this relief valve.

Item No.	Part No.	No. Req'd	Description
1	350502	1	Threaded Piston Cap
2	250787	1	Backup Washer (3-3/8 X 3.130 X .048, -235)
3	*250086	1	O-ring (3-3/8 X 3-1/8 X 1/8, 235)
4	*58278	1	Piston
5	250805	1	Tradename Decal
6	*19591	1	Rod Wiper
7	*250785	1	U-cup Packing
8	420474	1	Cylinder Body and Standpipe Assembly
9	9796	2	Ram Half Coupler w/ Plastic Dust Cap
10	*250792	1	T-seal Packing (Piston)
11	*203908	1	Warning Decal
12	420492OR9	1	Cylinder Lift Handle Assembly
13	250786	1	T-seal Packing (Rod)
14	58279	1	Retainer Nut
15	*250784	1	Rod Wiper

**PARTS INCLUDED BUT NOT SHOWN**

421275	1	Thread Protector
--------	---	------------------

Part numbers marked with an asterisk (\*) are contained in Repair Kit No. 300625.

Refer to any operating instructions included with this product for detailed information about operation, testing, assembly, disassembly, and preventive maintenance.

Items found in this parts list have been carefully tested and selected. **Therefore: Use only genuine Power Team replacement parts!**

Additional questions can be directed to our Technical Services Department.

Note: Shaded areas reflect last revision(s) made to this form.