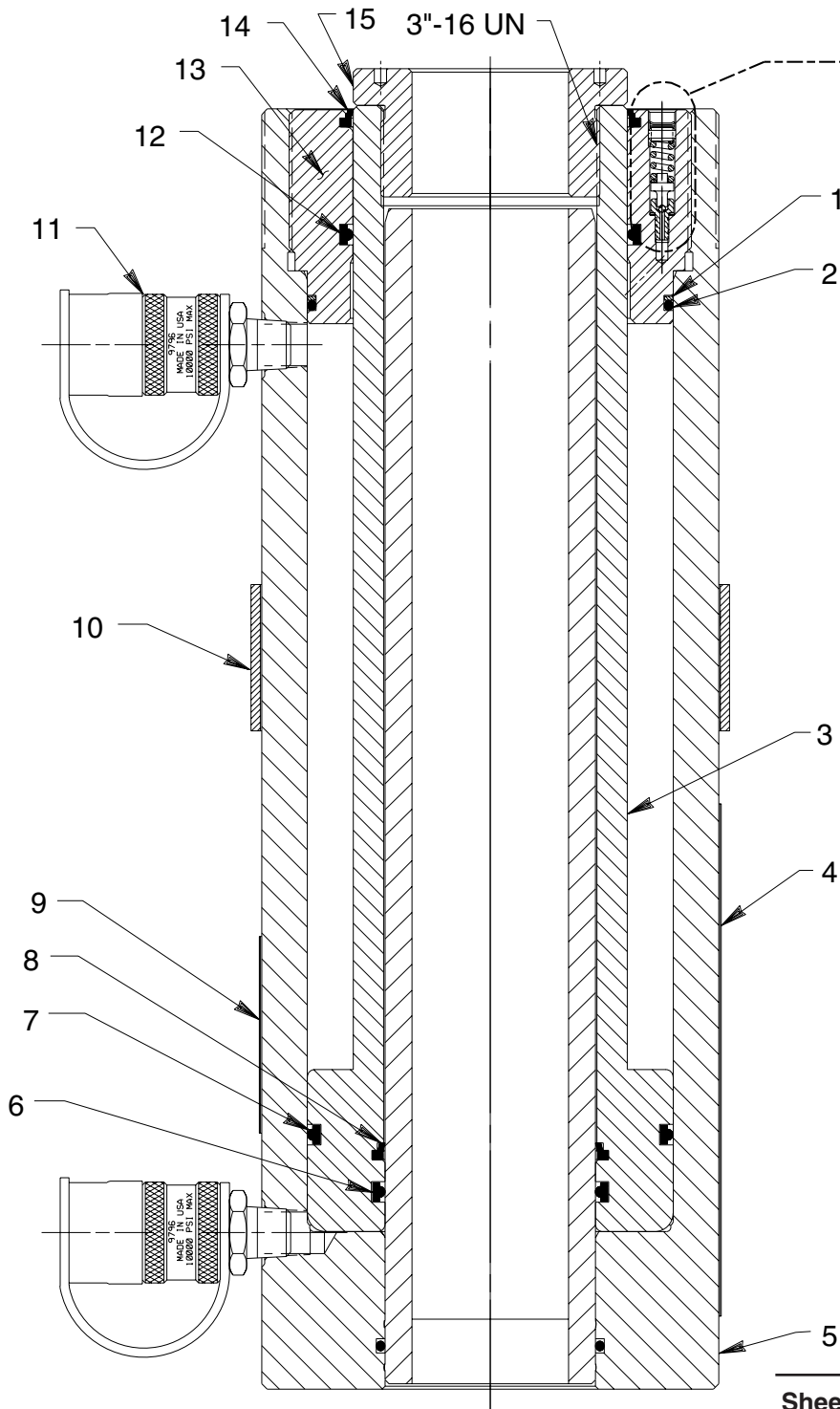


DOUBLE-ACTING HYDRAULIC CYLINDER

Max. Capacity: 65.7 Tons At 10,000 PSI



**Double-acting
Cylinder
Relief Valve**

See important

! DANGER
statement
on back of
sheet 1 of 1

 **DANGER:** To help avoid possible serious personal injury or death,

- In the event that the cylinder retract port is ever restricted or plugged, a double-acting cylinder relief valve will help prevent excessive pressure from building in the cylinder. **DO NOT** attempt to adjust or service this relief valve! If oil leakage is detected from this relief valve, discontinue use of the cylinder immediately and contact **Power Team Technical Services**. Only Power Team Authorized Hydraulic Service Centers should service this relief valve.

Item No.	Part No.	No. Req'd	Description
1	*19173	1	Backup Washer (5" X 4-3/4 X .048, -248)
2	*12199	1	O-ring (5" X 4-3/4 X 1/8, -248)
3	58280	1	Piston Rod
4	250806	1	Trade Name Decal
5	420475	1	Cylinder and Standpipe Assembly
6	250795	1	T-seal Packing (Standpipe)
7	*15380	1	T-seal Packing (Piston)
8	250797	1	Rod Wiper
9	*203908	1	Warning Decal
10	420488OR9	1	Lift Handle Assembly
11	25600	2	Ram Half Coupler w/ Plastic Dust Cap
12	*250007	1	T-seal Packing (Rod)
13	58281	1	Retainer Nut
14	*250008	1	Rod Wiper
15	350505	1	Threaded Piston Cap

Part numbers marked with an asterisk (*) are contained in Repair Kit No. 300626.

Refer to any operating instructions included with this product for detailed information about operation, testing, assembly, disassembly, and preventive maintenance.

Items found in this parts list have been carefully tested and selected. **Therefore: Use only genuine Power Team replacement parts!**

Additional questions can be directed to our Technical Services Department.