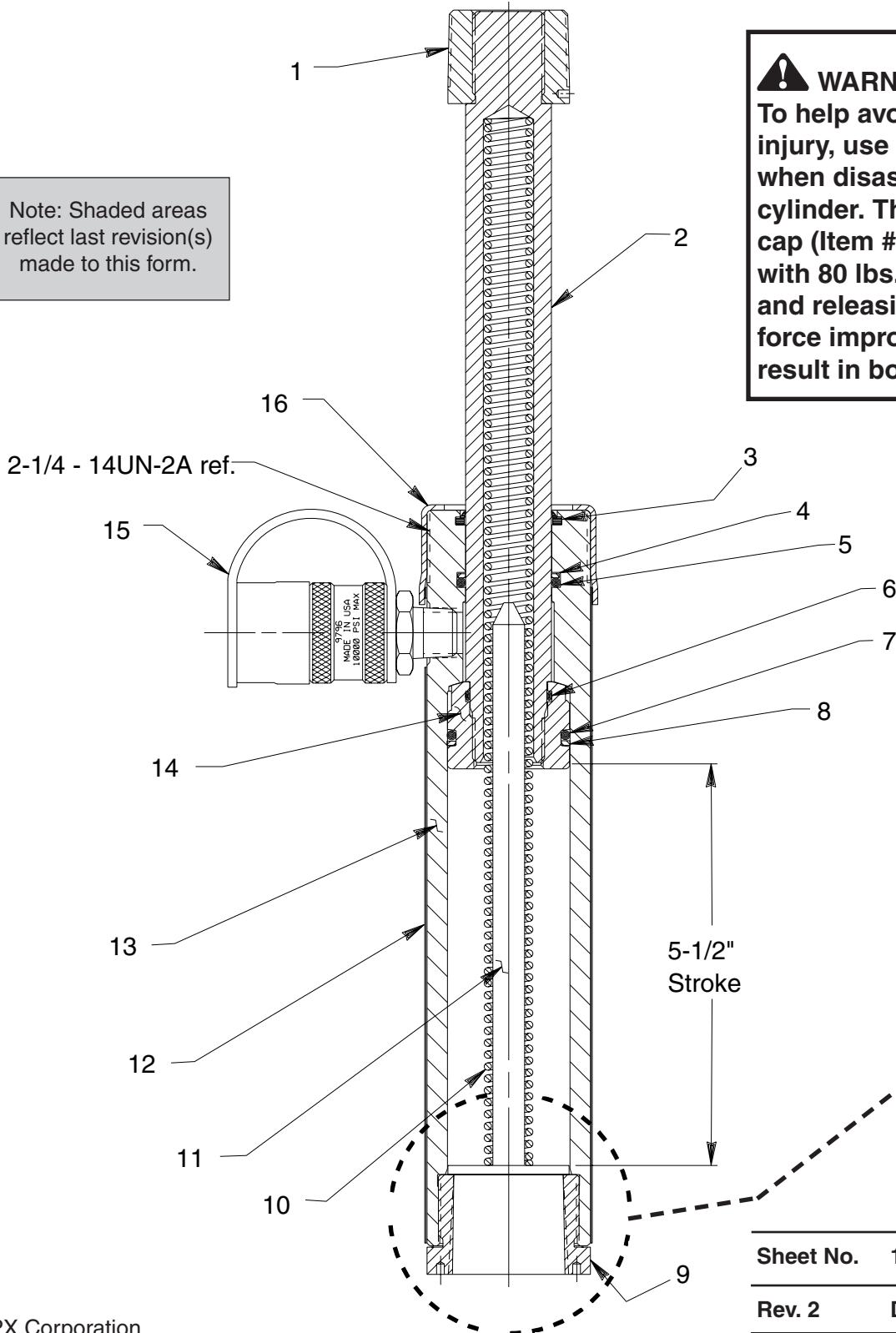


**SINGLE-ACTING, SPRING RETURN, PULL - 5 TON
HYDRAULIC CYLINDER**

Note: Shaded areas reflect last revision(s) made to this form.

WARNING:
To help avoid personal injury, use extreme care when disassembling this cylinder. The threaded end cap (Item #9) is loaded with 80 lbs. of spring force and releasing this spring force improperly could result in bodily harm.



Parts List, Form No. 101290, Back sheet 1 of 1

Item No.	Part No.	No. Req'd	Description
1	250810	1	Threaded Piston Adapter (For RP55 only; NOTE: Apply Loctite 242 or equivalent to last two threads and torque to 30/35 ft. lbs.)
2	420422	1	Piston Rod
3	*250813	1	Rod Wiper
4	*250812	1	Backup Washer (1.438 x 1.188 x .048)
5	*250815	1	O-ring (1.438 x 1.188 x 1/8)
6	*250814	1	O-ring (1-1/4 x 1-1/16 x .093)
7	*19782	1	O-ring (1-11/16 X 1-7/16 X 1/8)
8	*19783	1	Backup Washer (1-11/16 X 1-7/16 X .048)
9	350520	1	Threaded End Cap (NOTE: Apply Loctite 242 or equivalent to last two threads and torque to 50/60 ft. lbs.)
10	250811	1	Compression Spring
11	350521	1	Spring Guide Weldment
12	420479	1	Trade Name Decal (For RP55, RP55-CREN & RP55-PAC)
	252182	1	Trade Name Decal (For RP55-PFAFF)
13	420478	1	Cylinder Body
14	350522	1	Piston Head (NOTE: Apply Loctite 242 or equivalent to last two threads and torque to 30/35 ft. lbs.)
15	9796	1	Ram Half Coupler w/ Plastic Dust Cap (For RP55)
	11127	1	Drive Plug (For RP55-CREN & RP55-PAC; 3/8 NPTF)
16	36146	1	Plastic Thread Protector (For RP55 & RP55-CREN)

PARTS INCLUDED BUT NOT SHOWN

203908-CE 1 Warning Decal (For RP55-PFAFF)

Part numbers marked with an asterisk (*) are contained in Standard Repair Kit No. 300627.

Refer to any operating instructions included with this product for detailed information about operation, testing, disassembly, reassembly and preventive maintenance.

Items found in this parts list have been carefully tested and selected. **Therefore: Use only genuine Power Team replacement parts!**

Additional questions can be directed to our Technical Services Department.

Note: Shaded areas reflect last revision(s) made to this form.