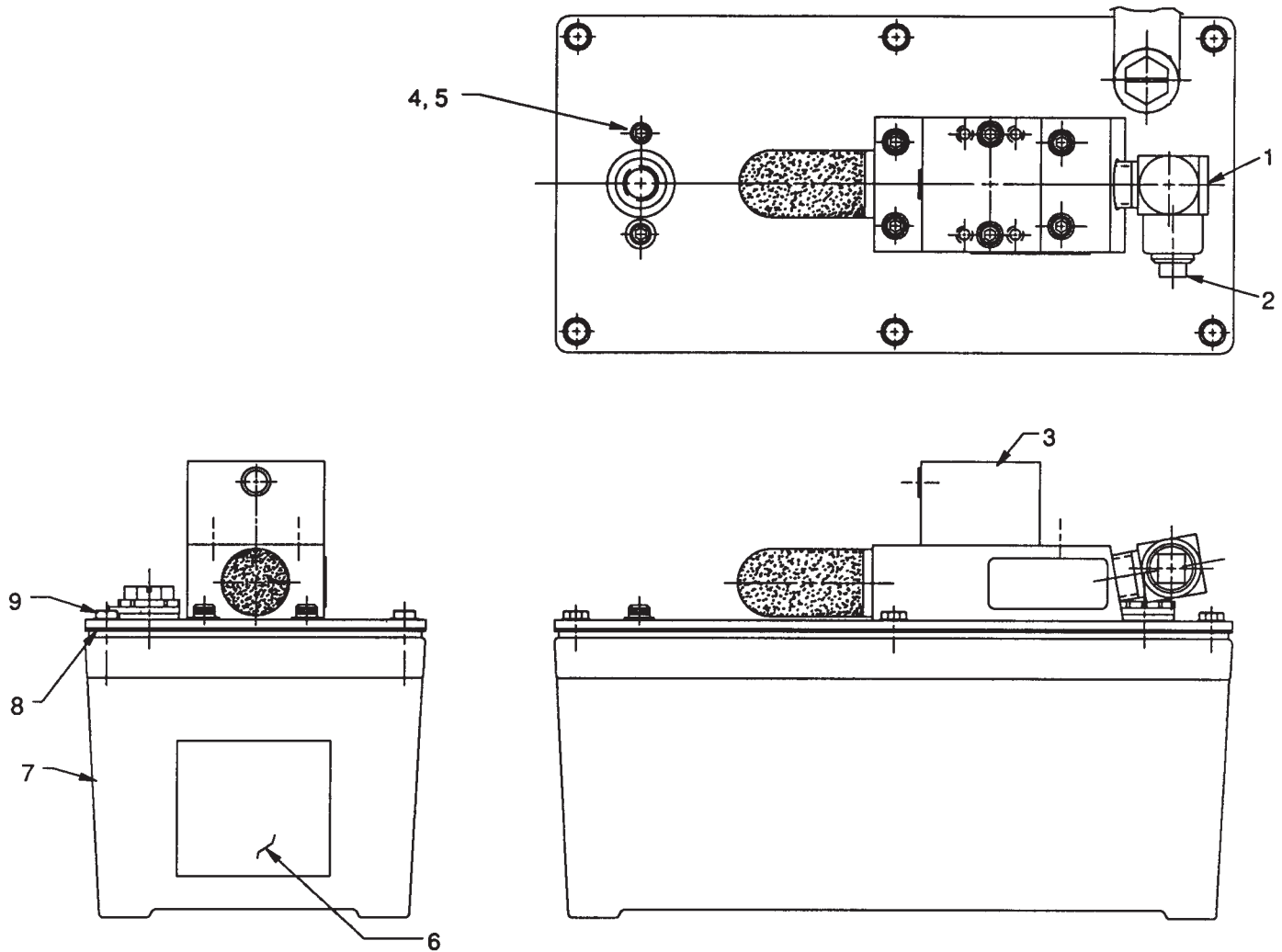


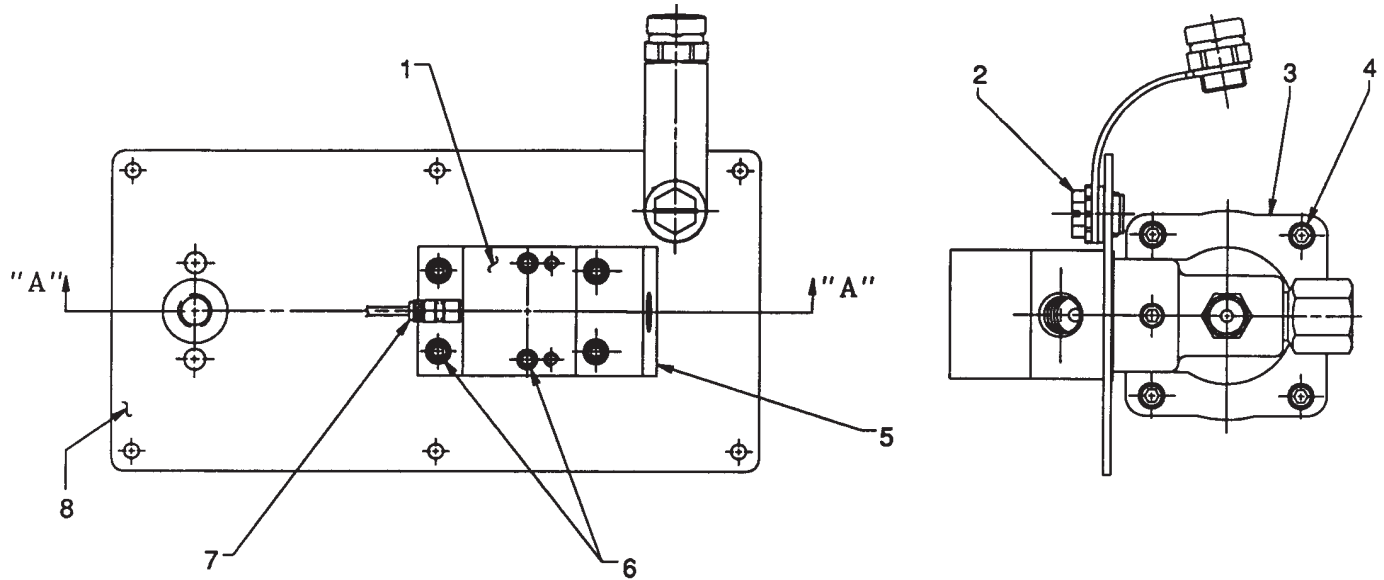
## AIR HYDRAULIC PUMP

Max. Capacity: 10,000 PSI



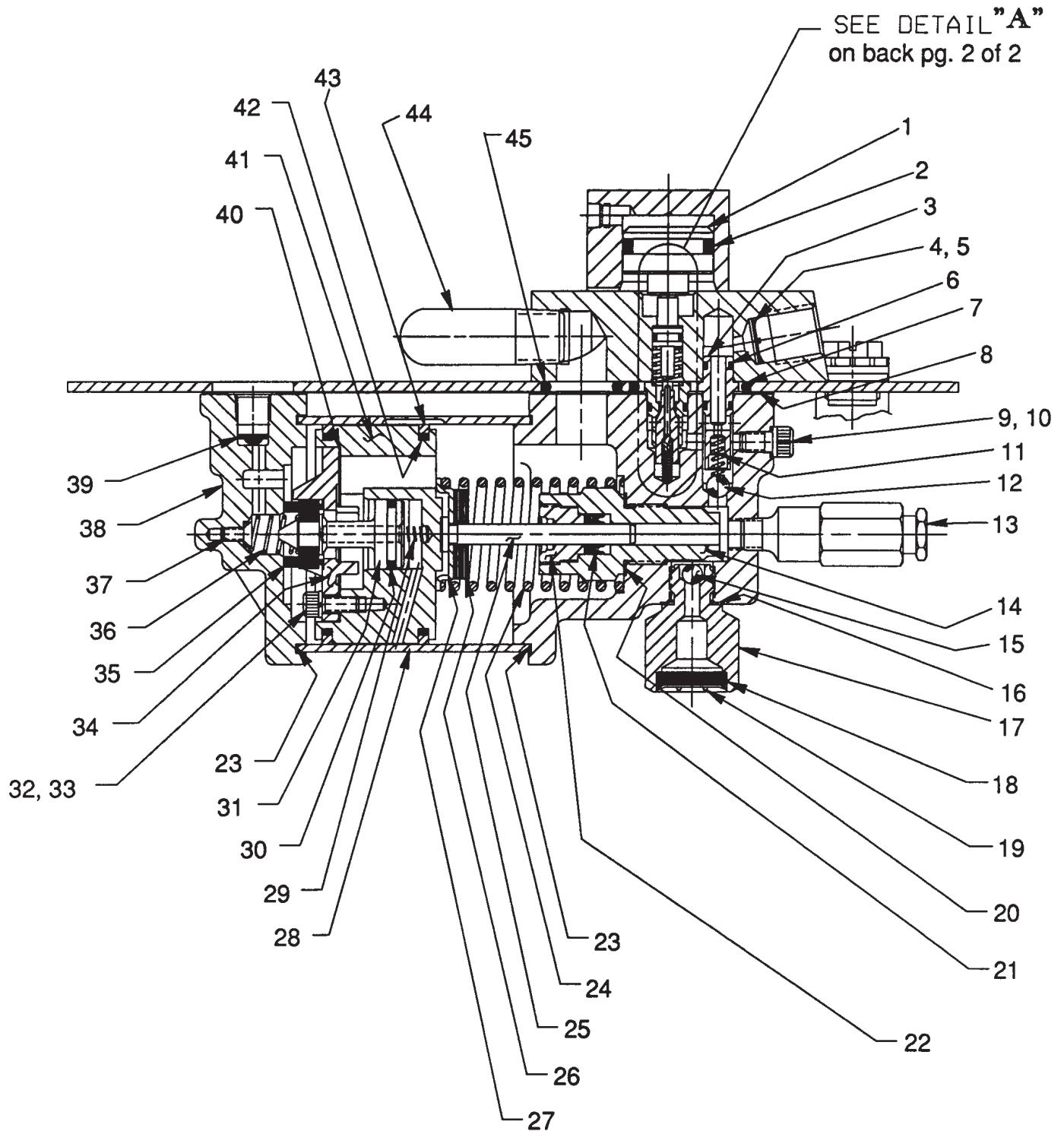
Item No.	Part No.	No. Req'd	Description
1	251056	1	90° Elbow
2	211061	1	Sq. Male Drive Plug
3	420293	1	Valve Body
4	11434	2	Cap Screw (10-24 UNC X 1/2 Lg.)
5	11089	2	Flat Washer (No. 10)
6	305494	1	Decal
7	61243	1	Reservoir
8	33853	1	Reservoir Gasket
9	211060	10	Screw (#9-15 X 1" Lg.; Torque to 25/30 in. lbs.)

## BASIC PUMP ASSEMBLY TOP AND END VIEW



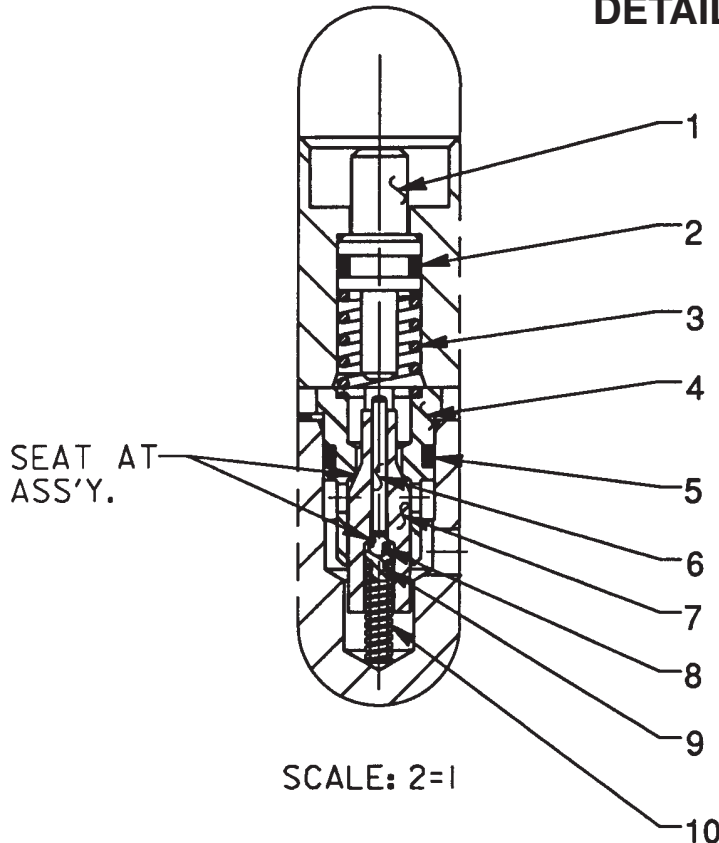
Item No.	Part No.	No. Req'd	Description
1	34759	1	Piston Relief Valve Body
2	20937S	1	Filler/Breather Cap
3	50494	1	Pump Body
4	17428	4	Soc. Hd. Cap Screw (1/4-20 x 4" Lg. Torque to 85/95 in. lbs.oiled. Note: Cross torque in increments of 30 in. lbs.)
5	58146	1	Release Valve Body
6	11151	4	Cap Screw (#10-24 x 1-1/4 Lg.; Torque to 50/60 in. lbs.)
7	14279	1	Straight Fitting
8	45840BK2	1	Cover Plate

# BASIC PUMP ASSEMBLY



Item No.	Part No.	No. Req'd	Description	Item No.	Part No.	No. Req'd	Description
1	34757	1	Release Piston	23	17429	2	Backup Ring
2	208144	1	O-ring (1-1/8 x 7/8 x 1/8)	24	13938	1	Compression Spring
3	34378	1	Check Valve Body	25	28226	1	Piston
4	250638	1	Screen	26	203143	1	Bumper
5	11088	1	Retaining Ring	27	210994	1	Spring Guide
6	211053	2	O-ring (3/8 x 1/4 x 1/16, -010)	28	37434	1	Air Cylinder (NOTE: Locate groove on upper half (top) of pump with chamfered tube end towards rear head as shown.)
7	10281	1	O-ring (1-1/2 x 1-1/4 x 1/8, -218)	29	12692	1	Compression Spring
8	34283	1	Gasket	30	211052	1	O-ring (.900 x .706 x .097, -909)
9	10442	1	Copper Washer (3/8 x 1/4 x 1/32)	31	305475	1	Exhaust Valve Stem
10	10002	1	Soc. Hd. Cap Screw (1/4-20 x 3/8 Lg.; Torque to 90/110 in. lbs.)	32	10241	3	Lockwasher (#10)
11	10445	1	Compression Spring	33	211054	3	Soc. Hd. Cap Screw (#10-24 x 1/2 Lg.; Torque to 50/55 in. lbs.)
12	10423	1	Steel Ball (9/32 dia.)	34	33822	1	End Piston Plate
13	21278	1	Relief Valve Assembly (Set at 10,000/10,700 PSI)	35	28183	1	Piston Poppet
14	45278	1	Piston Cylinder (Torque to 90/100 ft. lbs. oiled.)	36	205679	1	Compression Spring
15	10375	1	Steel Ball (1/4 dia.)	37	205674	1	Flat Hd. Screw (#8-32 x 3/8 Lg.; Torque to 12/18 in. lbs.)
16	10261	1	Soft Copper Washer	38	37468	1	Rear Head
17	308893	1	Filter Adapter (Torque to 40/50 ft. lbs. oiled.)	39	216296	1	Screen
18	214578	1	Filter	40	28239	1	Gasket
19	214586	1	Retaining Ring (Internal)	41	52390	1	Piston Body
20	10263	1	Soft Copper Washer	42	11229	2	O-ring (2-3/8 x 2-3/16 x 3/32, -139)
21	13934	1	U-cup	43	14265	2	Piston Seal
22	304295	1	Retainer (NOTE: Apply Loctite No. 277 to external threads and torque to 80/100 in. lbs.)	44	250461	1	Muffler
				45	10276	1	O-ring (1" x 3/4 x 1/8, -210)

DETAIL "A"



Item No.	Part No.	No. Req'd	Description
1	28227	1	Release Valve
2	211053	1	O-ring (3/8 x 1/4 x 1/16, -010)
3	13944	1	Compression Spring
4	34377	1	Retainer Poppet
5	15279	1	O-ring (1/2 x 3/8 x 1/16, -012)
6	13937	1	Dowel Pin (NOTE: Place tapered end toward ball.)
7	29037	1	Release Valve Poppet
8	14443	1	Steel Ball
9	209736	1	Ball Retainer
10	13959	1	Compression Spring