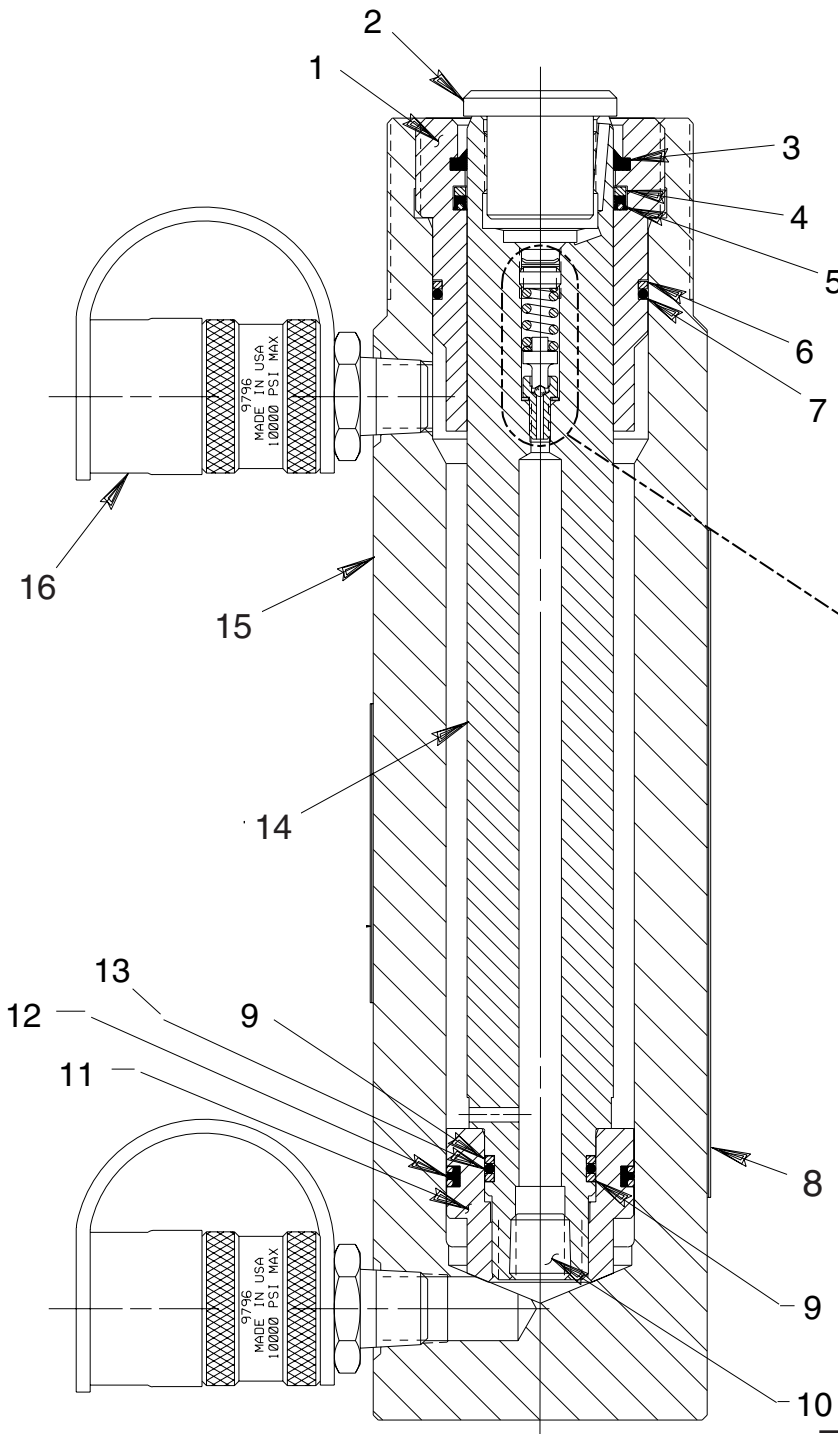


**DOUBLE-ACTING  
HYDRAULIC CYLINDER**  
Max. Capacity: 11.2 Tons at 10,000 PSI



**Double-acting  
Cylinder  
Relief Valve**

See important

**! DANGER**  
statement  
on back of  
sheet 1 of 1



**DANGER:** To help avoid possible serious personal injury or death,

- In the event that the cylinder retract port is ever restricted or plugged, a double-acting cylinder relief valve will help prevent excessive pressure from building in the cylinder. **DO NOT** attempt to adjust or service this relief valve! If oil leakage is detected from this relief valve, discontinue use of the cylinder immediately and contact Power Team Technical Services. Only Power Team Authorized Hydraulic Service Centers should service this relief valve.

Item No.	Part No.	No. Req'd	Description
1	43393	1	Retainer Nut (Torque to 100 ft. lbs.)
2	201362	1	Thread Adapter (For RD106 only)
3	*19578	1	Rod Wiper
4	*19583	1	Backup Washer (1-9/16 x 1-5/16 x .048)
5	*19577	1	U-cup
6	*19136	1	Backup Washer (1-15/16 x 1-3/4 x .048)
7	*10535	1	O-ring (1-5/16 X 1-3/4 X .093)
8	420892	1	Full Coverage Decal (For RD106)
9	*19131	2	Backup Washer (1" x 13/16 x .048)
10	14972	1	Pipe Plug (1/4 NPTF)
11	43392	1	Piston Head (Torque to 200 ft. lbs. Use Loctite No. 277 when assembling piston head to piston rod [item #15].)
12	19757	1	T-seal w/ Backup Rings (Smooth side of backup ring must be against seal.)
13	*10658	1	O-ring (1" X 13/16 X 3/32)
14	58318	1	Piston Rod
15	58319	1	Cylinder Body
16	9796	2	Ram Half Coupler w/ Plastic Dust Cap (For RD106 only)
	11127	2	Pressure Plug (For 58320 only)

**PARTS INCLUDED BUT NOT SHOWN**

421278 1 Thread Protector

Part numbers marked with an asterisk (\*) are contained in Repair Kit No. 300017.

Refer to any operating instructions included with this product for detailed information about operation, testing, disassembly, reassembly, and preventive maintenance.

Items found in this parts list have been carefully tested and selected. **Therefore: Use only genuine Power Team replacement parts!**

Additional questions can be directed to our Technical Services Department.

Note: Removed Warning Decal (part no. 203908) at last revision(s) made to this form.