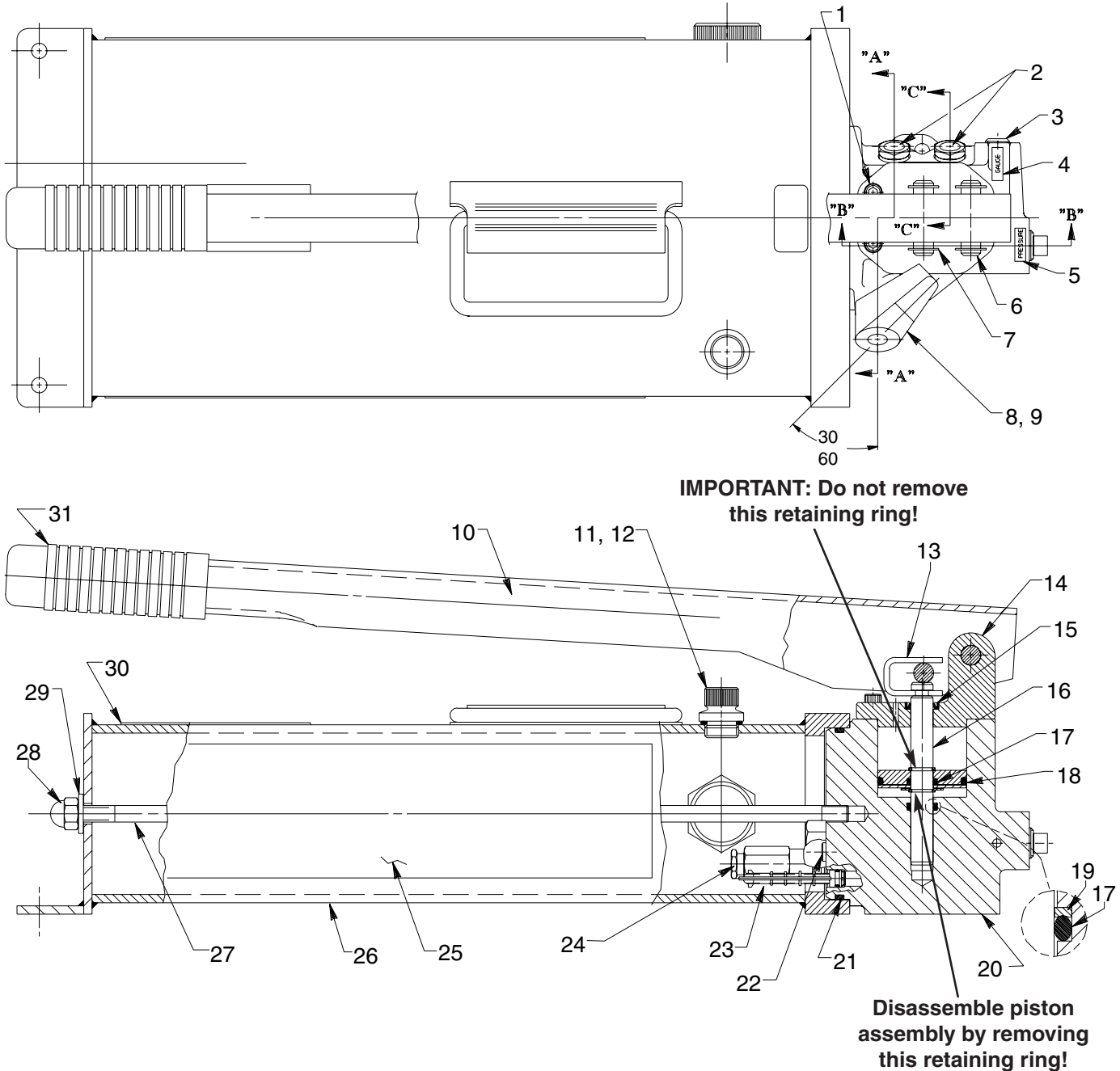


TWO-SPEED HYDRAULIC HAND PUMP

Max. Capacity: 10,000 PSI



Parts List, Form No. 101359, Back sheet 1 of 2

Item No.	Part No.	No. Req'd	Description
1	10008	4	Cap Screw (1/4-20 UNC X 3/4 Lg.)
2	*215907	2	Decal
3	14972	1	Pipe Plug (1/4 NPTF)
4	215300	1	Decal
5	215301	1	Pressure Decal
6	211742	2	Dowel Pin
7	211743	4	Retaining Ring (Note: Expand retaining ring to .440 max. during installation.)
8	21643	1	Valve Release Handle
9	10556	2	Set Screw (1/4-20 UNC X 1/4 Lg.; Note: Screw in valve stem [Item 10 on sheet 2 of 2] until seated [bottomed out]. Then position knob as shown approx. 1/16" from casting surface. Lock in place with set screws. Torque to 50/70 in. lbs.)
10	61806OR9	1	Handle Assembly
11	27142	1	Filler Plug
12	10527	1	O-ring (Nitrile; 13/16 X .644 X .087, -908)
	11450	1	O-ring (Viton; 13/16 X .644 X .087, -908)
	17723	1	O-ring (EPR; 13/16 X .644 X .087, -908)
13	211470	1	Piston Clip
14	53094	1	Cap
15	*15092	1	Rod Wiper (Nitrile)
	19321	1	Rod Wiper (Viton)
	250841	1	Rod Wiper (EPR)
16	251377	1	Piston Assembly (IMPORTANT: Never remove the upper retaining ring from this piston assembly.)
17	*10271	2	O-ring (11/16 X 1/2 X 3/32, -112; Included with piston assembly Item #16)
	11445	2	O-ring (Viton; 11/16 X 1/2 X 3/32, -112)
	19406	2	O-ring (EPR; 11/16 X 1/2 X 3/32, -112)
18	*10294	1	O-ring (2" X 1-3/4 X 1/8, -224; Included with piston assembly Item #16)
	11447	1	O-ring (Viton; 2" X 1-3/4 X 1/8, -224)
	215366	1	O-ring (EPR; 2" X 1-3/4 X 1/8, -224)
19	*213987	1	Backup Washer (11/16 X 1/2 X 3/64, -112; Note: Assemble with concave surface towards o-ring.)
20	61804	1	Pump Body
21	*214693	1	O-ring (3-7/8 X 3-5/8 X 1/8, -239)
	19048	1	O-ring (Viton; 3-7/8 X 3-5/8 X 1/8, -239)
	214072	1	O-ring (EPR; 3-7/8 X 3-5/8 X 1/8, -239)
22	10427	1	Pressure Plug (1/8 NPTF)
23	*215075	1	Filter
24	21278	1	Relief Valve Assembly (See note below)
25	309221	2	Trade Name Decal
26	64487	1	Reservoir Assembly
27	251382	1	Tie Rod (Note: Screw in tie rod until it bottoms out in pump body.)
28	10842	1	Cap Nut
29	251348	1	Seal Washer
	251355	1	Seal Washer (Viton)
	12042	1	Copper Washer (To be used on pumps with EPR seals)
30	*305977	1	Warning Decal
31	211769	1	Handle Grip

Part numbers marked with an asterisk (*) are contained in Repair Kit No. 300487.

NOTE

Standard relief valves are set at 10,000/10,700 PSI.

Relief valves pre-set at special settings are available.

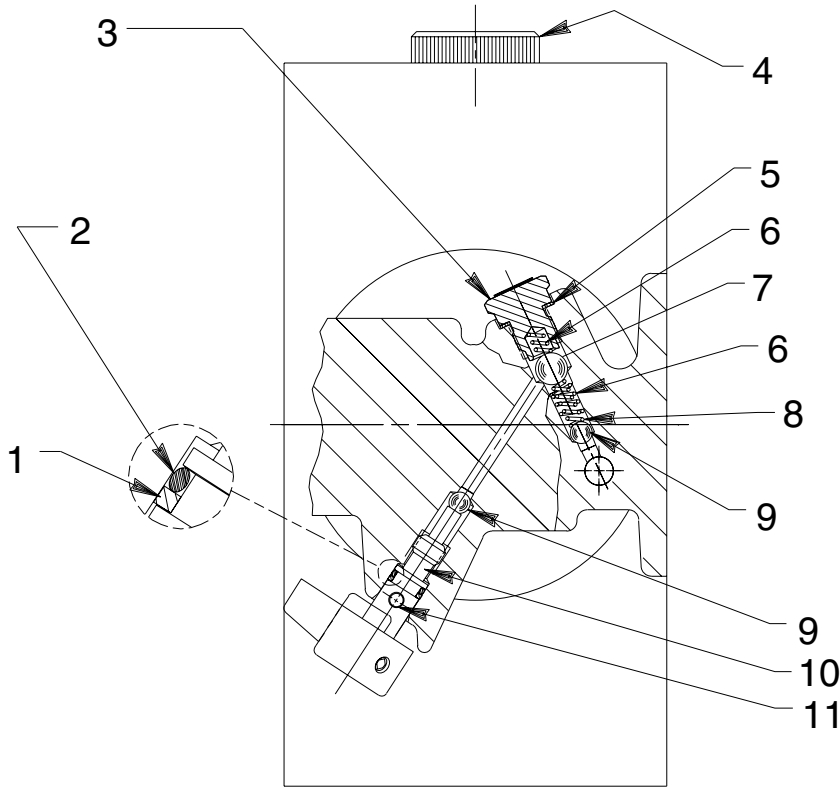
Refer to your pump model number or contact Power Team Technical Services.



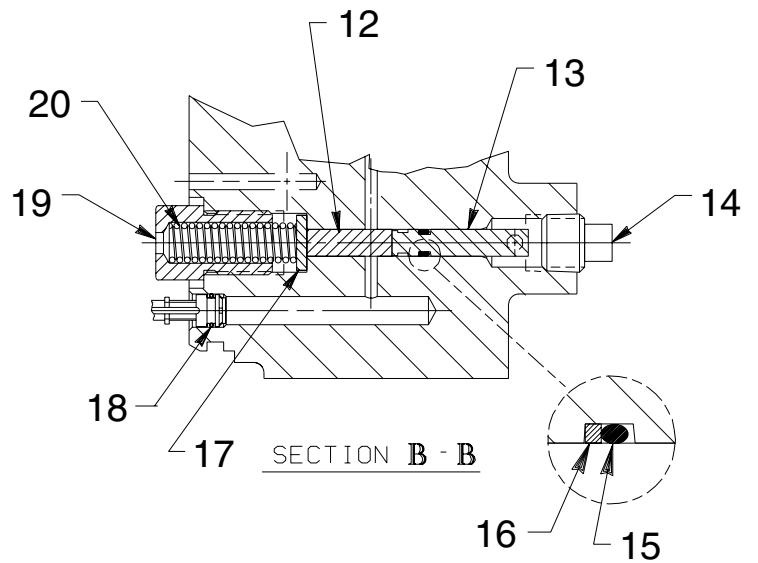
NOTE: Shaded areas reflect last revision(s) made to this form.

SECTIONS A-A, B-B, & C-C

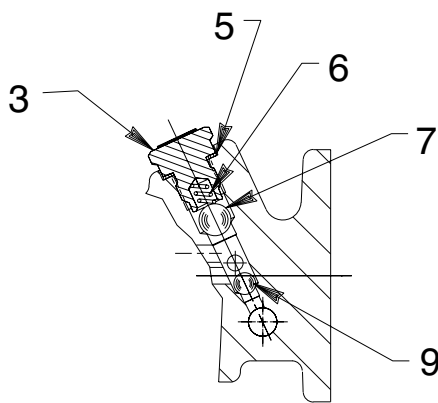
To Parts List



SECTION A-A



SECTION B-B



SECTION C-C

Item No.	Part No.	No. Req'd	Description
1	*15085	1	Backup Washer (7/16 X 5/16 X 3/64 Thk., -011)
2	*10267	1	O-ring (7/16 X 5/16 X 1/16, -011)
	18974	1	O-ring (Viton; 7/16 X 5/16 X 1/16, -011)
	13472	1	O-ring (EPR; 7/16 X 5/16 X 1/16, -011)
3	305975	2	Valve Screw (Torque to 350/370 in. lbs.)
4	17586	1	Sight Gauge
5	*14874	2	Soft Copper Washer (.700 X 1/2 X 1/32)
6	*10444	3	Compression Spring (3/16 I.D. X 13/32 Lg.)
7	*10378	2	Steel Ball (3/8 Dia.)
8	*211797	1	Spring (5/32 O.D. X 5/8 Lg.)
9	*10375	3	Steel Ball (1/4 Dia.)
10	350185	1	Release Valve Screw
11	*15528	1	Ball (Note: Push in nylon ball until it bottoms out in hole. Permissible to flatten ball during installation.)
12	14588	1	Dowel Pin
13	214691	1	Unloading Valve Piston
14	11127	1	Pressure Plug (3/8 NPTF)
15	*10265	1	O-ring (5/16 X 3/16 X 1/16, -008)
	11437	1	O-ring (Viton; 5/16 X 3/16 X 1/16, -008)
	17714	1	O-ring (EPR; 5/16 X 3/16 X 1/16, -008)
16	*15174	1	Backup Ring (5/16 X 3/16 X 3/64, -008)
17	214692	1	Disc
18	*12557	1	O-ring (11/32 X 7/32 X 1/16, -009)
	18973	1	O-ring (Viton; 11/32 X 7/32 X 1/16, -009)
	215375	1	O-ring (EPR; 11/32 X 7/32 X 1/16, -009)
19	308430	1	Unloading Valve Fitting
20	214694	1	Compression Spring (1/2 O.D. X 2-1/8 Lg.)

Part numbers marked with an asterisk (*) are contained in Repair Kit No. 300487.



Refer to any operating instructions included with this product for detailed information about operation, testing, disassembly, reassembly and preventive maintenance.

Items found in this parts list have been carefully tested and selected. **Therefore: Use only genuine Power Team replacement parts!**

Additional questions can be directed to our Technical Services Department.