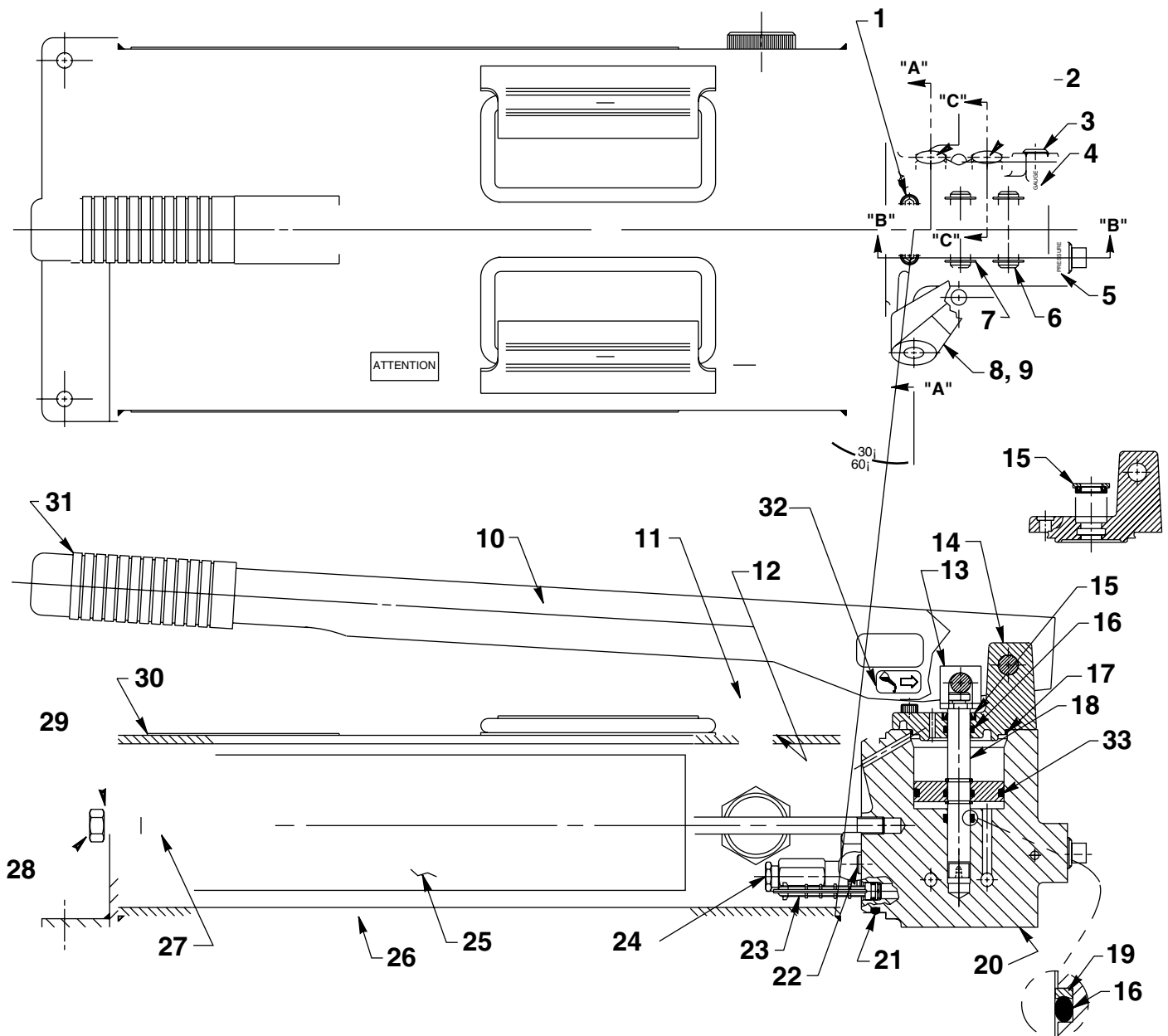


**MODEL B
TWO-SPEED
HYDRAULIC HAND PUMP
Max. Capacity: 10,000 PSI**



Parts List, Form No. 101429, Back sheet 1 of 2

Item No.	Part No.	No. Req'd	Description
1	251564	4	Cap Screw (1/4-20 UNC X 3/4 Lg.)
2	•†*215907	2	Decal
3	14972	1	Pipe Plug (1/4 NPTF)
4	215300	1	Decal
5	215301	1	Pressure Decal
6	211742	2	Dowel Pin
7	211743	4	Retaining Ring (Note: Expand retaining ring to .440 max. dia. during installation.)
8	21643	1	Valve Release Handle
9	10556	2	Set Screw (1/4-20 UNC X 1/4 Lg.; Note: Screw in valve stem [Item 10 on sheet 2 of 2] until seated [bottomed out]. Then position knob as shown approx. 1/16" from casting surface. Lock in place with set screws. Torque to 50/70 in. lbs.)
10	61806OR9	1	Handle Assembly
11	27142	1	Filler Plug
12	*10527	1	O-ring (Nitrile; 13/16 X .644 X .087)
	†11450	1	O-ring (Viton; 13/16 X .644 X .087)
	•17723	1	O-ring (EPR; 13/16 X .644 X .087)
13	350923	1	Piston Clip
14	58485WH2	1	Cap (Iron)
15	*15092	1	Rod Wiper (Nitrile)
	†19321	1	Rod Wiper (Viton)
	•250841	1	Rod Wiper (EPR)
16	*10271	3	O-ring (11/16 X 1/2 X 3/32; Included with piston assembly Item #16)
	†11445	3	O-ring (Viton; 11/16 X 1/2 X 3/32)
	•19406	3	O-ring (EPR; 11/16 X 1/2 X 3/32)
17	*251603	1	O-ring (2-1/8 x 2" x 1/16)
	†18985	1	O-ring (Viton; 2-1/8 x 2" x 1/16)
	•251604	1	O-ring (EPR; 2-1/8 x 2" x 1/16)
18	253268	1	Piston Assembly
19	•†*213987	1	Backup Washer (11/16 X 1/2 X 3/64; Note: Assemble with concave surface towards o-ring.)
20	64597	1	Pump Body
21	*214693	1	O-ring (3-7/8 X 3-5/8 X 1/8)
	†19048	1	O-ring (Viton; 3-7/8 X 3-5/8 X 1/8)
	•214072	1	O-ring (EPR; 3-7/8 X 3-5/8 X 1/8)
22	10427	1	Pressure Plug (1/8 NPTF)
23	•†*215075	1	Filter
24	21278	1	Relief Valve Assembly (See note below)
25	309221CE	2	Trade Name Decal
26	64487	1	Reservoir Assembly
27	251382	1	Tie Rod (Note: Screw in tie rod until it bottoms out in pump body.)
28	10842	1	Cap Nut
29	*251348	1	Seal Washer
	†251355	1	Seal Washer (Viton)
	12042	1	Copper Washer (To be used on pumps with EPR seals)
30	•†*305977	1	Warning Decal
31	211769	1	Handle Grip
32	253234	1	Decal, Oil Pivot Pins
33	*10294	1	O-ring (2.00 x 1.75 Nitrile)
	†11447	1	O-ring (2.00 x 1.75 Viton)
	•215366	1	O-ring (2.00 x 1.75 EPR)

PARTS INCLUDED BUT NOT SHOWN

†205724	1	Decal (Viton seals)
•250328	1	Decal (EPR seals)
253300	1	Seal Washer (For sight gauge on reservoir assembly.)

Note: Shaded areas reflect last revision(s) made to this form.

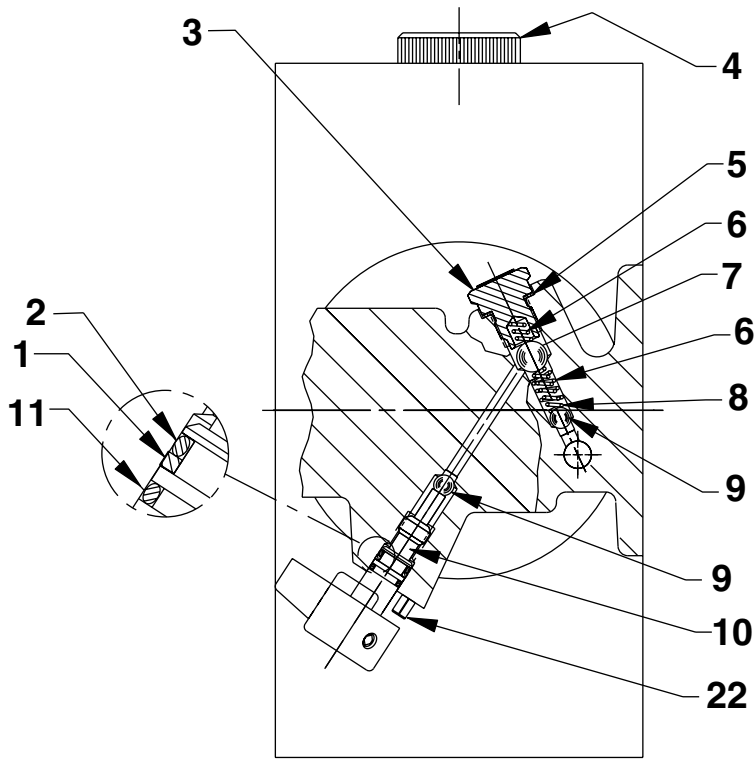
Part numbers marked with an asterisk (*) are contained in Standard Repair Kit No. 300695.

Part numbers marked with a dagger (†) are contained in Viton Seal Kit No. 300696.

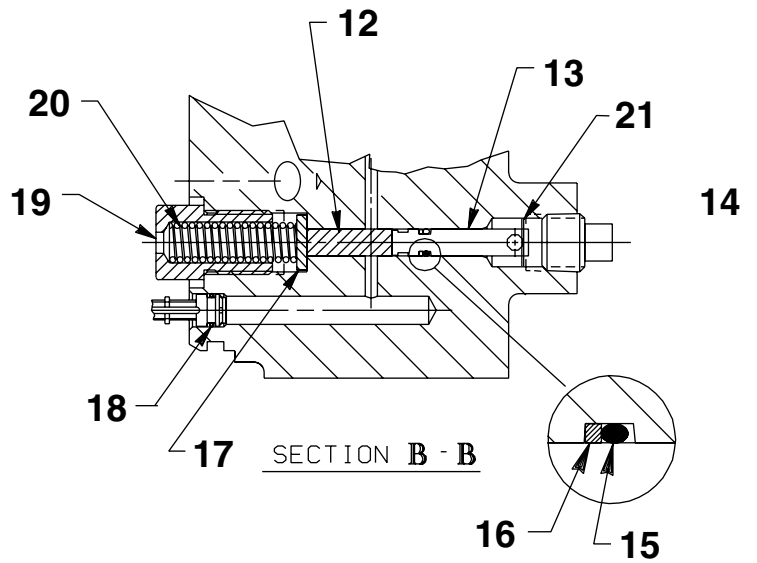
Part numbers marked with a bullet (•) are contained in EPR Seal Kit No. 300697.

NOTE: Standard relief valves are set at 10,000/10,700 PSI. Relief valves pre-set at special settings are available. Refer to your pump model number or contact Power Team Technical Services.

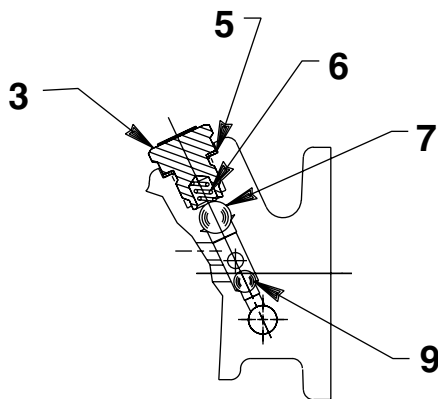
SECTIONS A-A, B-B, & C-C



SECTION A - A



SECTION B - B



SECTION C - C

Item No.	Part No.	No. Req'd	Description
1	•†*15085	1	Backup Washer (7/16 X 5/16 X 3/64 Thk.)
2	*10267	1	O-ring (7/16 X 5/16 X 1/16)
	†18974	1	O-ring (Viton; 7/16 X 5/16 X 1/16)
	•13472	1	O-ring (EPR; 7/16 X 5/16 X 1/16)
3	351952	2	Valve Screw (Torque to 350/370 in. lbs.)
4	17586	1	Sight Gauge
5	•†*14874	2	Soft Copper Washer (.700 X 1/2 X 1/32)
6	•†*10444	3	Compression Spring (3/16 I.D. X 13/32 Lg.)
7	•†*10378	2	Steel Ball (3/8 Dia.)
8	•†*211797	1	Spring (5/32 O.D. X 5/8 Lg.)
9	•†*10375	3	Steel Ball (1/4 Dia.)
10	350185	1	Release Valve Screw
11	14763	1	O-ring (.43 x .31; Urethane)
12	14588	1	Dowel Pin
13	252275	1	Unloading Valve Piston Kit (Includes retaining ring [Item #21] and unloading valve piston)
14	11127	1	Pressure Plug (3/8 NPTF)
15	*10265	1	O-ring (5/16 X 3/16 X 1/16)
	†11437	1	O-ring (Viton; 5/16 X 3/16 X 1/16)
	•17714	1	O-ring (EPR; 5/16 X 3/16 X 1/16)
16	•†*15174	1	Backup Ring (5/16 X 3/16 X 3/64)
17	214692	1	Disc
18	*12557	1	O-ring (11/32 X 7/32 X 1/16)
	†18973	1	O-ring (Viton; 11/32 X 7/32 X 1/16)
	•215375	1	O-ring (EPR; 11/32 X 7/32 X 1/16)
19	308430	1	Unloading Valve Fitting
20	214694	1	Compression Spring (1/2 O.D. X 2-1/8 Lg.)
21	252273	1	Retaining Ring (Included in unloading valve piston kit [Item #13].)
22	10714	1	Slotted Spring Pin (.19 x .63)

Part numbers marked with an asterisk (*) are contained in Standard Repair Kit No. 300695.

Part numbers marked with a dagger (†) are contained in Viton Seal Kit No. 300696.

Part numbers marked with a bullet (•) are contained in EPR Seal Kit No. 300697.

Refer to any operating instructions included with this product for detailed information about operation, testing, disassembly, reassembly and preventive maintenance.

Items found in this parts list have been carefully tested and selected. **Therefore: Use only genuine Power Team replacement parts!**

Additional questions can be directed to our Technical Services Department.