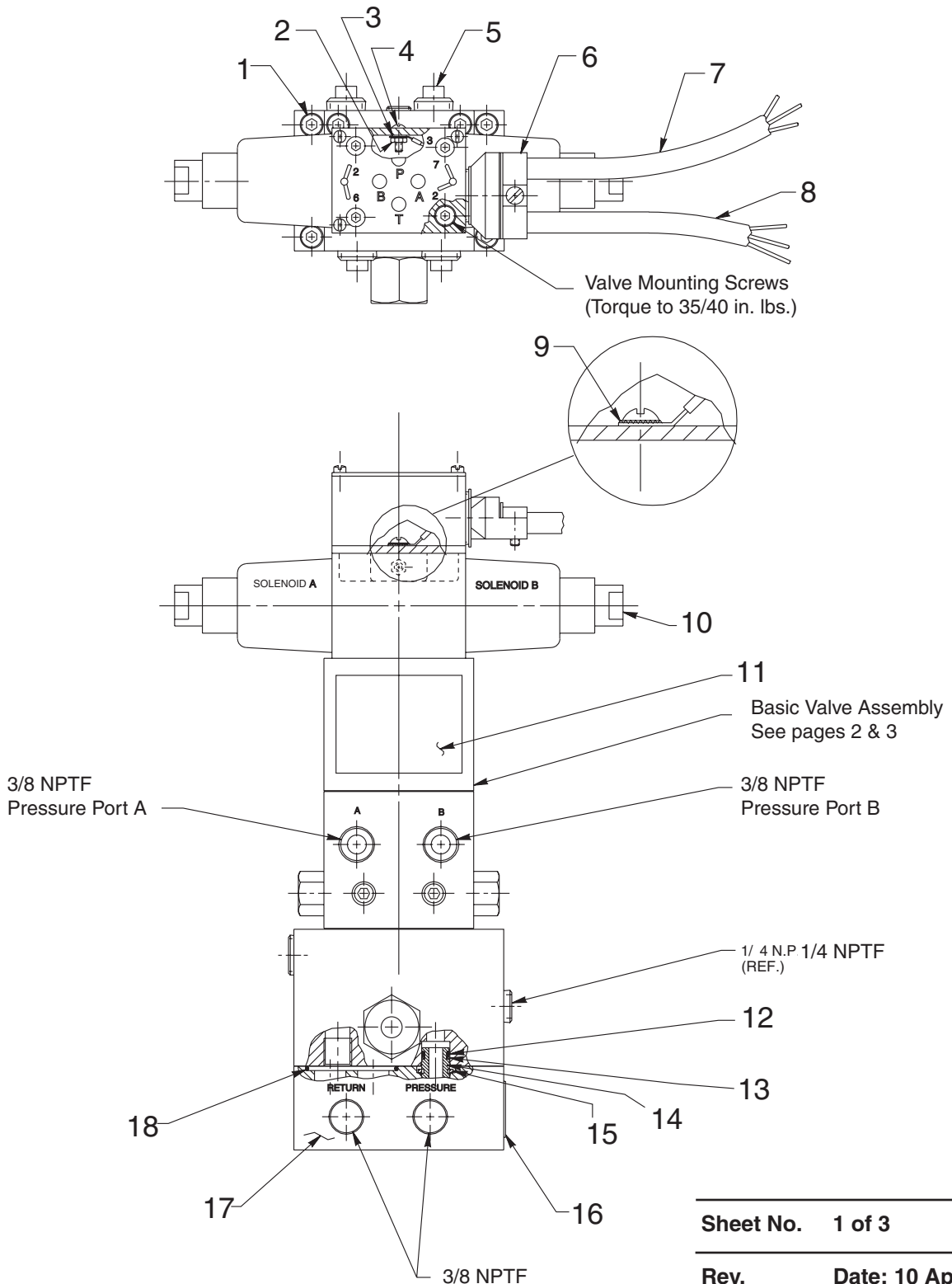


MODEL B
SOLENOID CONTROLLED, PILOT OPERATED, 3 POSITION, 4-WAY
VALVE ASSEMBLY



Parts List, Form No. 101459, Back sheet 1 of 3

Item No.	Part No.	No. Req'd	Description	Item No.	Part No.	No. Req'd	Description
1	10856	4	Cap Screw (Torque to 70/80 in. lbs.)	11	251692	1	Identification Decal
2	10195	1	Nut (#6-32)	12	*10268	2	O-ring (1/2 x 3/8 x 1/16, -012)
3	15906	1	Lockwasher (#6)	13	*11863	2	Backup Washer (1/2 x 3/8 x 1/16, -012)
4	10448	1	Screw (#6 x 3/8 Lg.)	14	21094	1	Bushing
5	11127	4	Pipe Plug (3/8 NPTF)	15	251124	1	Retaining Ring
6	17866	1	Connector	16	*208358	1	Warning Decal
7	24733	1	Power Cord	17	52506	1	Subplate
8	202778	1	Remote Control Hand Switch	18	*10914	1	O-ring (1-3/8 x 1-1/16 x 3/32, -123)
9	15904	1	Terminal Ring				
10	16664-1	1	Solenoid Valve				

Part numbers marked with an asterisk (*) are contained in Repair Kit No. 300495.

OPERATION

Neutral (Hold): When both solenoids are de-energized, oil from pump circulates at free flow from the pressure port "P" to tank "T". Both cylinder ports are blocked.

Solenoid "A" Energized: Pressure to cylinder port "A". Cylinder port "B" to tank.

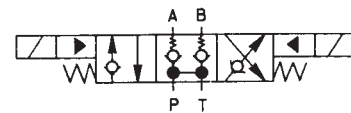
Solenoid "B" Energized: Pressure to cylinder port "B". Cylinder port "A" to tank.

NOTE: Pressure holds without loss when shifted from cylinder port to the neutral (Hold) position.

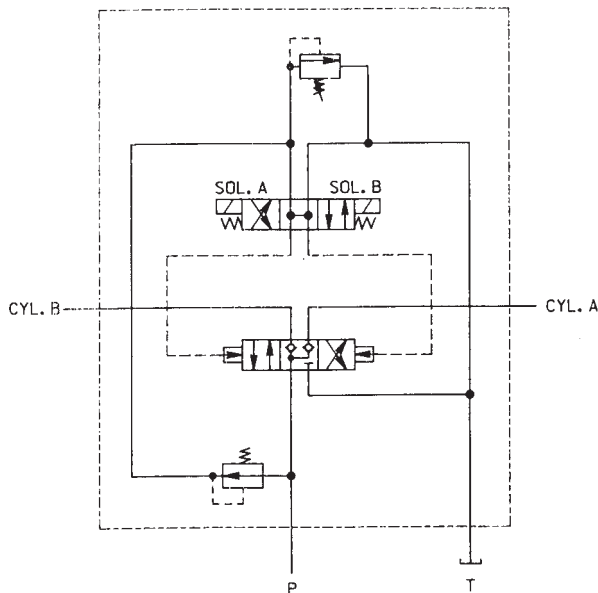
For pump, connect lines to pressure and return ports on remote mounted valve. Connect double-acting cylinder to valve. With remote control, operate cylinder to assure proper function of valve.

PORT SIZES: 3/8" NPTF
 MAXIMUM PRESSURE: 10,000 PSI
 MAX. RECOMMENDED FLOW: 5 GPM

SIMPLIFIED SYMBOL

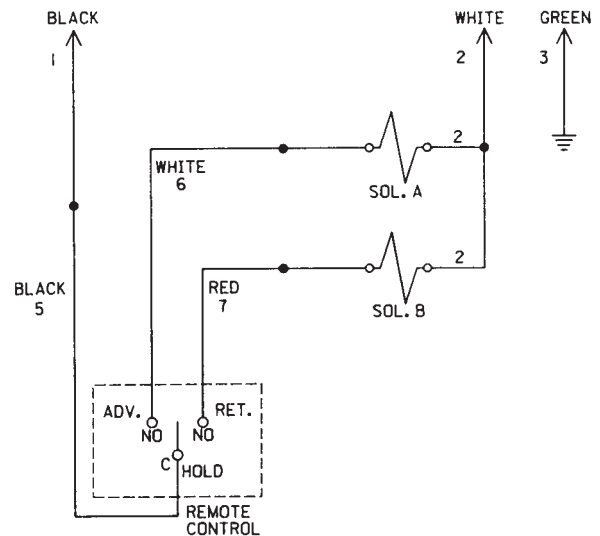


HYDRAULIC SCHEMATIC

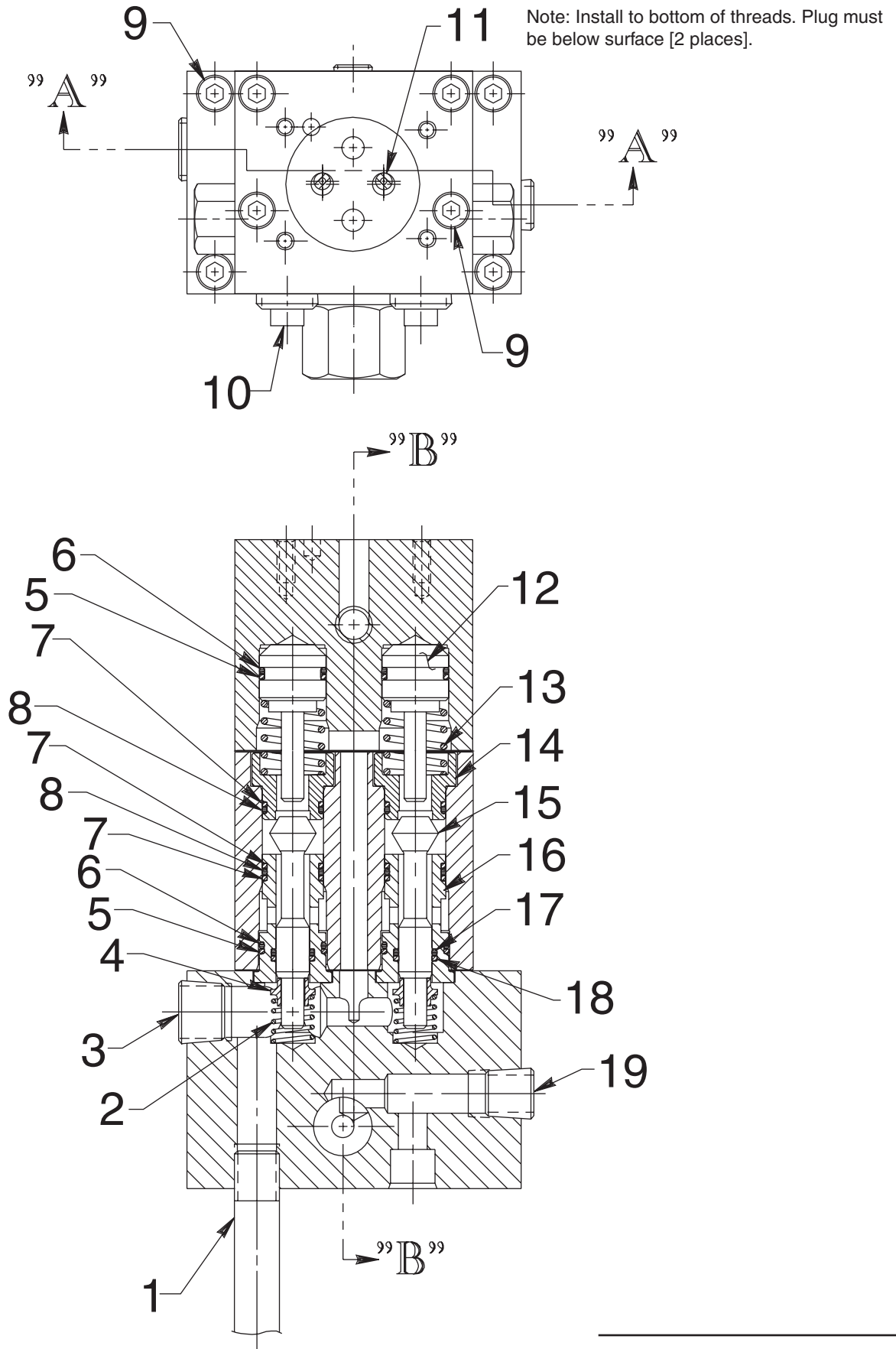


ELECTRICAL SCHEMATIC

115 Volt, 60 Hz.



TOP VIEW AND SECTION A-A



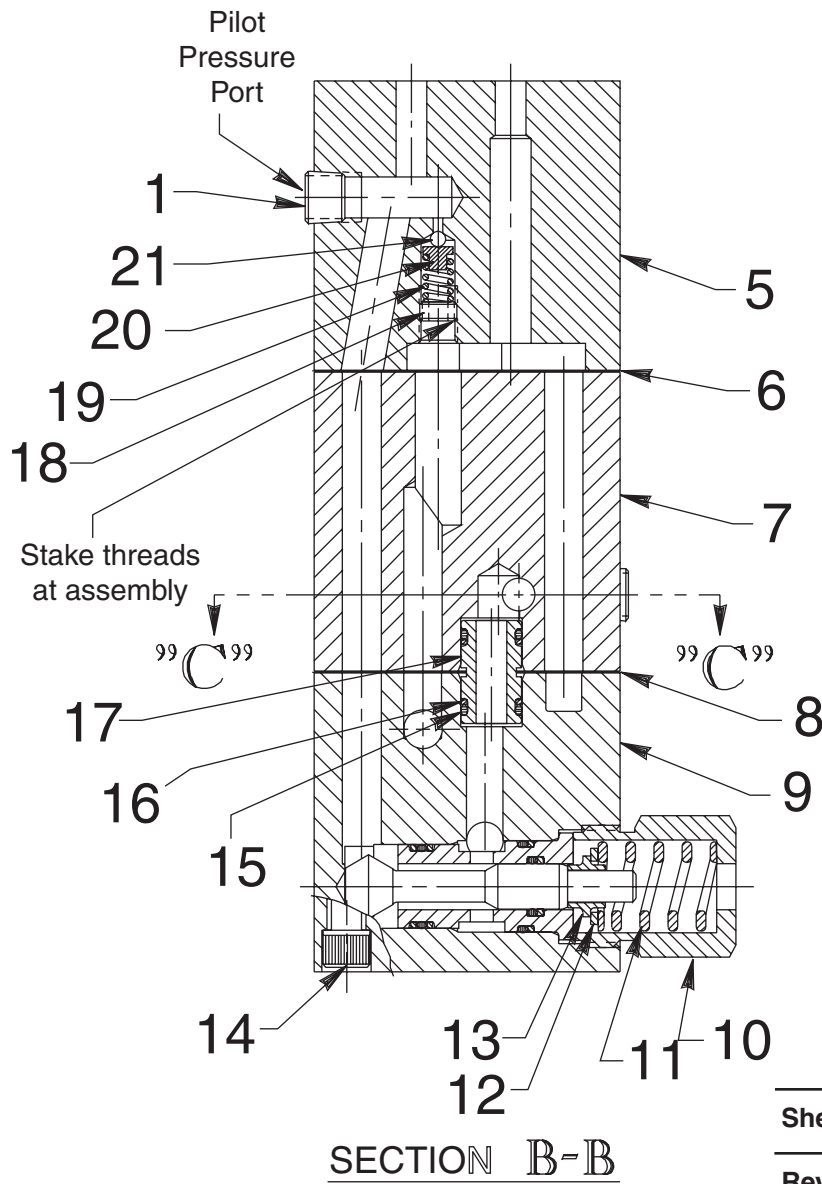
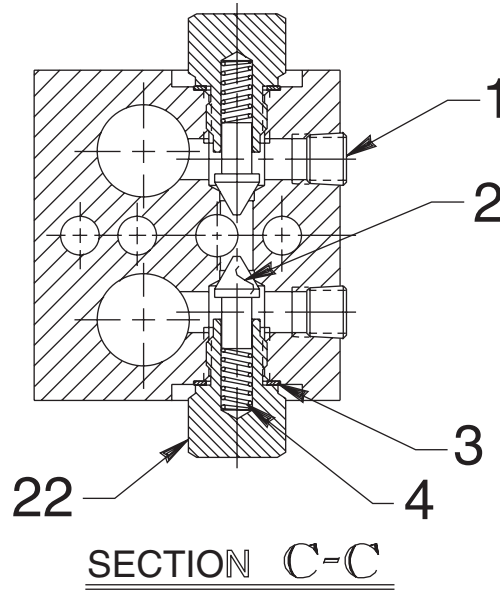
SECTION A-A

Parts List, Form No. 101459, Back sheet 2 of 3

Item No.	Part No.	No. Req'd	Description
1	200609	1	Drain Tube
2	11195	2	Compression Spring (1/2 O.D. x 3/4 Lg.)
3	10909	1	Plug (3/8 NPTF)
4	202479	2	Check Valve Spring Guide
5	*12392	4	Backup Washer (3/4 x 5/8 x 3/64, -016)
6	*10302	4	O-ring (3/4 x 3/8 x 1/16, -016)
7	*12391	6	Backup Washer (11/16 x 9/16 x 3/64, -015)
8	*11284	4	O-ring (11/16 x 9/16 x 1/16, -015)
9	10856	8	Cap Screw (1/4-20 x 2-1/2 Lg.; Torque to 150/170 in. lbs.)
10	11127	2	Plug (3/8 NPTF)
11	251675	2	Orifice Plug (Note: Install to bottom of threads. Plug must be below surface [2 places].)
12	307090	2	Pilot Piston
13	213880	2	Compression Spring (11/16 O.D. x 1" Lg.)
14	307089	2	Valve Seat
15	200542	2	Poppet
16	22068	2	Bushing
17	*10268	2	O-ring (1/2 x 3/8 x 1/16, -012)
18	*11863	2	Backup Washer (1/2 x 3/8 x 3/64, -012)
19	10479	1	Pipe Plug (1/4 NPTF)

Part numbers marked with an asterisk (*) are contained in Repair Kit No. 300495.

SECTIONS B-B AND C-C



Parts List, Form No. 101459, Back sheet 3 of 3

Item No.	Part No.	No. Req'd	Description
1	10427	3	Pipe Plug (1/8 NPTF)
2	213096	2	Poppet
3	*14874	2	Copper Washer (11/16 x 1/2 x 1/32)
4	15691	2	Compression Spring (1/4 O.D. x 5/8 Lg.)
5	61751	1	Valve Body (Top)
6	*307282	1	Gasket (Top/Center)
7	61529	1	Valve Body (Center)
8	*307579	1	Gasket (Center/Lower)
9	61528	1	Valve Body (Lower)
10	202494	1	Spring Retainer (Torque to 100/125 ft. lbs.)
11	14979	1	Compression Spring (3/4 O.D. x 1" Lg.)
12	16668	1	Washer (5/8 x 3/8 x 1/16)
13	202479	1	Check Valve Spring Guide
14	10856	4	Cap Screw (1/4-20 x 2-1/2 Lg.; Torque to 200/230 in. lbs.)
15	*10268	3	O-ring (1/2 x 3/8 x 1/16, -012)
16	*11863	3	Backup Washer (1/2 x 3/8 x 3/64, -012)
17	21094	1	Bushing
18	16704	1	Soc. Hd. Jam Screw (5/16-24 UNF x 5/32 Lg.)
19	16665	1	Compression Spring (5/32 I.D. x 1/2 Lg.)
20	202499	1	Spring Guide
21	10418	1	Steel Ball (1/8 dia.)

Part numbers marked with an asterisk (*) are contained in Repair Kit No. 300495.

Refer to any operating instructions included with this product for detailed information about operation, testing, disassembly, reassembly, and preventive maintenance.

Items found in this parts list have been carefully tested and selected. **Therefore: Use only genuine replacement parts!**

Additional questions can be directed to our Technical Services Department.