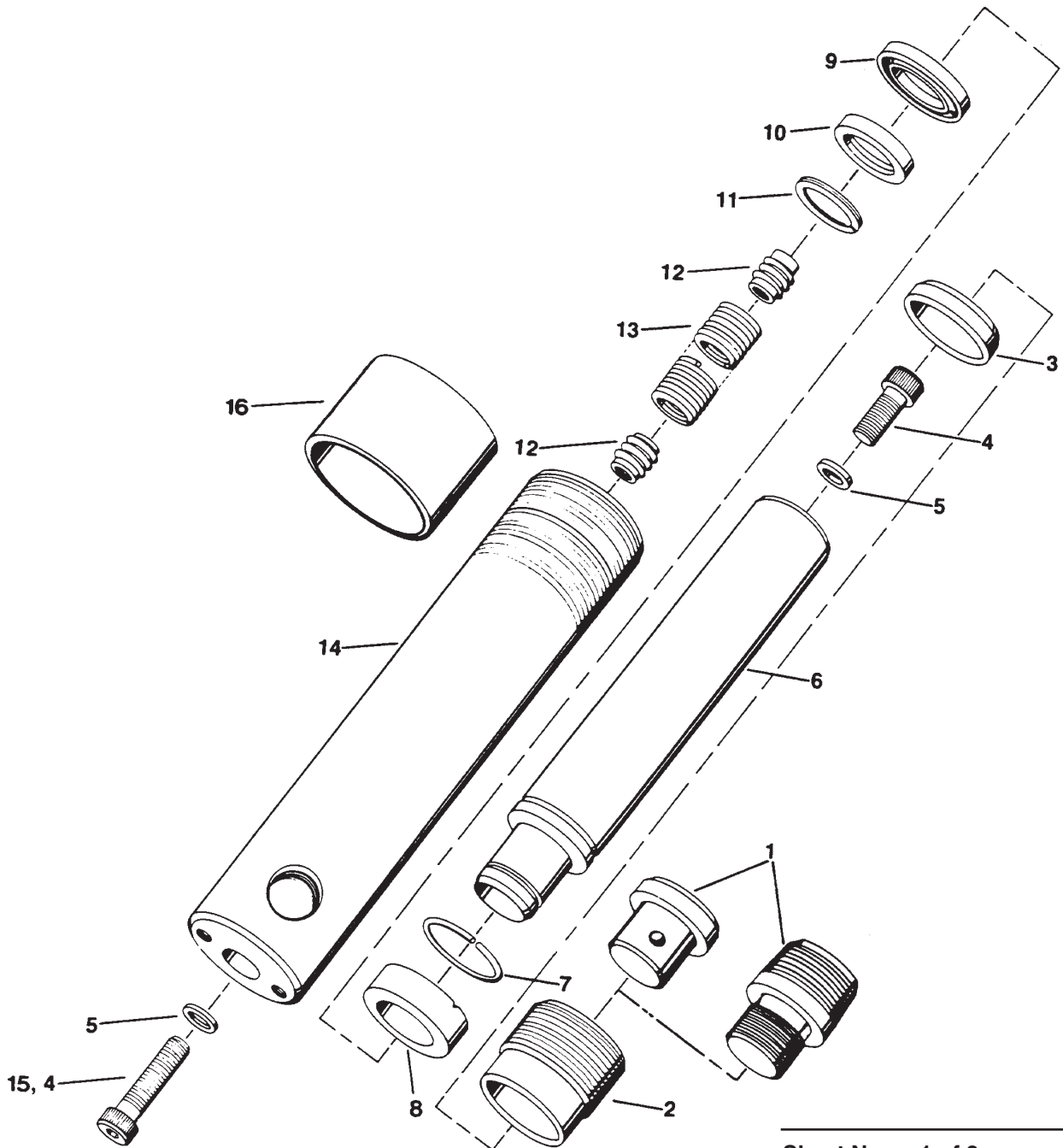


149-2881	C104C-PFAFF	C108CK	C1010C-POULAN
89200-51	C104C-VIC	C108CM	C1010C-PTP
420006	C106C	C108C-ADV	C1012C-TAL
C101C	C106CK	C108C-AUTOP	C1010C-TUX
C101C-PFAFF	C106C-ABC	C108C-MILL	C1012C
C102C	C106C-IMT	C108C-PFAFF	C1012C-ABC
C102C-FUTURE	C106C-PFAFF	C1010C	C1012C-PAC
C102C-IMT	C106C-PI	C1010CK	C1014C
C102C-ISO	C106C-PT	C1010C-ABC	C1014C-ABC
C102C-PFAFF	C106C-SAUER	C1010C-CMI	C1014CK
C104C	C106C-SAUERNT	C1010C-IMT	C1014C-PAC
C104C-EMP	C106C-TAL	C1010C-PAC	C1014C-PFAFF
C104C-GRIN	C108C	C1010C-PFAFF	C1016C
			C1016C-BJ

**MODEL B**  
**SINGLE-ACTING, SPRING RETURN**  
**HYDRAULIC CYLINDER**  
Max. Capacity: 11.2 Ton (101,2 kN) at 10,000 PSI (700 Bar)



# Parts List, Form No. 101465, Back sheet 1 of 3

Item No.	Part No.	No. Req'd	Description
1	<b>201362</b>	1	Thread Adapter Assembly (Not included with 89200-51, C108C-MILL, C104C-EMP, C1010C-PTP, C104C-VIC, C106C-ABC, C108C-ADV, C1010C-ABC, C108C-AUTOP, C1012C-ABC, C101C-PFAFF, C1014C-ABC, C106C-TAL, C1012C-TAL, C1014C-PAC, C1012C-PAC & C1010C-PAC)
	<b>202179</b>	1	Thread Adapter (Torque to 100 ft. lbs.; For C1010C-POULAN and C1016C-BJ)
	<b>251513</b>	1	Thread Adapter (For C106C-SAUER & C106C-SAUERNT)
	<b>351030</b>	1	Retainer Nut (Torque to 90/100 in. lbs.; For C101C, C102C-ISO, C102C, C104C, 420006, C104C-GRIN, C101C-PFAFF, C102C-IMT, C102C-PFAFF, C104C-EMP, C104C-PFAFF, C102C-FUTURE, 149-2881 & C104C-VIC)
2	<b>351051</b>	1	Retainer Nut (Torque to 90/100 in. lbs.; For C106C, C106CK, C108C, C108CK, C1010C, C1010C-CMI, C1012C, C1014C, C108CM, 89200-51, C106C-SAUER, C1010C-POULAN, C1010CK, C108C-ADV, C106C-IMT, C1010C-IMT, C108C-MILL, C106C-ABC, C1012C-ABC, C1014CK, C1010C-ABC, C1010C-TUX, C108C-AUTOP, C1010C-PTP, C106C-PFAFF, C1014C-ABC, C106C-TAL, C1012C-TAL, C106C-PI, C108C-PFAFF, C1014C-PFAFF, C1014C-PAC, C1012C-PAC, C1010C-PAC, C1016C-BJ, C106C-SAUERNT, C1010C-PFAFF & C1016C)
	<b>3</b>	†* <b>201429</b>	1
4	<b>10006</b>	1	Soc. Hd. Cap Screw (1/4-20 x 5/8 Lg.; Toque to 90/110 in. lbs.; For C104C, C106C, C106CK, C108C, C108CK, C108CM, C1010C, C1010C-CMI, C1012C, 89200-51, C108C-MILL, C106C-SAUER, C108C-ADV, C106C-ABC, C1010CK, C1010C-ABC, C104C-PFAFF, C106C-IMT, C1010C-IMT, C104C-EMP, C1010C-POULAN, C1010C-TUX, C104C-GRIN, C1012C-ABC, C1010-PTP, C106C-PI, C108C-AUTOP, C106C-PFAFF, C106C-TAL, C1012C-TAL, C108C-PFAFF, C1012C-PAC, C1010C-PAC, 149-2881, C104C-VIC, C106C-SAUERNT & C1010C-PFAFF)
	<b>10008</b>	2	Soc. Hd. Cap Screw (1/4-20 x 3/4 Lg.; Torque to 90/110 in. lbs.; For C102C, 420006, C102C-ISO, C102C-PFAFF, C102C-IMT & C102C-FUTURE)
	<b>17203</b>	2	Soc. Hd. Cap Screw (1/4-20 x 7/8 Lg.; Torque to 50/70 in. lbs.; For C101C & C101C-PFAFF)
	<b>16064</b>	2	Soc. Hd. Cap Screw (1/4-20 x 3-1/2 Lg.; Torque to 90/110 in. lbs.; For C1014C, C1014C-ABC, C1014CK, C1014C-PFAFF, C1014C-PAC, C1016C-BJ & C1016C)
	<b>5</b>	†* <b>10442</b>	2
6	<b>420975</b>	1	Piston Rod (For C101C & C101C-PFAFF)
	<b>420984</b>	1	Piston Rod (For C102C, C106C-ISO, C102C-PFAFF, C102C-IMT & C102C-FUTURE)
	<b>420993</b>	1	Piston Rod (For C104C, C104C-GRIN, C104C-EMP, C104C-PFAFF, 149-2881 & C104C-VIC)
	<b>421003</b>	1	Piston Rod (For C106C, C106CK, 89200-51, C106C-SAUER, C106C-ABC, C106C-PFAFF, C106C-TAL, C106C-IMT, C106C-PI & C106C-SAUERNT)
	<b>421100</b>	1	Piston Rod (For C108C, C108CK, C108CM, C108C-ADV, C108C-AUTOP, C108C-MILL & C108C-PFAFF)
	<b>421073</b>	1	Piston Rod (For C1010C, C1010C-CMI, C1010C-ABC, C1010CK, C1010C-IMT, C108C-MILL, C1010C-TUX, C1010C-POULAN, C1010C-PTP, C1010C-PAC & C1010C-PFAFF)
	<b>421119</b>	1	Piston Rod (For C1014C, C1014C-ABC, C1014CK, C1014C-PFAFF & C1014C-PAC)
	<b>421114</b>	1	Piston Rod (For 420006)
	<b>421118</b>	1	Piston Rod (For C1012C, C1012C-ABC, C1012C-TAL & C1012C-PAC)
	<b>421578</b>	1	Piston Rod (For C1016C-BJ)
	<b>421710</b>	1	Piston Rod (For C1016C)
	7	---	1

Item No.	Part No.	No. Req'd	Description
8	201363	1	Piston Head (For C101C, C102C, C104C, 201581-C4, C104C-GRIN, 420006, C102C-ISO, C102C-IMT, C101C-PFAFF, C102C-PFAFF, C104C-EMP, C104C-PFAFF, C102C-FUTURE, 149-2881 & C104C-VIC)
	201364	1	Piston Head (Assemble with groove toward shoulder.; For C106C, C106CK, C108C, C108CK, C1010C, C1010C-CMI, C1012C, C1014C, C108CM, 89200-51, C106C-ABC, C1014CK, C106C-SAUER, C108C-ADV, C108C-MILL, C1010C-TUX, C1010CK, C106C-IMT, C1010C-IMT, C1012C-ABC, C1010C-POULAN, C1010C-ABC, C1010C-PTP, C108C-AUTOP, C106C-PFAFF, C1014C-ABC, C106C-TAL, C1012C-TAL, C106C-PI, C108C-PFAFF, C1014C-PFAFF, C1014C-PAC, C1012C-PAC, C1010C-PAC, C1016C-BJ, C106C-SAUERNT, C1010C-PFAFF & C1016C)
9	*16067	1	U-cup Piston Seal
	†205704	1	U-cup
10	201359	1	Slip Retainer
11	*16076	1	Retaining Ring
12	201360	2	Spring Retainer (For all except C101C, C102C-PFAFF & C101C-PFAFF)
	204414	2	Spring Retainer (For C101C & C101C-PFAFF)
13	204249	1	Extension Spring (For C101C, C102C-PFAFF & C101C-PFAFF)
	201430	1	Extension Spring (For C102C, 420006, C102C-ISO, C102C-IMT & C102C-FUTURE)
	204250	1	Extension Spring (For C104C, C104C-GRIN, C104C-IMT, C104C-PFAFF, 149-2881 & C104C-VIC)
	201431	1	Extension Spring (For C106C, C106CK, 89200-51, C106C-TAL, C106C-SAUER, C106C-ABC, C106C-PFAFF, C106C-EMP, C106C-PI & C106C-SAUERNT)
	207695	1	Extension Spring (For C108C, C108CK, C108CM, C108C-ADV, C108C-ABC, C108C-AUTOP & C108C-PFAFF)
	201432	1	Extension Spring (For C1010C, C1010C-CMI, C101C-TUX, C1010C-POULAN, C1010C-IMT, C1010C-ABC, C1010CK, C1010C-PTP, C1010C-PAC & C1010C-PFAFF)
	207708	1	Extension Spring (For C1014C, C1014CK, C1012C, C1012C-ABC, C1014C-ABC, C1012C-TAL, C1014C-PFAFF, C1012C-PAC & C1014C-PAC)
	251106	1	Extension Spring (For C1016C-BJ & C1016C)
14	43112	1	Cylinder Body (For C101C & C101C-PFAFF)
	42158	1	Cylinder Body (For C102C, C102C-ISO, C102C-PFAFF, C102C-IMT & C102C-FUTURE)
	43113	1	Cylinder Body (For C104C, 201581-C4, C104C-GRIN, C104C-EMP, C104C-PFAFF, 149-2881 & C104C-VIC)
	42160	1	Cylinder Body (For C106C, C106CK, 89200-51, C106C-TAL, C106C-ABC, C106C-PFAFF, C106C-IMT & C106C-PI)
	44812	1	Cylinder Body (For C108C, C108CK, C108C-ADV, C108C-MILL, C108C-AUTOP, C108C-IMT & C108C-PFAFF)
	42163	1	Cylinder Body (For C1010C, C1010C-CMI, C1010C-TUX, C101CK, C1010C-IMT, C1010C-ABC, C1010C-POULAN, C1010C-PTP, C1010C-PAC & C1010C-PFAFF)
	44816	1	Cylinder Body (For C1014C, C1014C-ABC, C1014CK, C1014C-PFAFF & C1014C-PAC)
	420008	1	Cylinder Body (For 420006)
	420222	1	Cylinder Body (For C1012C, C1012C-ABC, C1012C-TAL & C1012C-PAC)
	420700	1	Cylinder Body (For C108CM)
	420835	1	Cylinder Body (For C106C-SAUER))
	421579	1	Cylinder Body (For C1016C-BJ & C1016C))
	421698	1	Cylinder Body (For C106C-SAUERNT))
	42160-PT	1	Cylinder Body (For C106C-PT)

} See diagram  
on sheet 3 of 3.

# Parts List, Form No. 101465, Back sheet 2 of 3

Item No.	Part No.	No. Req'd	Description
15	10020	1	Soc. Hd. Cap Screw (1/4-20 x 1-1/4 Lg.; Torque to 90/110 in. lbs.; For C104C, C104C-GRIN, C104C-EMP, C104C-PFAFF, 149-2881 & C104C-VIC)
	16064	1	Soc. Hd. Cap Screw (1/4-20 x 3-1/2 Lg.; Torque to 90/110 in. lbs.; For C106C, C106CK, C108C, C108CK, C1010C, C1010-CMI, C106C-SAUER, C1012C, C108CM, 89200-51, C106C-ABC, C108C-ADV, C106C-IMT, C108C-MILL, C1010C-ABC, C1010C-TUX, C1010C-IMT, C1010C-POULAN, C1010C-PTP, C1010CK, C106C-TAL, C1012C-ABC, C108C-AUTOP, C106C-PFAFF, C1012C-TAL, C106C-PI, C108C-PFAFF, C1014C, C1014C-ABC, C1014C-CK, C1014C-PAC, C1012C-PAC, C1010C-PAC, C1016C-BJ, C106C-SAUERNT, C1010C-PFAFF & C1016C)
16	36146	1	Thread Protector (Plastic - Not included on 89200-51, C104C-EMP, 420006, C106C-ABC, C1012C-ABC, C1010C-ABC, C108C-AUTOP, C1014C-ABC, C1012C-TAL, C1014C-PAC, C1012C-PAC & C1010C-PAC)

## PARTS INCLUDED BUT NOT SHOWN

420976	1	Full Coverage Decal (For C101C)
420986	1	Full Coverage Decal (For C102C & C102C-IMT)
420995	1	Full Coverage Decal (For C104C & 149-2881)
421002	1	Full Coverage Decal (For C106C, C106CK, C106C-ABC, C106C-TAL, C106C-IMT & C106C-PI)
421015	1	Full Coverage Decal (For C1010C, C1010C-CMI, C1010C-ABC, C1010CK, C1010C-IMT & C1010C-PAC)
421014	1	Full Coverage Decal (For C108C, C108C-MILL, C108C-AUTOP, & C108CK)
421017	1	Full Coverage Decal (For C1014C, C1014C-ABC, C1014CK & C1014C-PAC)
421016	1	Full Coverage Decal (For C1012C, C1012C-ABC, C1012C-TAL & C1012C-PAC)
351259	1	Full Coverage Decal (For C104C-GRIN)
*203908	1	Warning Decal (Shipped loose with C108C-ADV, C1010C-POULAN, C1010C-PTP & C104C-VIC)
203908-CE	1	Warning Decal (For C108C-PFAFF)
351064-CE	1	Warning Decal (For C106C-SAUER & C106C-SAUERNT)
212064-CE	1	Warning Decal (For C101C-PFAFF, C106C-PFAFF, C102C-PFAFF, C104C-PFAFF & C1010C-PFAFF)
251928	1	Trade Name Decal (For C101C-PFAFF)
252008	1	Trade Name Decal (For C102C-PFAFF)
252115	1	Trade Name Decal (For C106C-PFAFF)
9796	1	Ram Half Coupler w/ Dust Cap (For all models except C1010C-ABC, 89200-51, C1010C-CMI, C1010C-TUX, C1010CK, C1010C-PTP, C1010C-POULAN, C108C-MILL, C108C-AUTOP, C101C-PFAFF, C1014C-ABC, C106C-TAL, 420006, C1014C-PAC, C1012C-PAC, C1010C-PAC & C104C-VIC)
211061	1	Plug (For C108C-ADV, C108C-MILL & C104C-EMP)
†19526	1	O-ring (1" x 3/4 x 1/8; for coupler)
†206554	1	U-cup Backup Washer
†205724	1	Decal (Viton)
350547	1	Handle (For C106CK, C108CK, C1010CK, & C1014CK)
250884	1 ft.	Strapping (For C106CK, C108CK, C1010CK, & C1014CK)
250881	1	Tensioner Plate (For C106CK, C108CK, C1010CK, & C1014CK)
251035	1	Soc. Set Screw (For C106CK, C108CK, C1010CK, & C1014CK)
251451	1	Warning Decal (For C104C-EMP; Shipped loose)
251616	1	Quick Coupler Plug (For C102C-IMT, C106C-IMT, & C1010C-IMT)

Note: Removed full coverage decal #422048 for C104C-VIC at last revision(s) made to this form.

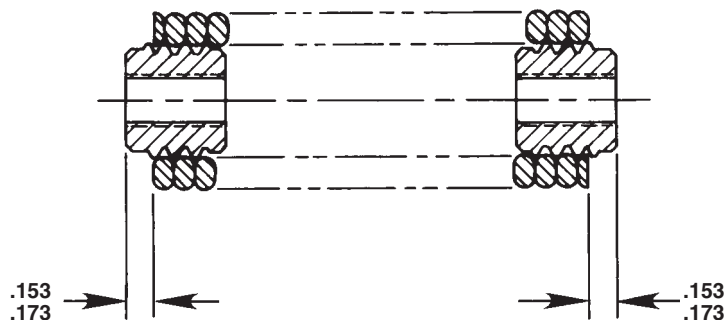
Item No.	Part No.	No. Req'd	Description
	9682	1	Straight Fitting (For C102C-IMT, C106C-IMT, & C1010C-IMT)
	11127	1	Pressure Plug (For C1012C-ABC, C1010C-ABC, 89200-51, C1010C-TUX, C1010C-POULAN, C1010-PTP, C106C-TAL, C106C-ABC, C108C-AUTOP, C1014C-ABC, C1012C-TAL, C106C-PI, C1014C-PAC, C1012C-PAC, C1010C-PAC & C104C-VIC)
	252182	1	Trade Name Decal (For C101C-PFAFF & C102C-PFAFF)
	252183	1	Trade Name Decal (For C106C-PFAFF, C104C-PFAFF, C108C-PFAFF, C1014C-PFAFF & C1010C-PFAFF)
	212064	1	Warning Decal (For C102C-FUTURE)
	202173	1	Trade Name Decal (For C1016C-BJ)
	10136	1	Set Screw (1/4-20 X 1/4 Lg.; For C1016C-BJ)
	59114	1	Trade Name Power Team Decal (For C1016C)
	421696	1	Full Coverage Decal (For C102C-FUTURE)

Part numbers marked with an asterisk (\*) are contained in Standard Repair Kit No. 300116.

Part numbers marked with a dagger (†) are contained in Viton Seal Kit No. 300211

## SPRING & RETAINER ASSEMBLY

The spring must not extend beyond the threads of the spring retainer on either end. Stretch, clean and lubricate the spring before assembly.



Refer to any operating instructions included with this product for detailed information about operation, testing, disassembly, reassembly, and preventive maintenance.

Items found in this parts list have been carefully tested and selected. **Therefore: Use only genuine Power Team replacement parts!**

Additional questions can be directed to our Technical Services Department.