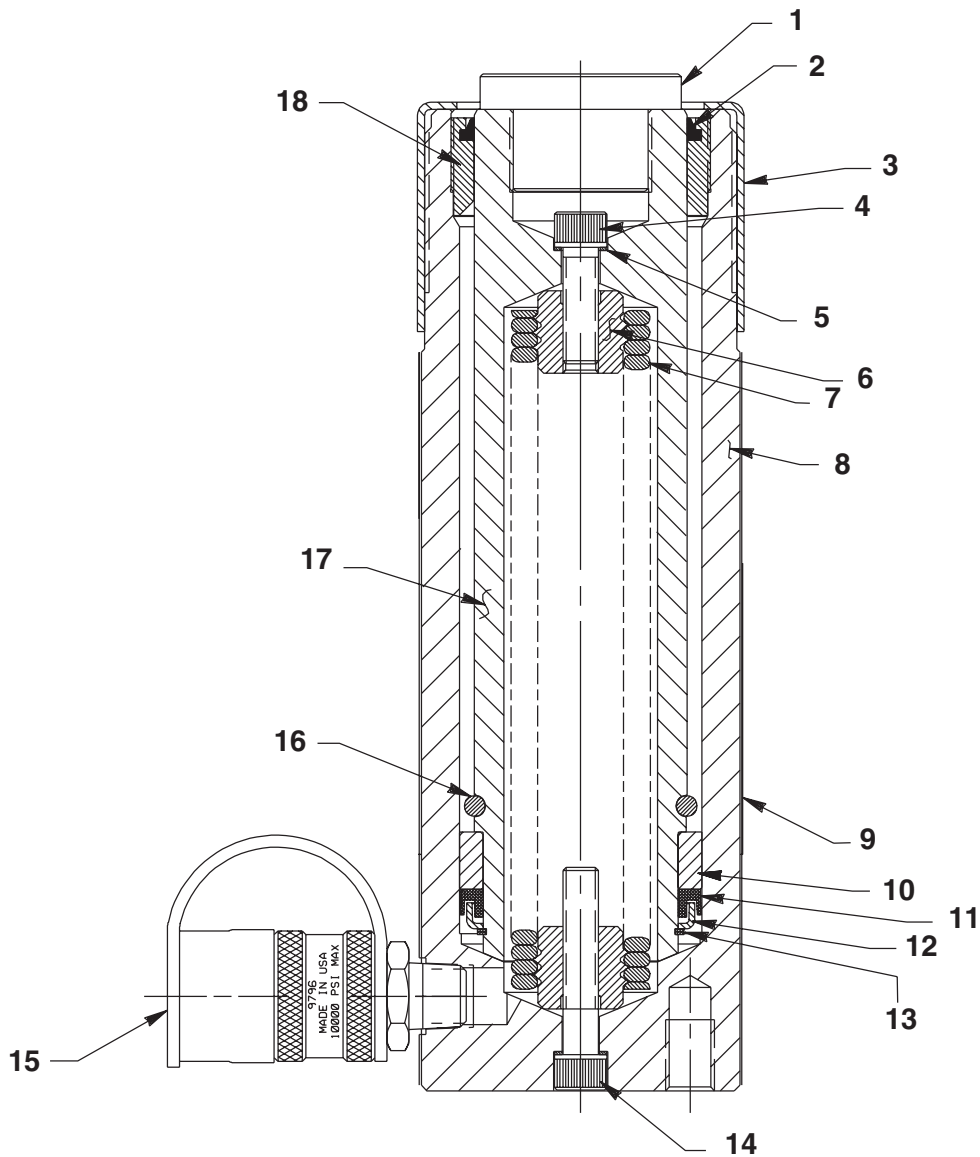


Parts List for:

58331	C254C-JWI	C256C-MIT	C2512C
C251C	C254C-PFAFF	C256C-PFAFF	C2514C
C251C-PFAFF	C254-EMP	C258C	C2514C-CHIEF
C252C	C256C	C258CK	C2514C-MBI
C252CK	C256CK	C258C-MBI	C2514C-OWENS
C252C-PFAFF	C256CN	C258C-PFAFF	C2514C-PFAFF
C254C	C256C-EM	C258-S	C2514C-POULAN
C254CK	C256C-ABC	C2510C	
C254C-EM	C256C-MBI	C2510C-PFAFF	

MODEL B
SINGLE-ACTING, SPRING RETURN
HYDRAULIC CYLINDER
Max. Capacity: 25.8 Ton (233,0 kN) at 10,000 PSI (700 Bar)



Note: Shaded areas reflect last revision(s) made to this form.

Sheet No. 1 of 2

Parts List, Form No. 101486, Back sheet 1 of 2

Item No.	Part No.	No. Req'd	Description
1	201412	1	Thread Adapter (For all except C256C-MBI, C2514C-OWENS, C2514C-MBI, C256C-MIT, C2514C-CHIEF & C254-EMP)
2	202180	1	Thread Adapter (For C2514C-POULAN)
	*16085	1	Rod Wiper
	†205716	1	Rod Wiper
3	36147	1	Thread Protector (Plastic; All models except C2514C-OWENS & C254-EMP)
4	10053	1	Soc. Hd. Cap Screw (3/8-16 x 1-1/4 Lg.; Torque to 400/425 in. lbs. For 58331, C256C, C256C-MBI, C258C, C2510C, C256C-PFAFF, C2512C, C2514C, C254C, C254CK, C256CK, C258CK, C254C-JWI, C2514C-MBI, C256CN, C256C-ABC, C2514C-OWENS, C256C-EM, C2514C-PFAFF, C2514C-POULAN, C254C-PFAFF, C258C-PFAFF, C256C-MIT, C2510C-PFAFF, C2514C-CHIEF, C254-EMP & C258-S)
	10053	2	Soc. Hd. Cap Screw (3/8-16 x 1-1/4 Lg.; Torque to 400/425 in. lbs. For C251C, C252C, C252CK, C251C-PFAFF, C252C-PFAFF & C254C-EM)
5	*†12042	2	Copper Washer (9/16 x 3/8 x 1/32)
6	201417	2	Spring Retainer (See diagram on back sheet 2 of 2)
7	204453	1	Extension Spring (For C251C & C251C-PFAFF)
	204389	1	Extension Spring (For C252C, C252C-PFAFF & C252CK)
	204276	1	Extension Spring (For C254C, C254CK, C254C-EM, C254C-PFAFF, C254C-JWI & C254-EMP)
	201448	1	Extension Spring (For C256C, C256CK, C256C-MBI, C256CN, C256C-ABC, C256C-PFAFF, C256C-EM & C256C-MIT)
	212788	1	Extension Spring (For C258C, C258CK, C258C-MBI, C258C-PFAFF & C258-S)
	201449	1	Extension Spring (For C2510C & C2510C-PFAFF)
	250640	1	Extension Spring (For C2512C)
	201450	1	Extension Spring (For 58331, C2514C, C2514C-OWENS, C2514C-PFAFF, C2514C-POULAN, C2514C-MBI & C2514C-CHIEF)
8	51261	1	Cylinder Body (For C251C & C251C-PFAFF)
	51241	1	Cylinder Body (For C252C, C252C-PFAFF & C252CK)
	51213	1	Cylinder Body (For C254C, C254CK, C254C-PFAFF, C254C-JWI & C254-EMP)
	58080	1	Cylinder Body (For C254C-EM)
	50821	1	Cylinder Body (For C256C, C256CK, C256C-MBI, C256C-PFAFF, C256C-ABC & C256C-MIT)
	52746	1	Cylinder Body (For C258C, C258CK, C258C-MBI & C258C-PFAFF)
	50823	1	Cylinder Body (For C2510C & C2510C-PFAFF)
	58200	1	Cylinder Body (For C2512C)
	50825	1	Cylinder Body (For C2514C, C2514C-OWENS, C2514C-PFAFF, C2514C-POULAN, C2514C-MBI & C2514C-CHIEF)
	58325	1	Cylinder Body (For 58331)
	58554	1	Cylinder Body (For C256CN)
	58672	1	Cylinder Body (For C256C-EM)
	59214	1	Cylinder Body (For C258-S)
9	421018	1	Complete Coverage Decal (For C251C)
	421019	1	Complete Coverage Decal (For C252C & C252CK)
	421020	1	Complete Coverage Decal (For C254C & C254CK)
	421021	1	Complete Coverage Decal (For C256C, C256CK, C256C-ABC & C256C-MIT)
	421022	1	Complete Coverage Decal (For C258C & C258CK)
	421023	1	Complete Coverage Decal (For C2510C)
	421024	1	Complete Coverage Decal (For C2512C)
	421025	1	Complete Coverage Decal (For C2514C, C2514C-POULAN, C2514C-OWENS & C2514C-CHIEF)
	252184	1	Trade Name Decal (For C256C-PFAFF, C251C-PFAFF, C2514C-PFAFF, C252C-PFAFF, C254C-PFAFF, C258C-PFAFF, & C2510C-PFAFF)

Note: Shaded areas reflect last revision(s) made to this form.

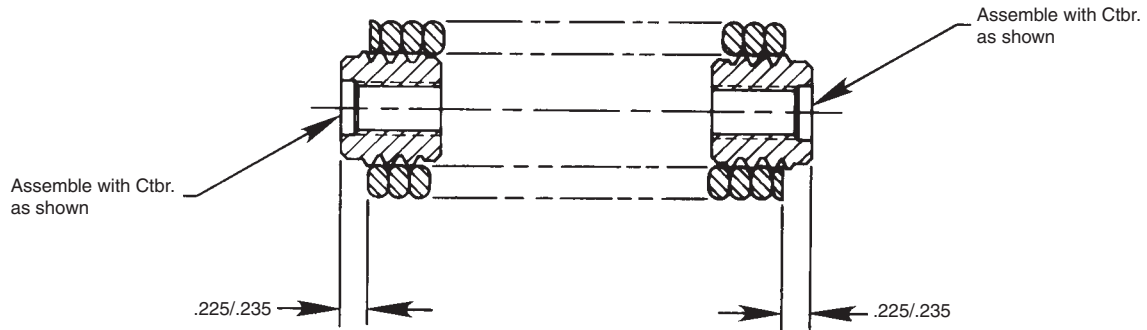
Continued -

Item No.	Part No.	No. Req'd	Description
10	201352	1	Piston Head (Assemble with groove toward shoulder.)
11	*15915	1	U-cup Piston Seal
	†205705	1	U-cup
12	201353	1	Slip Retainer
13	*16084	1	Retaining Ring
14	11531	1	Soc. Hd. Cap Screw (3/8-16 x 2" Lg.; Torque to 400/425 in. lbs. For 58331, C256C, C258C, C2510C, C2512C, C2514C, C256CK, C258CK, C256CN, C2514C-OWENS, C256C-ABC C256C-PFAFF, C2514C-PFAFF, C2514C-POULAN, C256C-EM, C258C-PFAFF, C256C-MIT, C2510C-PFAFF, C2514C-CHIEF & C258-S)
	10984	1	Soc. Hd. Cap Screw (3/8-16 UNC x 1 1/2" Lg.; Torque to 400/425 in. lbs. For C254C, C254CK, C254C-PFAFF, C254C-JWI & C254-EMP)
15	9796	1	Ram Half Coupler (For C251C, C252C, C252CK, C254C, C256C, C258C, C2510C, C2512C, 58331, C254CK, C256CK, C258CK, C2514C, C256CN, C256C-PFAFF, C251C-PFAFF, C2514C-PFAFF, C252C-PFAFF, C256C-ABC, C254-PFAFF, C254C-JWI, C256C-MIT, C2510C-PFAFF & C2514C-CHIEF)
16	201447	1	Retaining Ring
17	421026	1	Piston Rod (For 2R251S, C251C-PFAFF & C251C)
	421027	1	Piston Rod (For 2R252S, C252C, C252C-PFAFF & C252CK)
	421028	1	Piston Rod (For 2R254S, C254C, C254CK, C254C-PFAFF & C254C-JWI)
	421029	1	Piston Rod (For 2R256S, C256C, C256CK, C256C-MBI, C256CN, C256C-PFAFF, C256C-ABC & C256C-MIT)
	421030	1	Piston Rod (For C258C, C258CK, C258C-PFAFF & C258-S)
	421031	1	Piston Rod (For 2R2510S, C2510C & C2510C-PFAFF)
	421032	1	Piston Rod (For C2512C)
	421033	1	Piston Rod (For 58331, C2514C, C2514C-MBI, C2514C-PFAFF, C2514C-POULAN, C2514C-OWENS & C2514C-CHIEF)
	421042	1	Piston Rod (For C254C-EM)
	421105	1	Piston Rod (For C256C-EM)
	59148	1	Piston Rod (For C254-EMP)
18	351056	1	Retainer Nut (Torque to 90/100 ft. lbs.)
PARTS INCLUDED BUT NOT SHOWN			
	420655BK2	1	Lift Handle Assembly (For C252CK, C254CK, C256CK & C258CK only)
	211061	1	Pipe Plug (For C256C-MBI, C2514C-MBI & C258C-MBI)
	11127	1	Pipe Plug (For C2514C-OWENS, C2514C-POULAN, C254-EMP & C258-S)
	13272	1	Pipe Plug (For C256C-EM)
	202173	1	Decal (For C256CN)
	*203908	1	Warning Decal (For 58331, C254C-EM, C256C-PFAFF, C256C-EM, C254C-JWI & C254-EMP)
	212064	1	Warning Decal (For C251C-PFAFF & C252C-PFAFF)
	*37782	1	Warning Decal (For C2514C-PFAFF)
	251451	1	Warning Decal (For C256C-MBI, C2514C-MBI, C2514C-OWENS & C258C-MBI)
	†206556	1	U-cup Backup Washer
	†19526	1	O-ring (1" x 3/4 x 1/8; for coupler)
	†205724	1	Decal (Viton)
	203908-CE	1	Warning Decal (For C254C-PFAFF, C258C-PFAFF & C2510C-PFAFF)

Part numbers marked with an asterisk (*) are contained in Standard Repair Kit No. 300147.

Part numbers marked with a dagger (†) are contained in Viton Seal Kit No. 300213.

SPRING & RETAINER ASSEMBLY



**Spring must not extend beyond the threads of the spring retainer on either end.
Stretch, clean and lubricate before assembly.**

Refer to any operating instructions included with this product for detailed information about operation, testing, disassembly, reassembly, and preventive maintenance.

Items found in this parts list have been carefully tested and selected. **Therefore: Use only genuine Power Team replacement parts!**

Additional questions can be directed to our Technical Services Department.