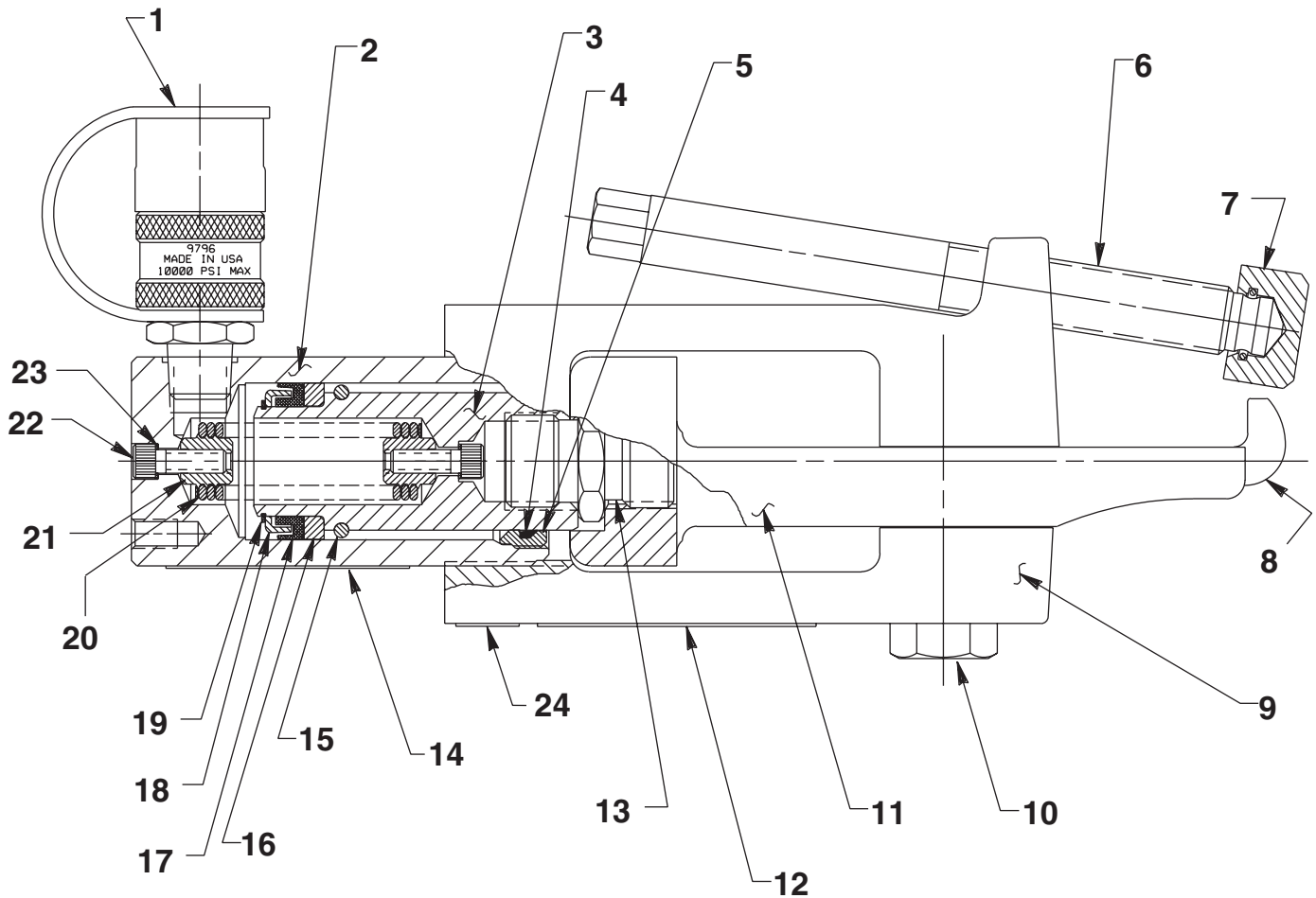


MODEL D BEAD BREAKER

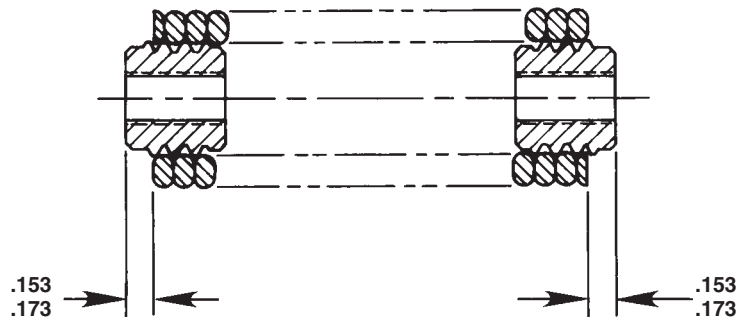
Max. Capacity: 11.2 Ton At 10,000 PSI



Item No.	Part No.	No. Req'd	Description
1	9796	1	Ram Half Coupler w/ Plastic Dust Cap
2	42158	1	Cylinder Body
3	421115	1	Piston Rod
4	*201429	1	Rod Wiper
5	351030	1	Retainer Nut (Torque to 90/100 in. lbs.)
6	34184	1	Hex Hd. Screw
7	28705FA	1	Foot Assembly
8	36958	1	Hook
9	41084	1	Frame
10	22469	1	Set Screw (3/4 Dia. x 2-1/4 Lg.; Torque to 50/60 in. lbs.)
11	58369	1	Clevis
12	208106	1	Warning Decal
13	251146	1	Threaded Adapter
14	202173	1	Trade Name Decal
15	201433	1	Retaining Ring
16	201363	1	Piston Head (Assemble with groove toward shoulder.)
17	*16067	1	U-cup
18	201359	1	Slip Retainer
19	*16076	1	Retaining Ring
20	201430	1	Extension Spring (See detail below)
21	201360	2	Spring Retainer
22	10008	2	Cap Screw (1/4-20 UNC X 3/4 Lg.; Torque to 90/110 in. lbs.)
23	*10442	2	Washer (3/8 X 1/4 X 1/32)
24	260095	1	Warning Decal

Part numbers marked with an asterisk (*) are contained in Repair Kit No. 300116.

SPRING & RETAINER ASSEMBLY



Refer to any operating instructions included with this product for detailed information about operation, testing, disassembly, reassembly, and preventive maintenance.

Items found in this parts list have been carefully tested and selected. **Therefore: Use only genuine Power Team replacement parts!**

Additional questions can be directed to one of our Technical Services Department.