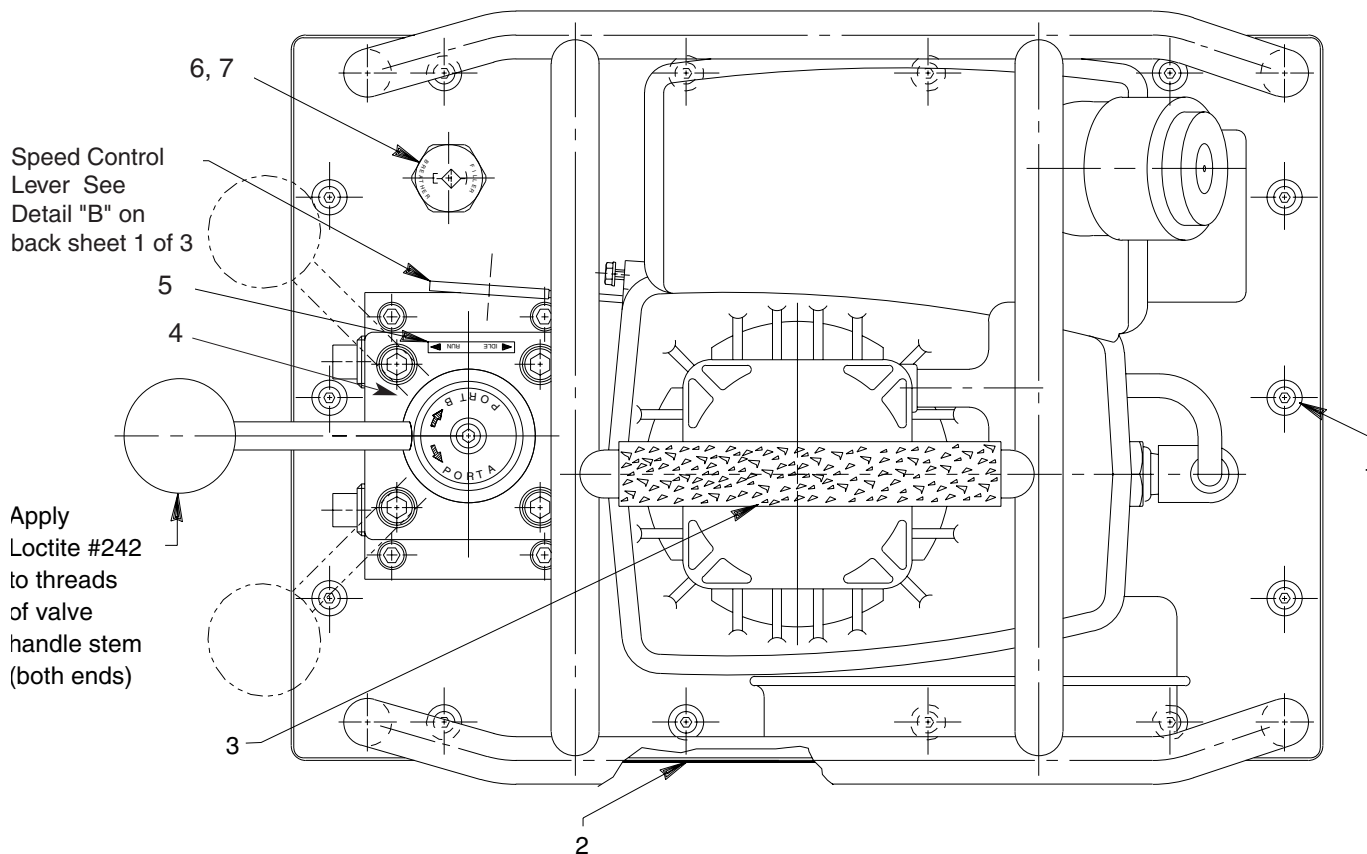


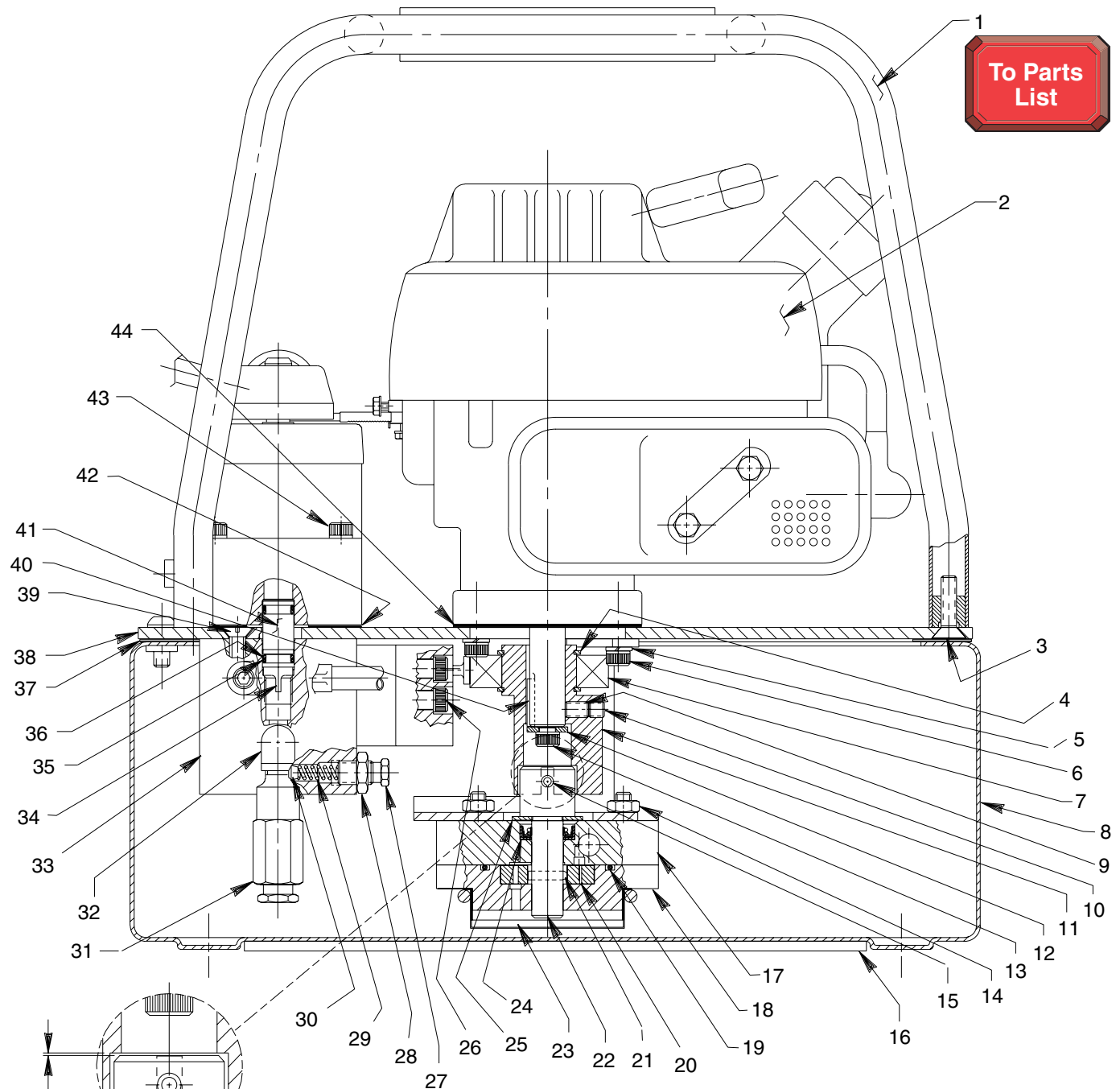
GAS HYDRAULIC PUMP

Max. Capacity: 10,000 PSI

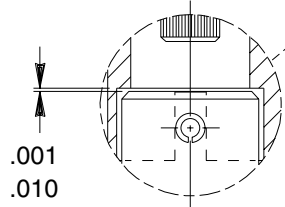


Item No.	Part No.	No. Req'd	Description
1	10177	14	Screw (1/4-20 X 3/4 Lg.; Torque to 60/80 in. lbs. Note Apply Loctite #242)
2	309221	2	Decal
3	250712	1	Handle Grip (Note: Cut-off approx. 1/2" of grip end and slit the grip end to end (one side only). Apply Pronto instant adhesive CA-6 to grip and roll cage bar. Assemble grip with slit on the under side of bar.
4	9520	1	Valve (For PG303; See Form No. 101377)
	9506	1	Valve (For PG304; See Form No. 100628)
5	250727	1	Decal
6	20937	1	Vent Cap
7	200415	1	Rubber Gasket

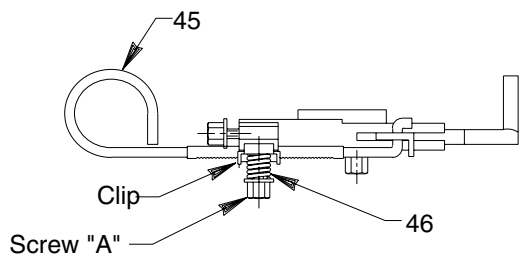
SIDE VIEW



To Parts List



.001
.010
Clearance
Required



Clip
Screw "A"

DETAIL "B"

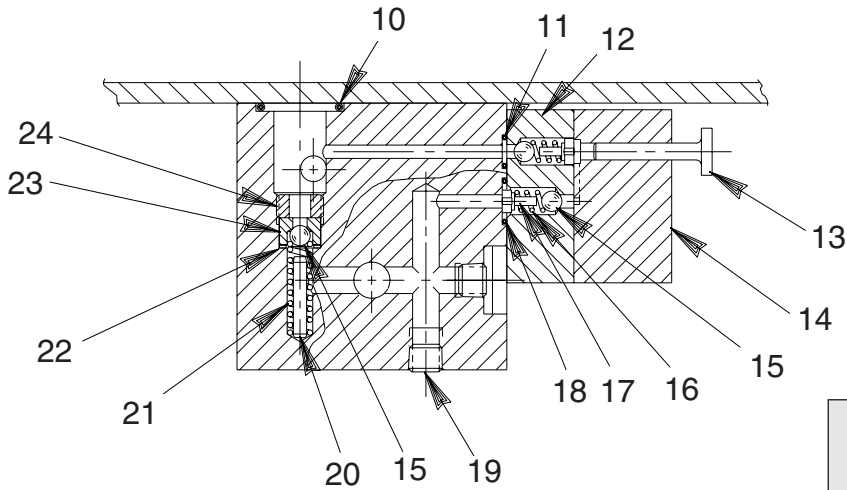
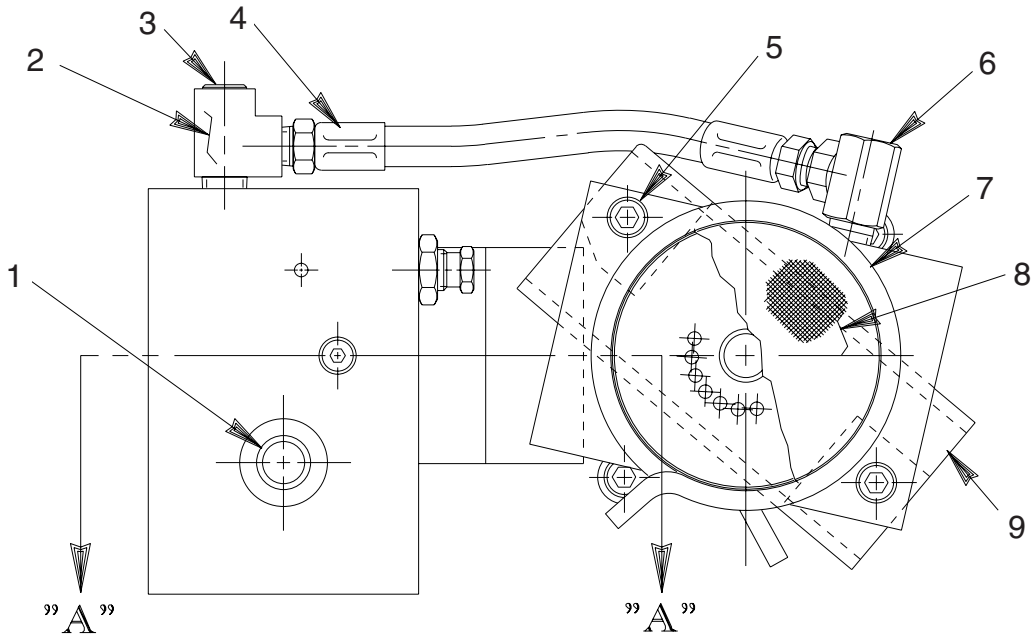
Speed Control Lever

1. Remove star washer, screw "A" and clip.
2. Install speed control lever (Item #45) as shown.
3. Reassemble star washer, clip, spring (Item #46), and screw "A" to control housing.
4. Tighten screw "A" until spring (Item #46) is solid; then back out screw "A" one full turn.

Item No.	Part No.	No. Req'd	Description
1	58231BK2	1	Roll Cage Frame
2	58232	1	Gasoline Engine
3	215757	4	Self-locking Flat Hd. Screw (1/4-20 UNC x 1" Lg.; Torque to 60/80 in. lbs.)
4	209798	2	Retaining Ring (1-3/16 Shaft)
5	10245	4	Washer (For 1/4 bolt)
6	10016	4	Cap Screw (1/4-20 UNC X 1" Lg; Torque to 100/120 in. lbs.)
7	209805	1	Ball Bearing
8	64241OR9	1	Reservoir
9	10136	1	Set Screw (Torque to 60/80 in. lbs.)
10	10519	1	Set Screw (1/4-20 UNC X 3/8 Lg.; Torque to 60/80 in. lbs.)
11	420428	1	Eccentric
12	12719	1	Wrought Washer
13	10807	1	Cap Screw (1/4-20 UNC X 1/2 Lg.; Torque to 60/80 in. lbs.)
14	10199	2	Hex. Nut (1/4-20 UNC)
15	12298	1	Roll Pin
16	420427	1	Rubber Pad (Note: Apply 3M adhesive #08031 to bottom of reservoir and pad.)
17	64245	1	Gerotor Housing
18	64246	1	Gerotor Housing
19	10922	1	O-ring (2-1/8 X 1-15/16 X 3/32)
20	304826	1	Gerotor
21	209794	1	Gerotor Drive Pin
22	350424	1	Gerotor Shaft
23	21846	1	Filter Support
24	304830	1	Oil Seal
25	12595	1	Washer (1-1/8 X 1/2 X .077 Thk.)
26	10022	4	Screw (1/4-20 UNC X 1-1/2 Lg.; Torque to 180/200 in. lbs.)
27	29786	1	Valve Adjusting Screw
28	10386	1	Nut (3/8-24 UNF)
29	11221	1	Compression Spring (1/4 O.D. X 1" Lg.)
30	15156	1	Pin (Note: Install tapered end toward spring.)
31	21278	1	Relief Valve Assembly
32	13229	1	Street Elbow
33	64247	1	Check Body
34	209795	1	Outlet Ball Stop
35	10268	2	O-ring (1/2 X 3/8 X 1/16)
36	11863	2	Backup Washer (1/2 X 3/8 X 1/16)
37	420424	1	Reservoir Gasket (Note: Apply gasket sealer on both sides of reservoir gasket.)
38	64242BK2	1	Cover Plate
39	11529	2	Screw
40	250710	1	Key
41	202505	1	Bushing
42	200395	1	Gasket
43	11956	4	Soc. Hd. Cap Screw (1/4-20 UNC X 3" Lg.)
44	250711	1	Engine Gasket (Note: Apply gasket sealer on engine face and bottom side of gasket.)
45	250850	1	Lever
46	10446	1	Spring (19/64 O.D. x 7/16 Lg.)



BOTTOM VIEW AND SECTION A-A



SECTION A-A

Note: Shaded areas reflect last revision(s) made to this form.

Item No.	Part No.	No. Req'd	Description
1	250630	1	Drain Tube
2	19463	1	Tee
3	10427	1	Pressure Plug (1/8 NPTF)
4	304819	1	Hose Assembly
5	10854	2	Cap Screw (3/16 O.D. X 1" Lg.; Torque to 60/80 in lbs.)
6	14440	1	Straight Fitting
7	11461	1	Hose Clamp
8	21608	1	Filter
9	420426	1	Gerotor Housing Bracket
10	10273	1	O-ring (13/16 X 5/8 X 3/32)
11	10265	1	O-ring (5/16 X 3/16 X 1/16)
12	45559	1	Block
13	304820	1	Piston

Item No.	Part No.	No. Req'd	Description
14	45560	1	Block
15	12223	3	Ball (3/16 Dia.)
16	10445	2	Compression Spring (5/32 O.D. X 3/4 Lg.)
17	24549	2	Valve Guide
18	14763	1	O-ring (7/16 X 5/16 X 1/16)
19	15130	2	Plug (1/16 NPTF)
20	12149	1	Pin (1/8 Dia. X 3/4 Lg.)
21	16057	1	Compression Spring (3/16 O.D. X 1" Lg.)
22	10442	1	Washer (3/8 X 1/4 X 1/32)
23	209787	1	Replaceable Seat
24	209797	1	Hollow Lock Screw (Torque to 180/200 in. lbs.)

HYDRAULIC SCHEMATIC

