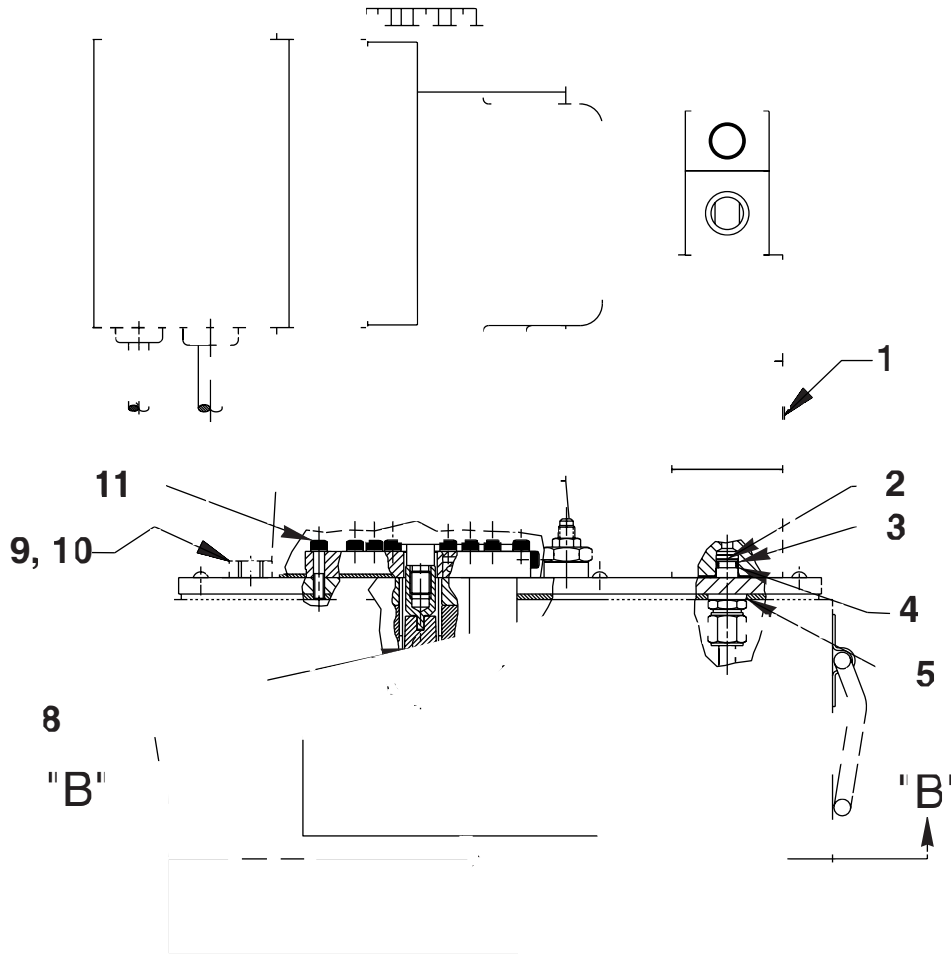


ELECTRIC HYDRAULIC DUAL PUMP

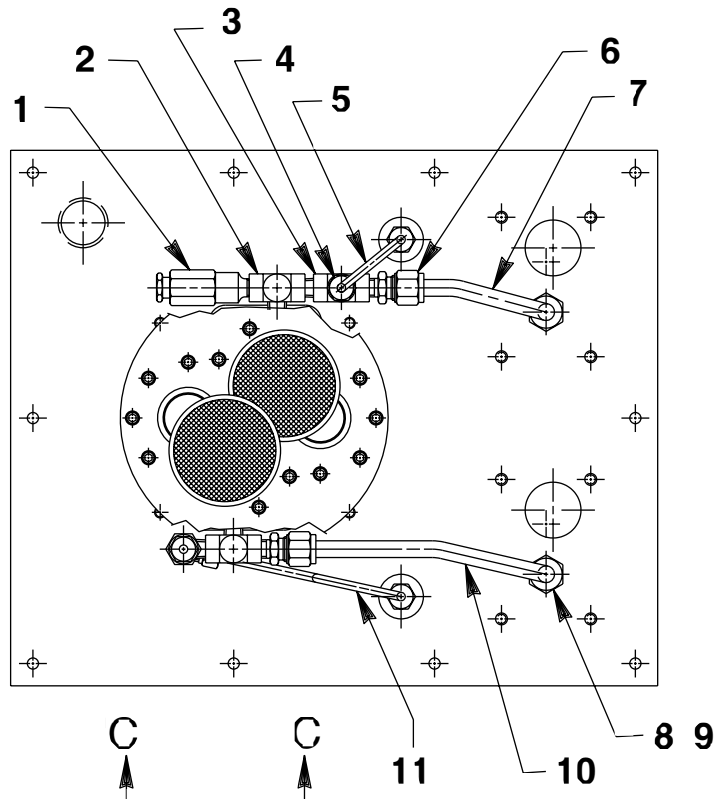


6 Basic Pump Assembly
See sheet 3 of 6

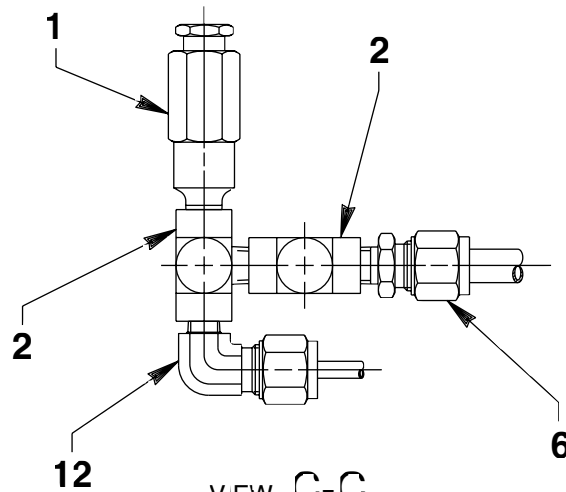
Item No.	Part No.	No. Req'd	Description
1	251958	2	Trade Name/Specifications Decal
2	20787	2	Valve Connector
3	10268	2	O-ring (1/2 X 3/8 X 1/16)
4	11863	2	Backup Washer (1/2 X 3/8 X 1/16)
5	21484	2	Spacer

Item No.	Part No.	No. Req'd	Description
6	309219	2	Decal
7	40137OR9	1	Reservoir
8	251206	1	Coupling
9	251689	1	Filler/Breather Cap
10	200415	1	O-ring (13/16 X 5/8 X 3/32)
11	10016	2	Cap Screw (1/4-20 UNC X 1" Lg.; Torque to 80/100 in. lbs.)

SECTIONS B-B & C-C



VIEW B-B

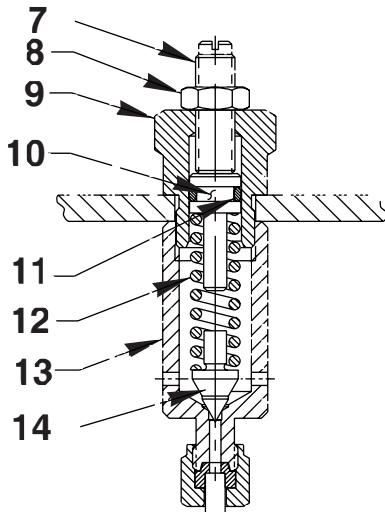
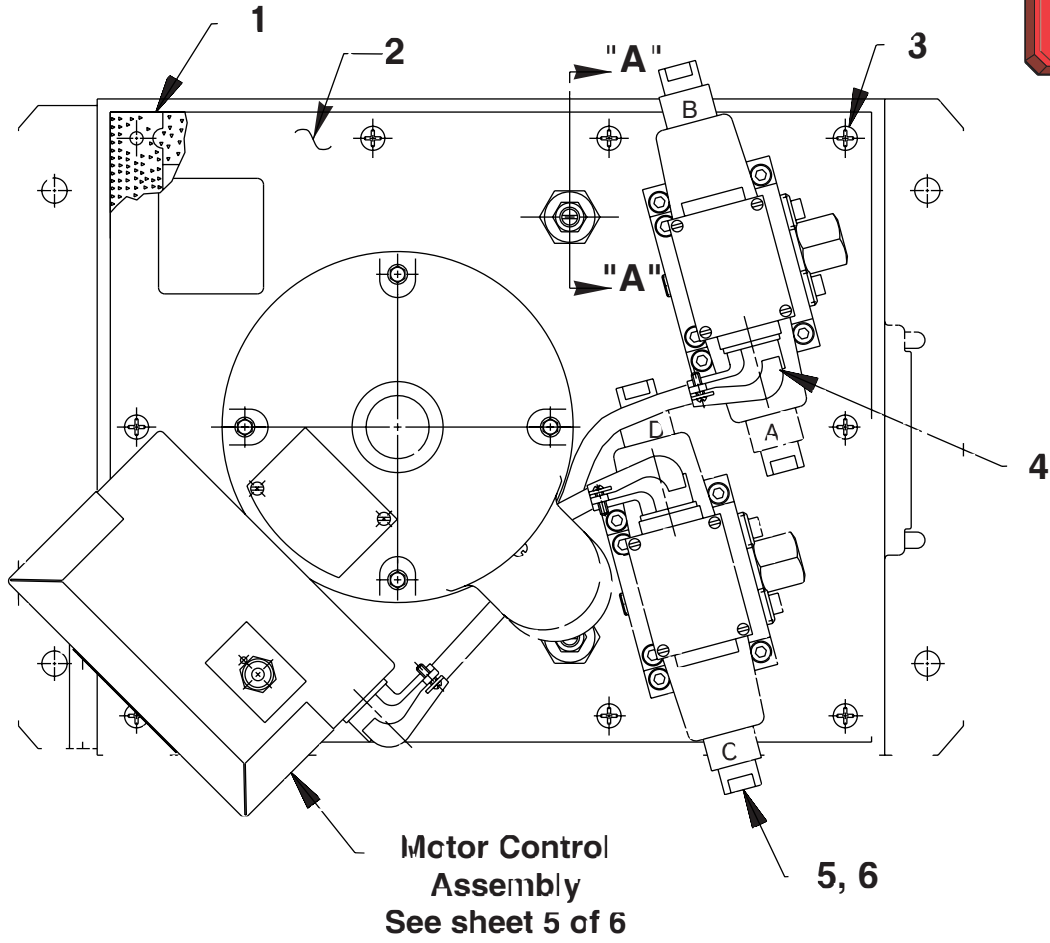


VIEW C-C
SCALE 1=1

Item No.	Part No.	No. Req'd	Description	Item No.	Part No.	No. Req'd	Description
1	21278	2	Relief Valve Assembly (Set at 10,100 / 10,700 PSI)	7	351337	1	Oil Line Tube
2	14538	3	Tee	8	10431	2	Tube Nut
3	18969	1	Pipe Tee	9	10430	2	Tube Sleeve
4	14844	1	Connector	10	351336	1	Oil Line Tube
5	250842	1	Oil Line Assembly	11	250843	1	Oil Line Assembly
6	12696	2	Connector	12	16177	1	Tube Elbow

To Parts List

TOP VIEW AND SECTION A-A



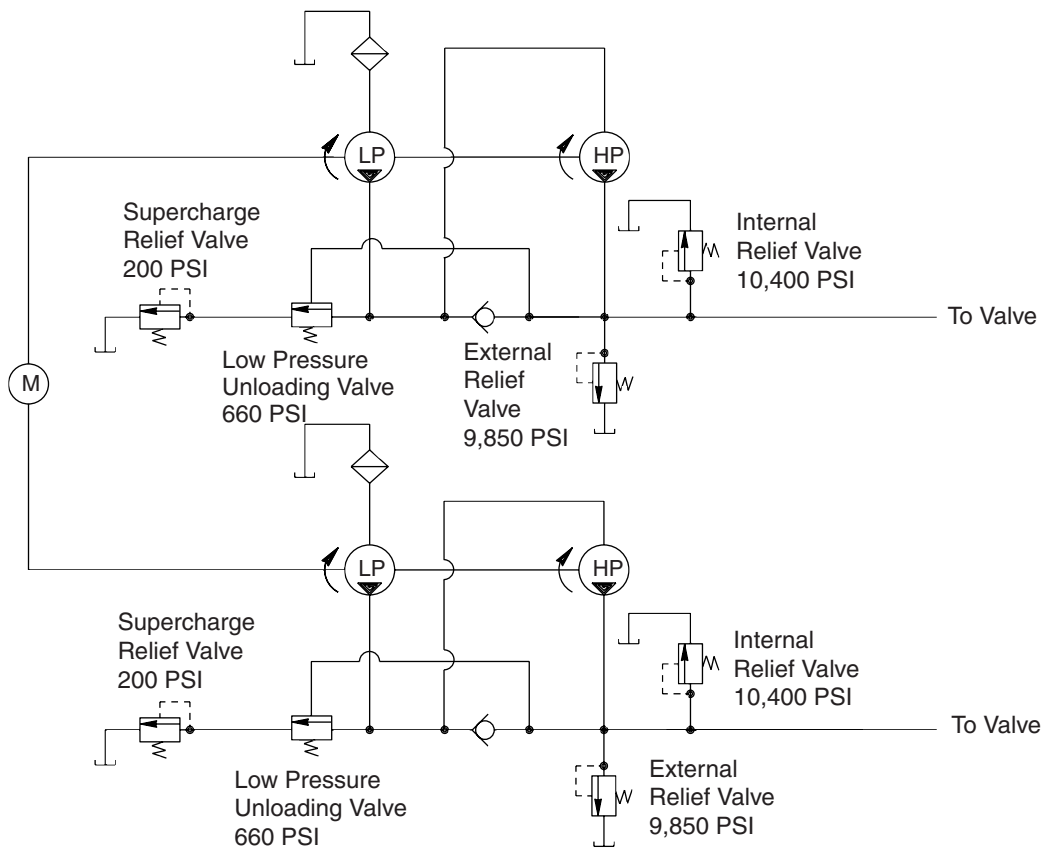
SECTION A-A

Parts List, Form No. 101739, Back sheet 2 of 6

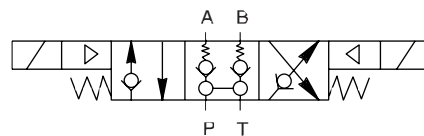
Item No.	Part No.	No. Req'd	Description	Item No.	Part No.	No. Req'd	Description
1	40490	1	Gasket	7	22362	2	Adjusting Screw
2	65333BK2	1	Cover Plate (See Form No. 100628)	8	10386	2	Nut
3	10177	10	Cap Screw (1/4-20 UNC X 3/4 Lg.)	9	21305	2	Valve Cap
4	11144	2	90° Elbow Connector	10	21306	2	Spring Guide
5	9512	1	4-Way Solenoid Valve (See Form No. 101653)	11	10268	2	O-ring (1/2 X 3/8 X 1/16)
6	16664-1	2	Solenoid Valve (110 V.; For PED254S)	12	10495	2	Compression Spring (1/2 O.D. X 1-5/8" Lg.)
	16664-2	2	Solenoid Valve (220 V.; For PED254S-220)	13	22361	2	Body
				14	21046	2	Valve Stem



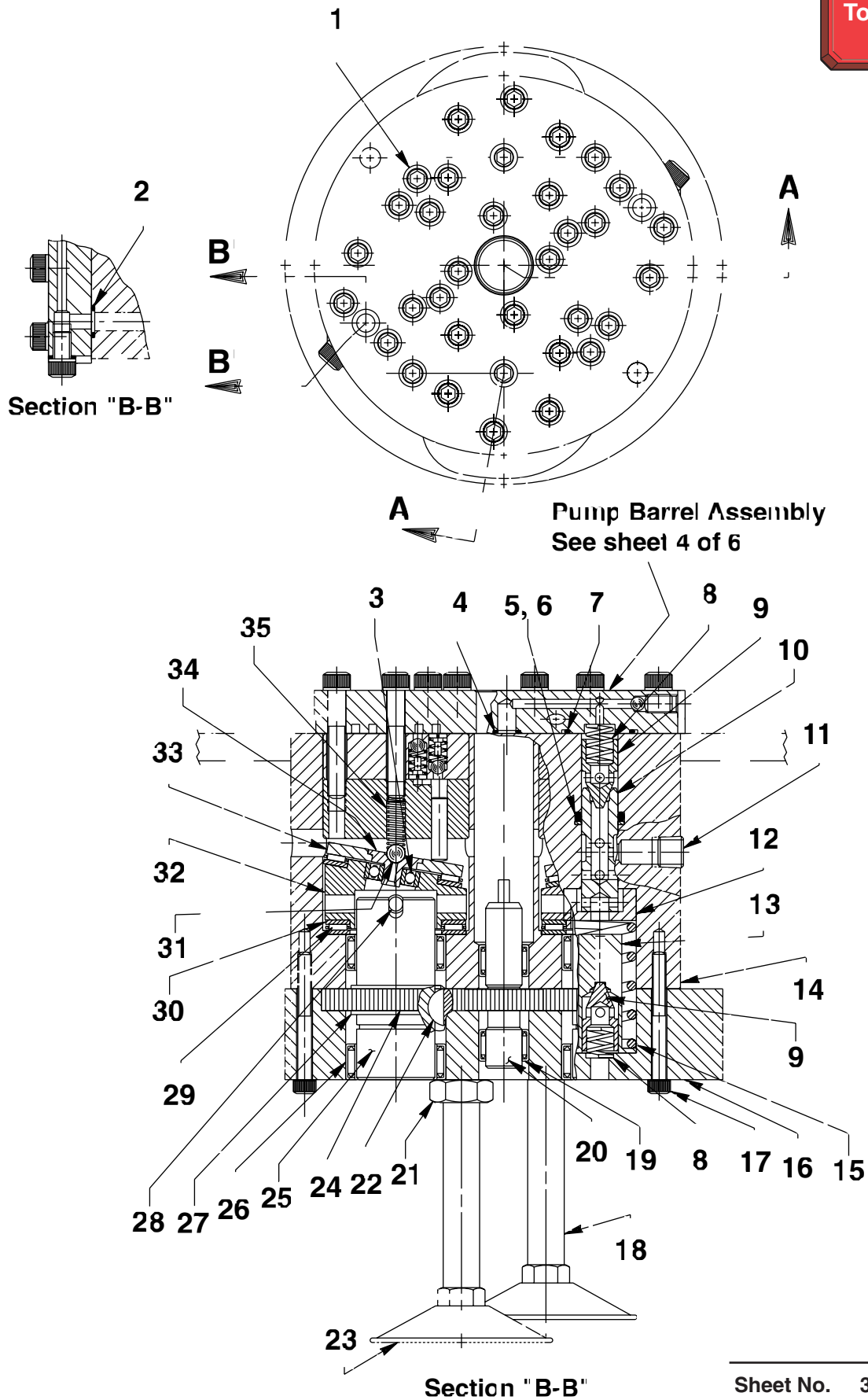
HYDRAULIC SCHEMATIC



9512 Valve



BASIC PUMP ASSEMBLY



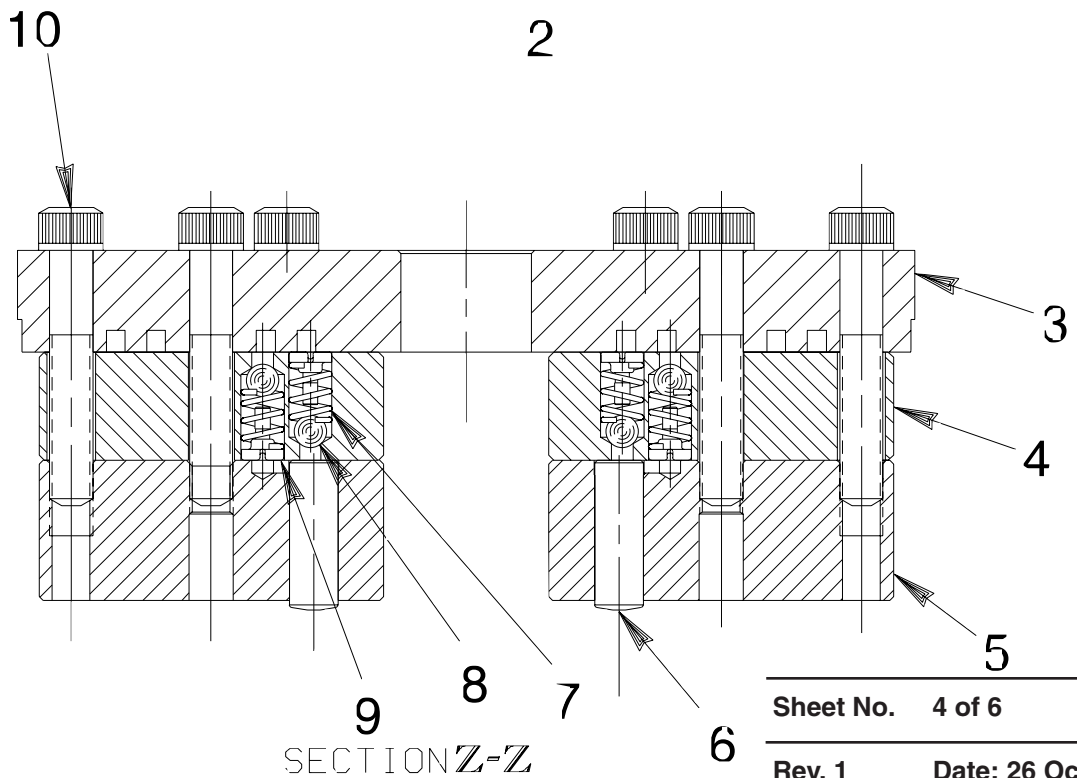
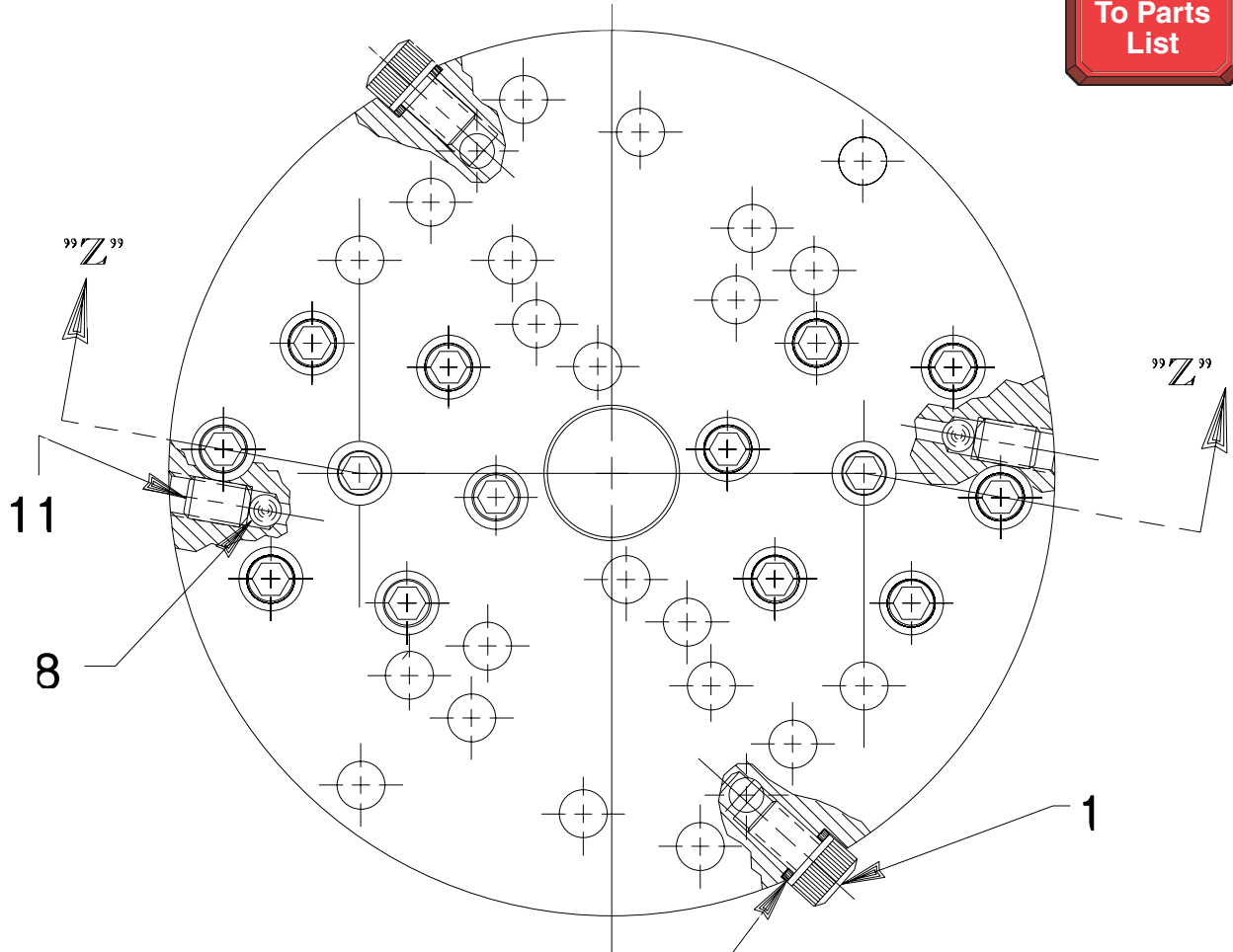
Parts List, Form No. 101739, Back sheet 3 of 6

Item No.	Part No.	No. Req'd	Description
1	10020	20	Cap Screw (1/4-20 UNC X 1-1/4 Lg.; Torque to 170/180 in. lbs.)
2	10267	2	O-ring (7/16 X 5/16 X 1/16)
3	11814	2	Ball Bearing
4	10266	2	O-ring (3/8 X 1/4 X 1/16)
5	10271	2	O-ring (11/16 X 1/2 X 3/32)
6	12389	2	Backup Washer (11/16 x 1/2 X 1/16)
7	10303	2	O-ring (7/8 X 3/4 X 1/16)
8	10425	4	Compression Spring (3/8 O.D. X 3/4 Lg.)
9	20771	4	Poppet
10	20849	2	Spool
11	10427	2	Pressure Plug (1/8 NPTF)
12	23255	2	Spring Guide
13	23256	2	Spring Guide
14	64060	1	Body
15	10426	2	CompressionSpring (1" O.D. X 1-13/16 Lg.)
16	64309	1	Pump End Plate
17	10001	18	Cap Screw (#10-32 UNF X 1-3/4 Lg.; Torque to 50/60 in. lbs.)
18	250851	2	Intake Tube (Note: Assemble short thread end into filter.)
19	11199	2	Needle Bearing
20	420430	1	Drive Gear
21	10390	1	Nut
22	11821	2	Woodruff Key
23	29682	2	Strainer
24	420429	2	Driver Gear
25	23556	2	Shaft
26	250631	4	Needle Bearing
27	11261	4	Retaining Ring
28	11955	2	Pin (1/4 Dia. X 1 3/4 Lg.)
29	11228	4	Thrust Bearing
30	11813	6	Bearing Race
31	10375	2	Steel Ball (1/4 dia.)
32	350603	2	Angle Plate
33	23548	2	Top Plate
34	23547	2	Bearing Top Plate
35	10361	2	Compression Spring (1/4 O.D. X 1" Lg.)

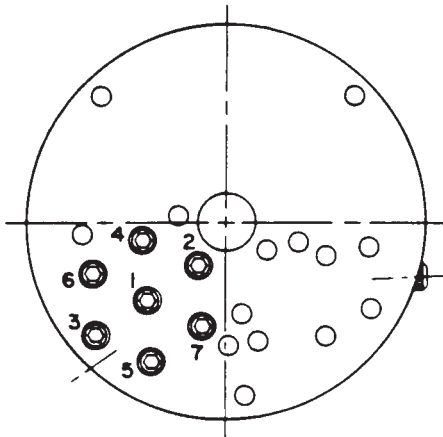


PUMP BARREL ASSEMBLY

To Parts List



Item No.	Part No.	No. Req'd	Description
1	10002	2	Cap Screw (1/4-20 UNC X 3/8 Lg.; Torque to 140/160 in. lbs.)
2	10442	2	Washer (3/8 X 1/4 X 1/32)
3	64061	1	Top Plate
4	40630	2	Valve Head
5	40629	2	Barrel
6	20775	6	Piston
7	10445	12	Compression Spring (5/32 O.D. X 3/4 Lg.)
8	12223	14	Ball (3/16 Dia.)
9	24549	12	Spring Guide
10	10023	14	Cap Screw (1/4-28 UNF X 1-1/2 Lg.; Torque to 170/180 in. lbs. See diagram below)
11	10519	2	Set Screw (1/4-20 UNC X 3/8 Lg.; Torque to 65/70 in. lbs.)

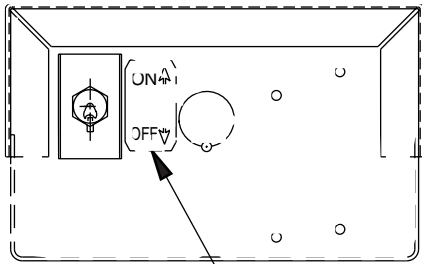


BOLT TIGHTENING SEQUENCE

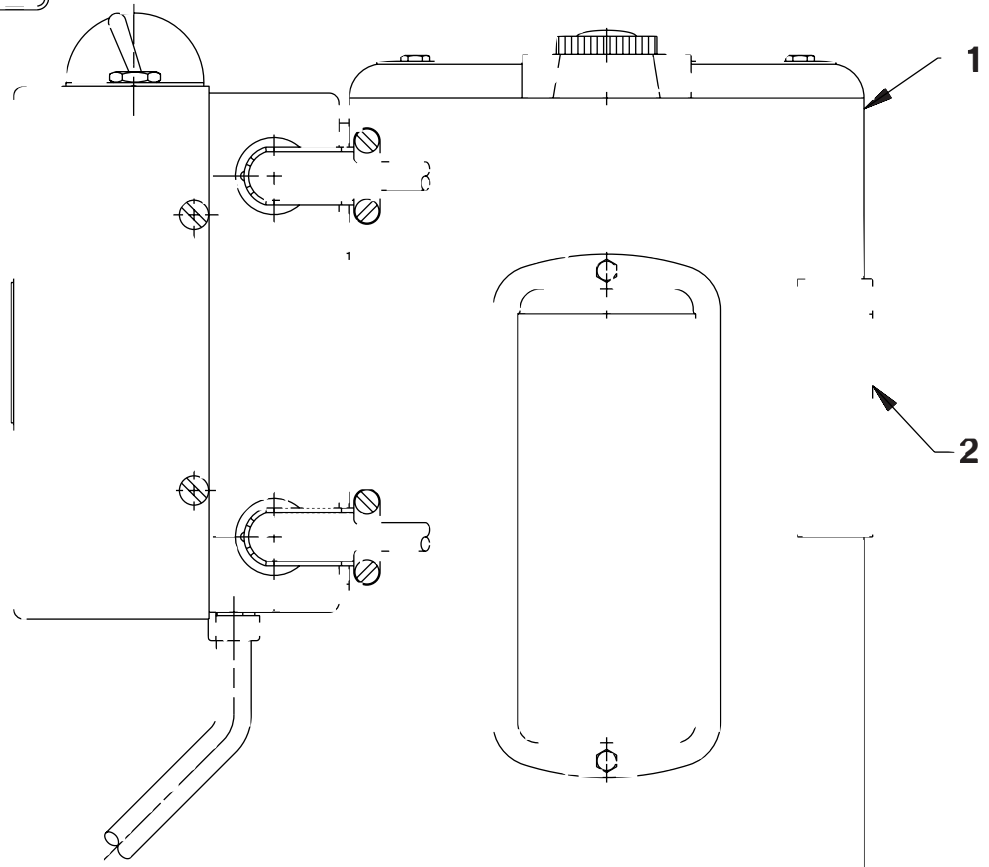
**NOTE: Assemble in sequence shown.
Lubricate under head and on threads.
Torque to 180 in. lbs.**

MOTOR ASSEMBLY

To Parts List

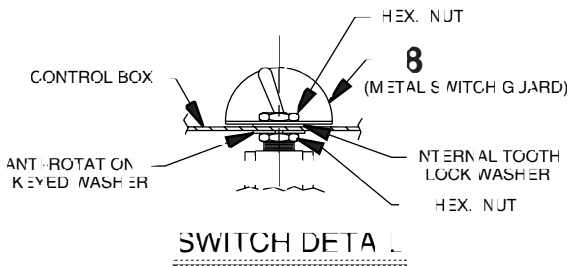


9



1

2



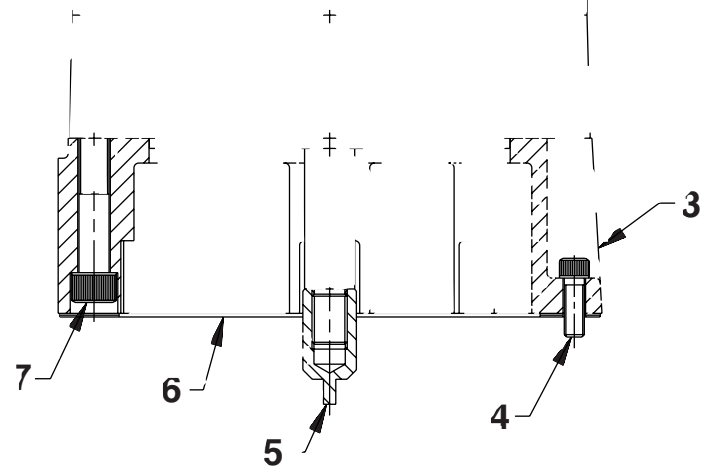
HEX. NUT

8 (METAL SWITCH GEAR)

CONTROL BOX

ANT-ROTATION KEYED WASHER

INTERNAL TOOTH LOCK WASHER
HEX. NUT



3

7

6

5

4

Item No.	Part No.	No. Req'd	Description
1	10865	1	Electric Motor (1-1/2 HP)
2	200188	1	Important Decal
3	40118BK2	1	Motor Base
4	10008	4	Cap Screw (1/4-20 UNC X 3/4 Lg.)
5	21274	1	Adapter
6	30650	1	Gasket

Item No.	Part No.	No. Req'd	Description
7	12866	4	Cap Screw (3/8-16 UNC X 2-1/4" Lg.)
8	352061	1	Switch Guard
9	205409	1	On/Off Decal



ELECTRICAL SCHEMATIC

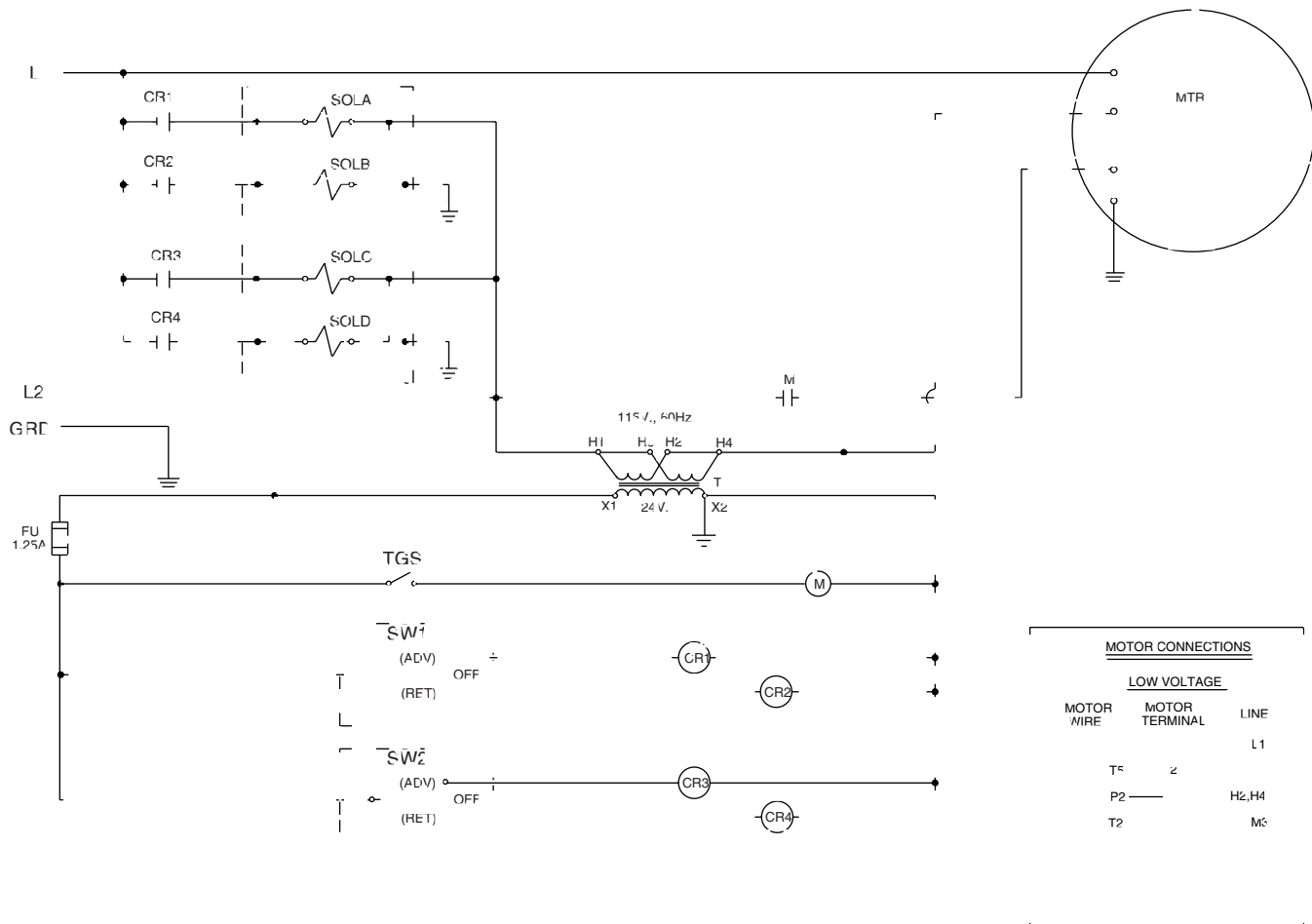
115 V., 60 Hz., Single Phase



To help avoid personal injury, all electrical work must be done by a qualified electrician.

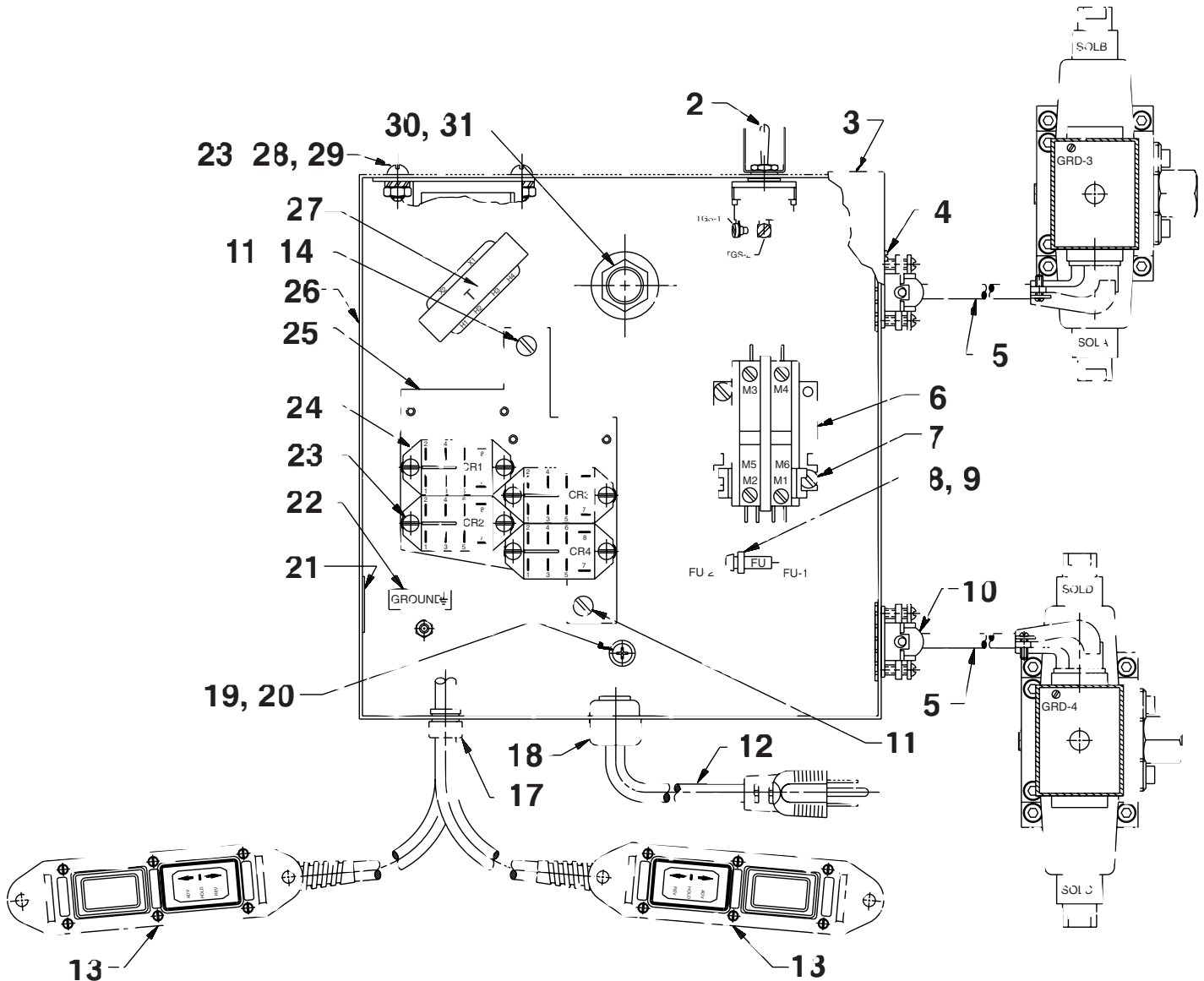
North American & International Color Codes

Conductors	North American	International
Line	Black.....	Brown
Neutral	White	Blue
Ground	Green	Green/Yellow

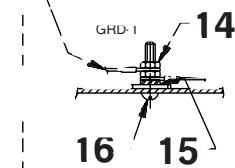


Note: Shaded areas reflect last revision(s) made to this form.

MOTOR CONTROL ASSEMBLY



POWER CORD GROUND
 (MUST BE SOLATED BETWEEN
 NUTS AND CAN BE AT
 TOP OR BOTTOM OF STACK)



NOTE: SERRATED LOCK WASHER
 MUST BE ADJACENT TO
 METAL BOX. MORE WASHERS
 CAN BE USED IF DESIRED.

Parts List, Form No. 101739, Back sheet 6 of 6

Item No.	Part No.	No. Req'd	Description	Item No.	Part No.	No. Req'd	Description
2	12301	1	Toggle Switch	17	15993	2	Strain Relief Bushing
3	43126BK2	1	Control Box Cover	18	210112	1	Strain Relief Bushing
4	14812	4	Tap Screw (#8-18 X 3/8 Lg.)	19	13532	1	Screw (#8-32 X 3/8 Lg.)
5	15565	1 ft.	Electrical Cable (16/4 SO)	20	206857	1	Plain Washer (Special)
6	420718-4	1	Contactor (2-pole)	21	250440	1	Warning Decal
7	11539	2	Machine Screw (10-24 X 1/4 Lg.)	22	205189	1	Ground Decal
8	250442	1	Fuse (1.25 amp)	23	10159	10	Screw (#6-32 UNC X 5/16 Lg.)
9	16887	1	Fuse Holder	24	251046	4	Relay
10	11144	2	90° Elbow Connector	25	421374	1	Mounting Plate
11	10164	2	Screw (#10-24 UNC X 3/8 Lg.)	26	51218BK2	1	Electrical Control Box
12	307440	1	Cord Set (115 V.; For PED254S)	27	305665	1	Transformer
	307439	8 ft.	Cable (12/3 SJTO; For PED254S-220)	28	15906	2	Washer
13	202778	2	Hand Switch (See Form No. 101644)	29	10195	2	Hex Nut
14	10197	2	Nut (#10-24 UNC)	30	11202	1	Nipple
15	11108	3	Lockwasher (#10 External Tooth)	31	18286	1	Washer
16	11856	1	Machine Screw (#10-24 X 1" Lg.)				



Note: Shaded areas reflect last revision(s) made to this form.

Refer to any operating instructions included with this product for detailed information about operation, testing, disassembly, reassembly, and preventive maintenance.

Items found in this parts list have been carefully tested and selected. **Therefore: Use only genuine Power Team replacement parts!**

Additional questions can be directed to our Technical Services Department.