

DOUBLE-ACTING HYDRAULIC CYLINDER

Max. Capacity: 103 Tons At 10,000 PSI

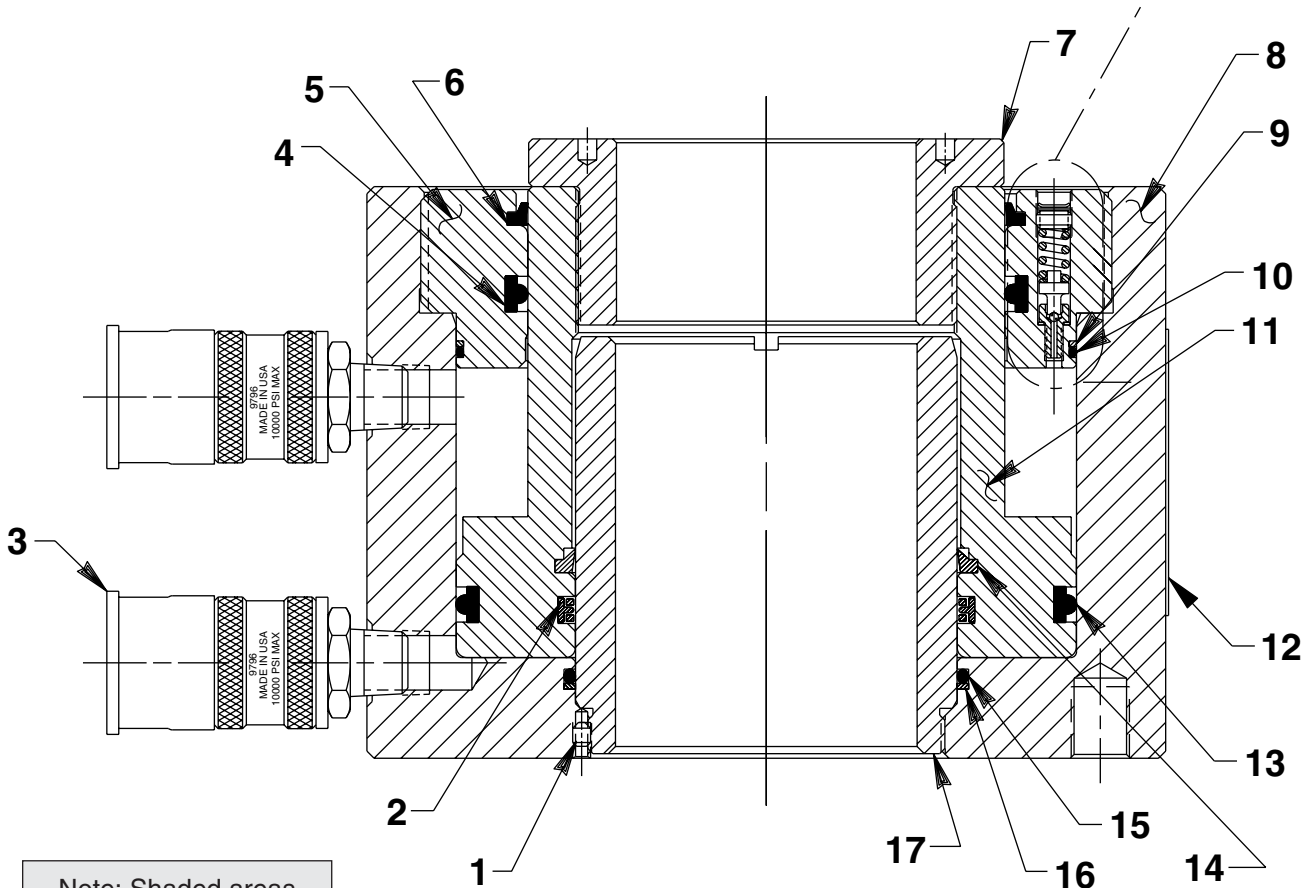


Double-acting
Cylinder
Relief Valve

See important



DANGER
statement
on back of
sheet 1 of 1



Note: Shaded areas reflect last revision(s) made to this form.

See **NOTE** on back of sheet 1 of 1

Sheet No. 1 of 1

Rev. 1 Date: 15 Mar. 1999



DANGER: To help avoid possible serious personal injury or death,

- In the event that the cylinder retract port is ever restricted or plugged, a double-acting cylinder relief valve will help prevent excessive pressure from building in the cylinder. **DO NOT** attempt to adjust or service this relief valve! If oil leakage is detected from this relief valve, discontinue use of the cylinder immediately and contact Power Team Technical Services. Only Power Team Authorized Hydraulic Service Centers should service this relief valve.

Item No.	Part No.	No. Req'd	Description
1	251482	1	Set Screw (10-24 X 1/4; See NOTE below)
2	*214496	1	T-Seal (4.38 X 4.00 X .28L)
3	9796	2	Quick Cylinder Half Coupler w/Dust Cap
4	*250180	1	T-Seal (5.50 X 5.00 X .36L)
5	58877	1	Retainer Nut
6	*250182	1	Rod Wiper (5.44 X 5.00 URE)
7	351382	1	Threaded Piston Cap
8	65383	1	Cylinder Body
9	*252400	1	Backup Washer (6.44 X 6.25)
10	*252401	1	O-ring (6.43 X 6.25)
11	58878	1	Piston Rod
12	252375	1	Trade Name Decal
13	*214495	1	T-Seal (6.50 X 6.00 X .38 L)
14	*214497	1	Rod Wiper (4.43 X 4.00 URE)
15	*12599	1	O-ring (4.25 X 4.00)
16	*19331	1	Backup Washer (4.25 X 4.00)
17	351381	1	Standpipe

PARTS INCLUDED BUT NOT SHOWN

*37782 1 Warning Decal



Part numbers marked with an asterisk (*) are contained in Repair Kit No. 300927.

NOTE: Cylinders built after 1-1-99 do not use this set screw to lock the standpipe and cylinder body together. Loctite 242 is used on the last 2-3 standpipe threads only.

Note: Shaded areas reflect last revision(s) made to this form.