

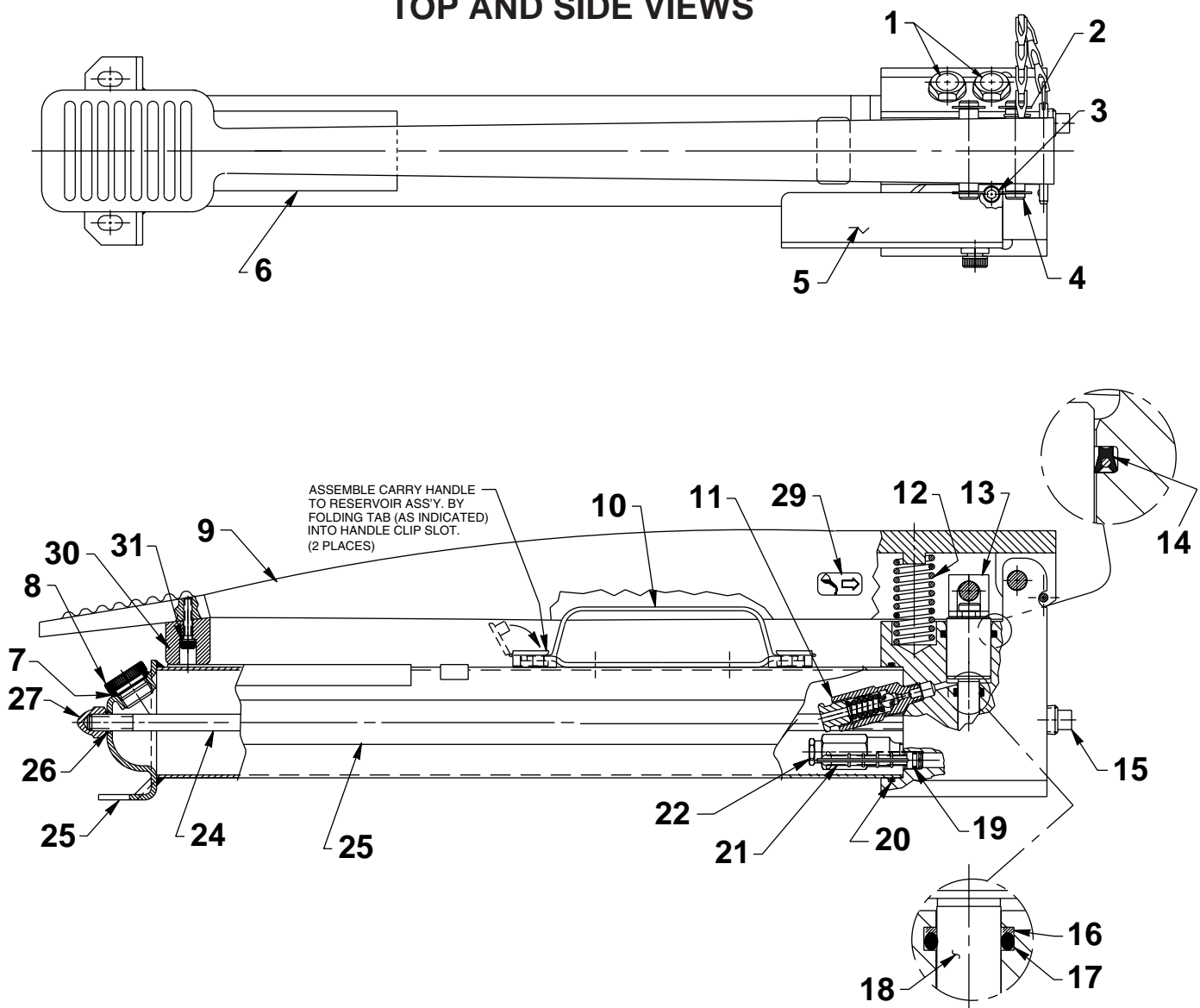
Parts List for:

P59F	P59FP
P59F-DICKE	P59FV
P59FE	P59FR
P59FN	P59F-IND

MODEL B
TWO-SPEED HYDRAULIC FOOT PUMP
325 PSI FIRST STAGE; 10,000 PSI SECOND STAGE



TOP AND SIDE VIEWS



Parts List, Form No. 101783, Back sheet 1 of 2

Item No.	Part No.	No. Req'd	Description
1	•†*215907	2	Decal (Do Not Remove)
2	211743	4	Retaining Ring (Expand the retaining ring to .440 ø max. during installation.)
3	10012	3	Soc. Hd. Cap Screw (1/4-20 X 7/8 Lg.; Torque to 90/100 in. lbs.)
4	251702	2	Pin
5	251716BK9	1	Release Valve Lever Assembly
6	•†*305977	1	Warning Decal (For all models except P59F-IND)
	305977-CE	1	Warning Decal (For P59F-IND)
7	10274	1	O-ring (.87 X .68; Nitrile)
	253597	1	O-ring (.87 X .68; Viton)
	253598	1	O-ring (.87 X .68; EPR)
8	351245	1	Filler Cap
9	64780OR9	1	Foot Lever (For all models except P59F-IND)
	64780GY16	1	Foot Lever (For P59F-IND)
10	58048	1	Carry Handle
11	48011	1	Relief Valve Assembly
	3000098	1	(for P59F-IND)
12	251712	1	Compression Spring
13	350923	1	Piston Clip
14	•†*250233	1	U-cup
15	11127	1	Pipe Plug (3/8 NPTF)
16	•*†213987	1	O-ring Backup Washer (Assemble with concave surface towards o-ring)
17	*10271	1	O-ring (11/16 X 1/2 X 3/32; Nitrile)
	†11445	1	O-ring (11/16 X 1/2 X 3/32; Viton)
	•19406	1	O-ring (11/16 X 1/2 X 3/32; EPR)
18	421412	1	Two-Speed Piston
19	*12557	1	O-ring (11/32 x 7/32 x 1/16; Nitrile)
	†18973	1	O-ring (11/32 x 7/32 x 1/16; Viton)
	•215375	1	O-ring (11/32 x 7/32 x 1/16; EPR)
20	*211495	1	O-ring (2-11/16 x 2-1/2 x 3/32; Nitrile)
	†213209	1	O-ring (2-11/16 x 2-1/2 x 3/32; Viton)
	•215369	1	O-ring (2-11/16 x 2-1/2 x 3/32; EPR)
21	•†*215075	1	Plug Filter
22	21278	1	High Pressure Relief Valve Assembly
	21278-80	1	High Pressure Relief 8,000 PSI

Item No.	Part No.	No. Req'd	Description
			(For P59F-DICKE)
23	360054	1	Trade Name Decal (For all models except P59F-IND)
24	252502	1	Tie Rod
25	351367	1	Reservoir Assembly
26	13943	1	O-ring (.50 X .37; Urethane)
	†19775	1	O-ring (.50 X .37; Viton)
	•17716	1	O-ring (.50 X .37; EPR)
27	10842	1	Hex Cap Nut (3/8-16; Torque to 90/110 in. lbs.; Fully engage acorn nut onto tie rod before torquing to body.)
28	250328	1	Attention Decal (For P59FE)
29	253234	1	Decal (Oil Pivot Pins)
30	250000	1	Recessed Bumper
31	12102	1	Soc. Hd. Screw (10-24 x 3/4; Apply Loctite #277 or equiv.; Note: End of screw should be flush with top of pedal.)

On pumps built after Dec. 13, 1999

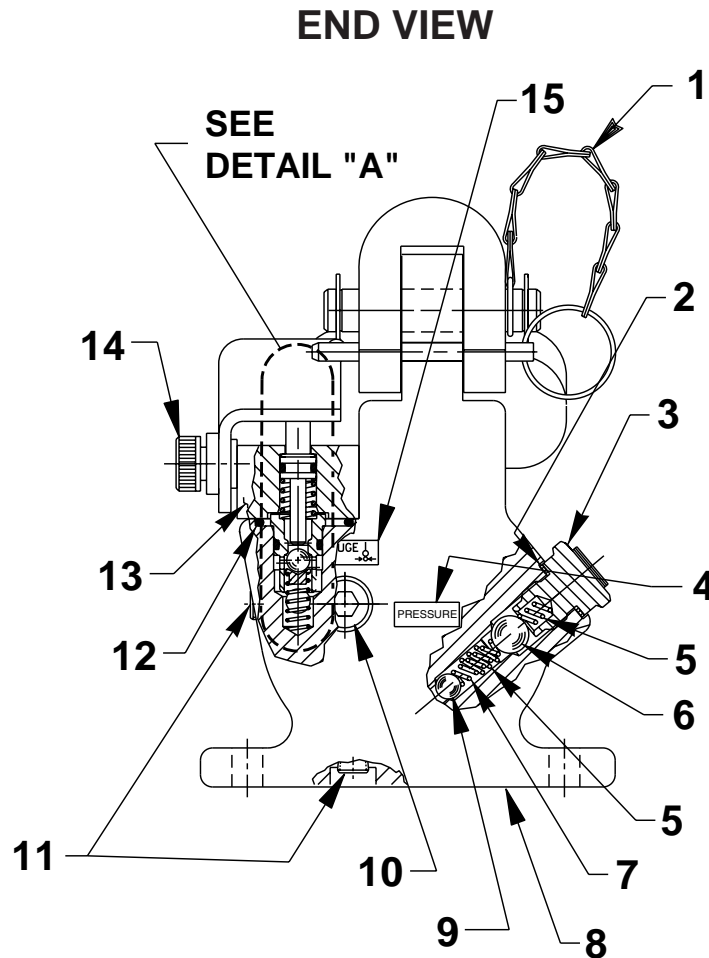
PARTS INCLUDED BUT NOT SHOWN

13229	1	Plug Fitting (90°; 1/8 NPTF)	For P59FP only
253626	1	Straight Fitting (1/8 NPTF; Groove towards ball)	
10423	1	Ball (9/32" Dia. Steel; Seat at assembly)	
215033	1	Tee Fitting (1/8 NPTF)	For P59F-IND only
351934-100	1	Relief Valve (Set at 9,600/10,000 PSI)	
350988	1	Decal (CE)	
360000	1	Plate	For P59F-IND only
209541	2	Plain Washer (.51 x .29)	
251488	2	Screw (1/4-20 x 5/8)	
12809	2	Locknut (1/4-20)	



Part numbers marked with an asterisk (*) are contained in Standard Repair Kit No. 300814.
 Part numbers marked with a dagger (†) are contained in Viton Seal Kit No. 300815.
 Part numbers marked with a bullet (•) are contained in EPR Seal Kit No. 300816.

Note: Shaded areas reflect last revision(s) made to this form.



Item No.	Part No.	No. Req'd	Description
1	251753	1	Pin & Chain Assembly
2	•†*14874	2	Copper Washer
3	351952	2	Valve Screw (Torque to 480/500 in. lbs.)
4	215301	1	Decal (Pressure; For all models except P59F-IND)
	252247	1	Decal (Pressure; For P59F-IND)
5	•†*10444	4	Compression Spring
6	•†*10378	2	Steel Ball (3/8 dia.)
7	•†*211797	2	Compression Spring
8	64710	1	Pump Body
	65671	1	Pump Body (For P59FR)
9	•†*10375	2	Steel Ball (1/4 dia.)
10	10479	1	Plug
	10909	1	Plug (For P59FR)
11	11084	1	Plug (Apply Loctite #242 or equivalent & torque to 80 in. lbs.)

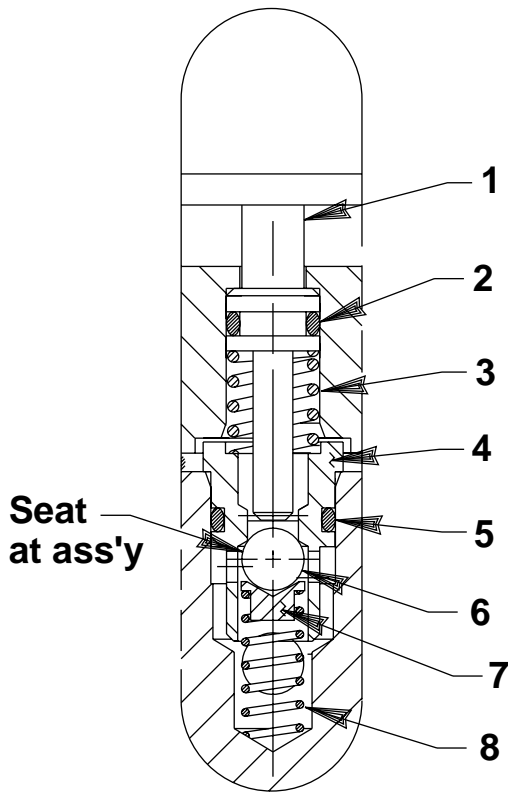
Item No.	Part No.	No. Req'd	Description
12	*10658	1	O-ring (1" X 13/16 X 3/32; Nitrile)
	†19002	1	O-ring (1" X 13/16 X 3/32; Viton)
	•215364	1	O-ring (1" X 13/16 X 3/32; EPR)
13	420979	1	Release Valve Body
14	251710	1	Hex Soc. Hd Shoulder Screw (3/8 x 3/8 Lg.; Apply Loctite #242 or equivalent; Torque to 100 in. lbs.)
15	215300	1	Decal (Gauge; For all models except P59F-IND)
	252246	1	Decal (Gauge; For P59F-IND)
	201746	1	Decal (Return; For P59FR)

Part numbers marked with an asterisk (*) are contained in Standard Repair Kit No. 300814.

Part numbers marked with a dagger (†) are contained in Viton Seal Kit No. 300815.

Part numbers marked with a bullet (•) are contained in EPR Seal Kit No. 300816.

DETAIL "A"



Item No.	Part No.	No. Req'd	Description
1	29365	1	Release Valve Button
2	*10266	1	O-ring (3/8 X 1/4 X 1/16; Nitrile)
	†11438	1	O-ring (3/8 X 1/4 X 1/16; Viton)
	•17715	1	O-ring (3/8 X 1/4 X 1/16; EPR)
3	251297	1	Spring (.36 OD x .51 x .05 ws)
4	34377	1	Poppet Retainer
5	*15279	1	O-ring (1/2 X 3/8 X 1/16; Nitrile)
	†19775	1	O-ring (1/2 X 3/8 X 1/16; Viton)
	•17716	1	O-ring (1/2 X 3/8 X 1/16; EPR)
6	†*10375	1	Steel Ball (1/4 Dia.)
7	25685	1	Ball Retainer
8	†*14624	1	Compression Spring (1/4 O.D. X 3/4 Lg.)

Part numbers marked with an asterisk (*) are contained in Standard Repair Kit No. 300814.

Part numbers marked with a dagger (†) are contained in Viton Seal Kit No. 300815.

Part numbers marked with a bullet (•) are contained in Viton Seal Kit No. 300816.

Refer to any operating instructions included with the product for detailed information about operation, testing, disassembly, reassembly, and preventive maintenance.

Items found in this parts list have been carefully tested and selected. **Therefore: Use only genuine Power Team replacement parts!**

Additional questions can be directed to our Technical Services Department.