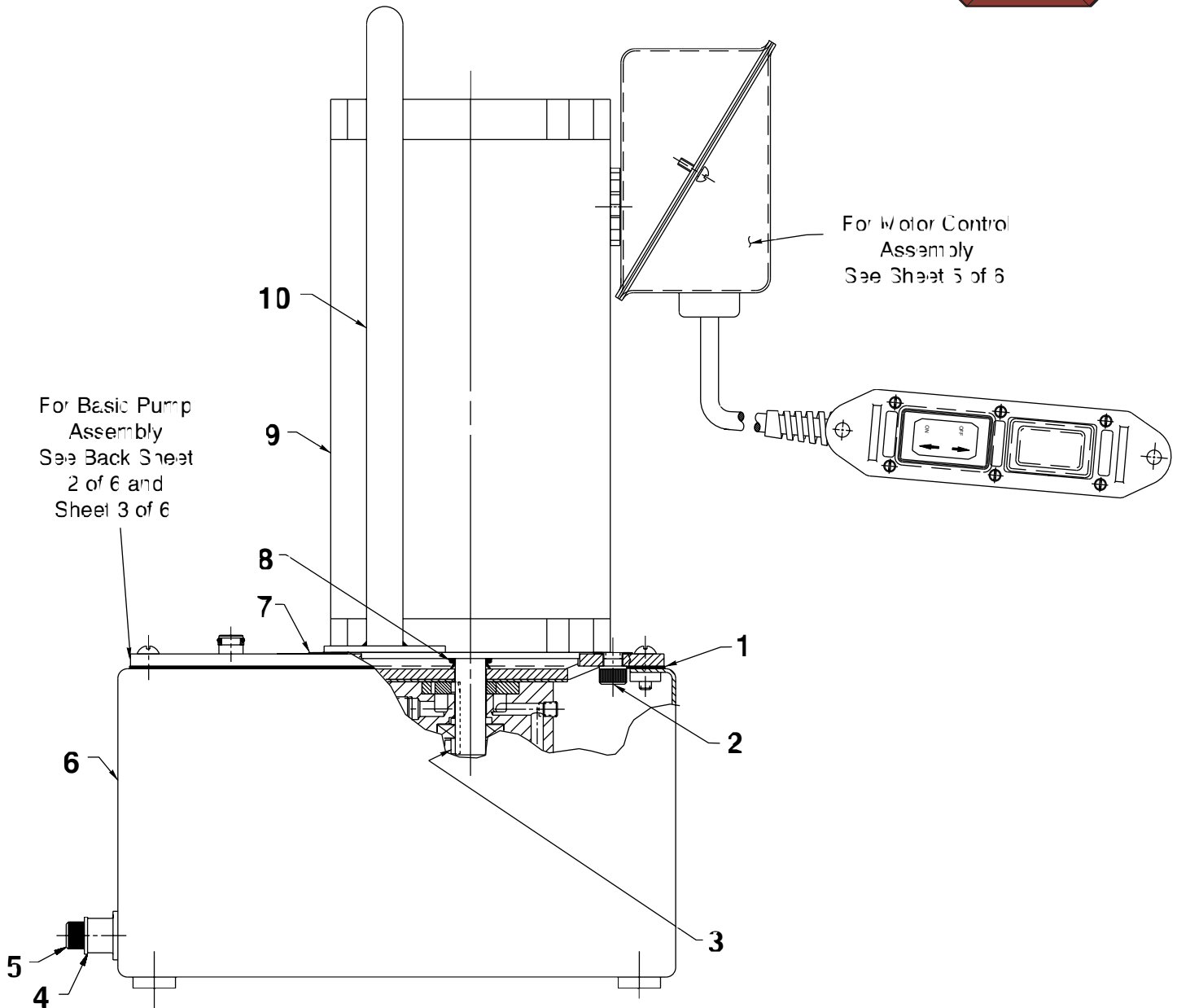


ELECTRIC HYDRAULIC PUMP Maximum Capacity: 10,000 PSI



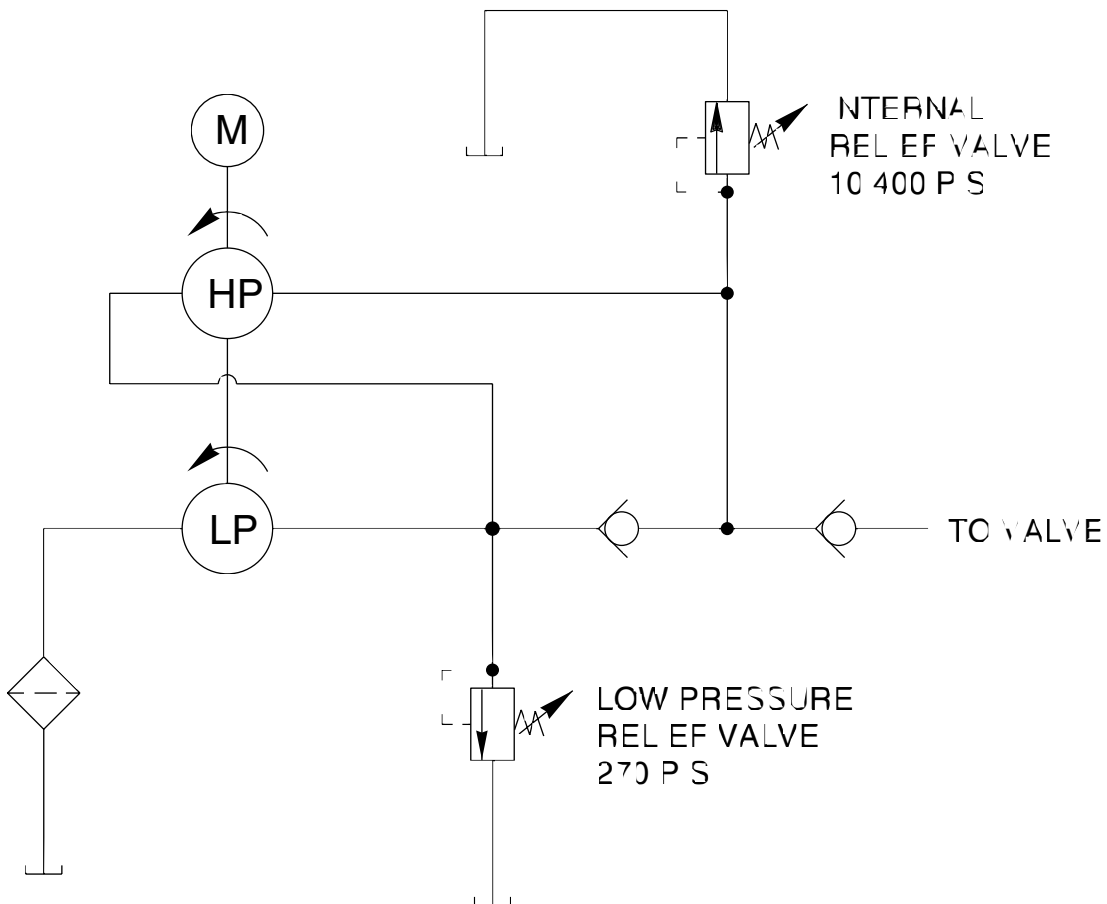
Item No.	Part No.	No. Req'd	Description
1	40164	1	Reservoir Gasket
2	10050	4	Socket Head Screw (3/8-16 X 1" Lg.; Torque to 90/100 in. lbs.)
3	214097	1	Key
4	19779	1	Seal Washer (.729 X .421 X .1)
5	10412	1	Socket Head Screw (3/8-16 UNC x 1/2 Lg.)
6	61799BK2	1	Reservoir
7	307425	1	Motor Base Gasket
8	213674	1	V-ring (.790 X .550)
9	53351	1	Electric Motor (12 VDC)
10	421055	1	Handle



PARTS INCLUDED BUT NOT SHOWN

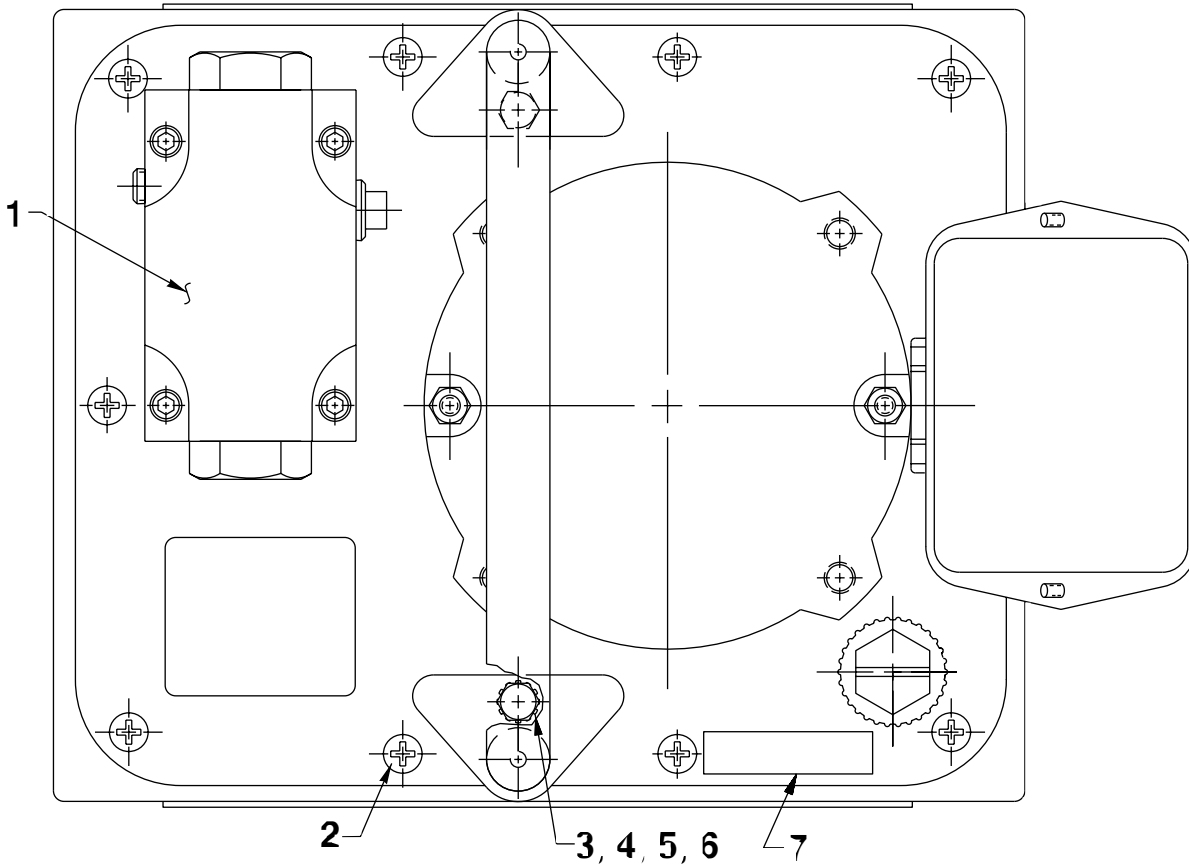
253374	1	Connector	} For connecting power to pump
253375	2	Bushings	

HYDRAULIC SCHEMATIC



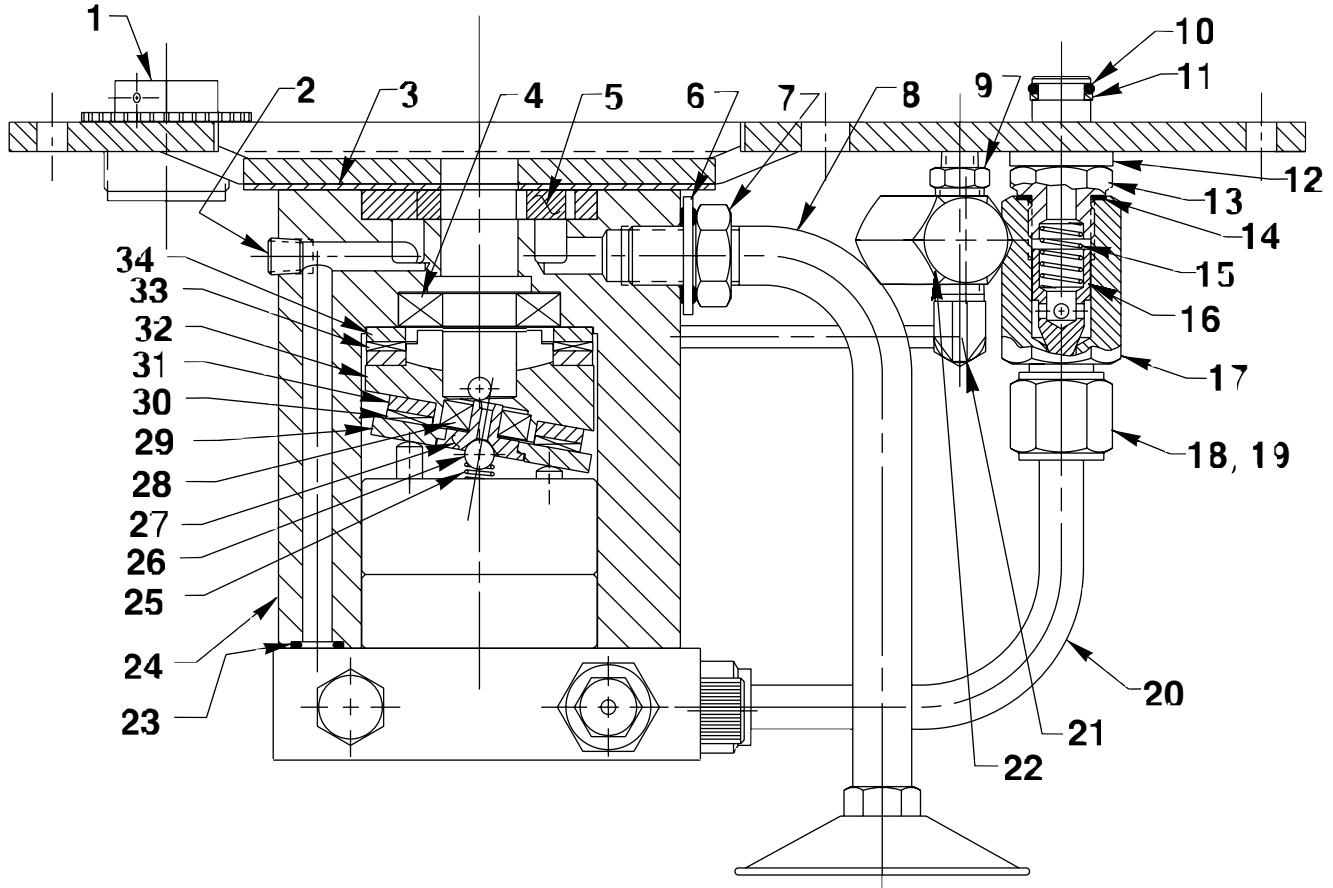
Note: Shaded areas reflect last revision(s) made to this form.

TOP VIEW



Item No.	Part No.	No. Req'd	Description
1	350165	1	3-Way Auto Valve
2	10177	10	Round Head Screw (1/4-20 UNC X 3/4 Lg.)
3	10009	2	Hex Head Cap Screw (1/4-20 UNC X 3/4 Lg.)
4	11351	2	External Tooth Washer (1/4 External Tooth)
5	10245	2	Lockwasher (For 1/4 bolt)
6	10199	2	Hex Nut (1/4-20 UNC; Torque to 60/80 in. lbs.)
7	251874	1	Information Decal (Oil SUS)

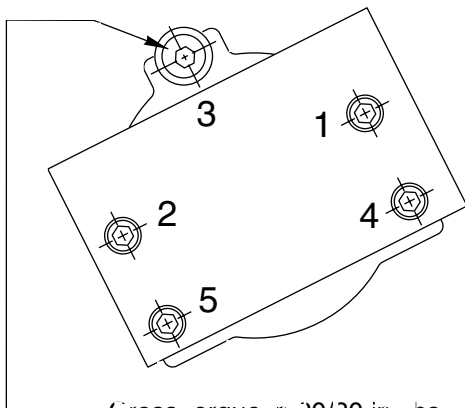
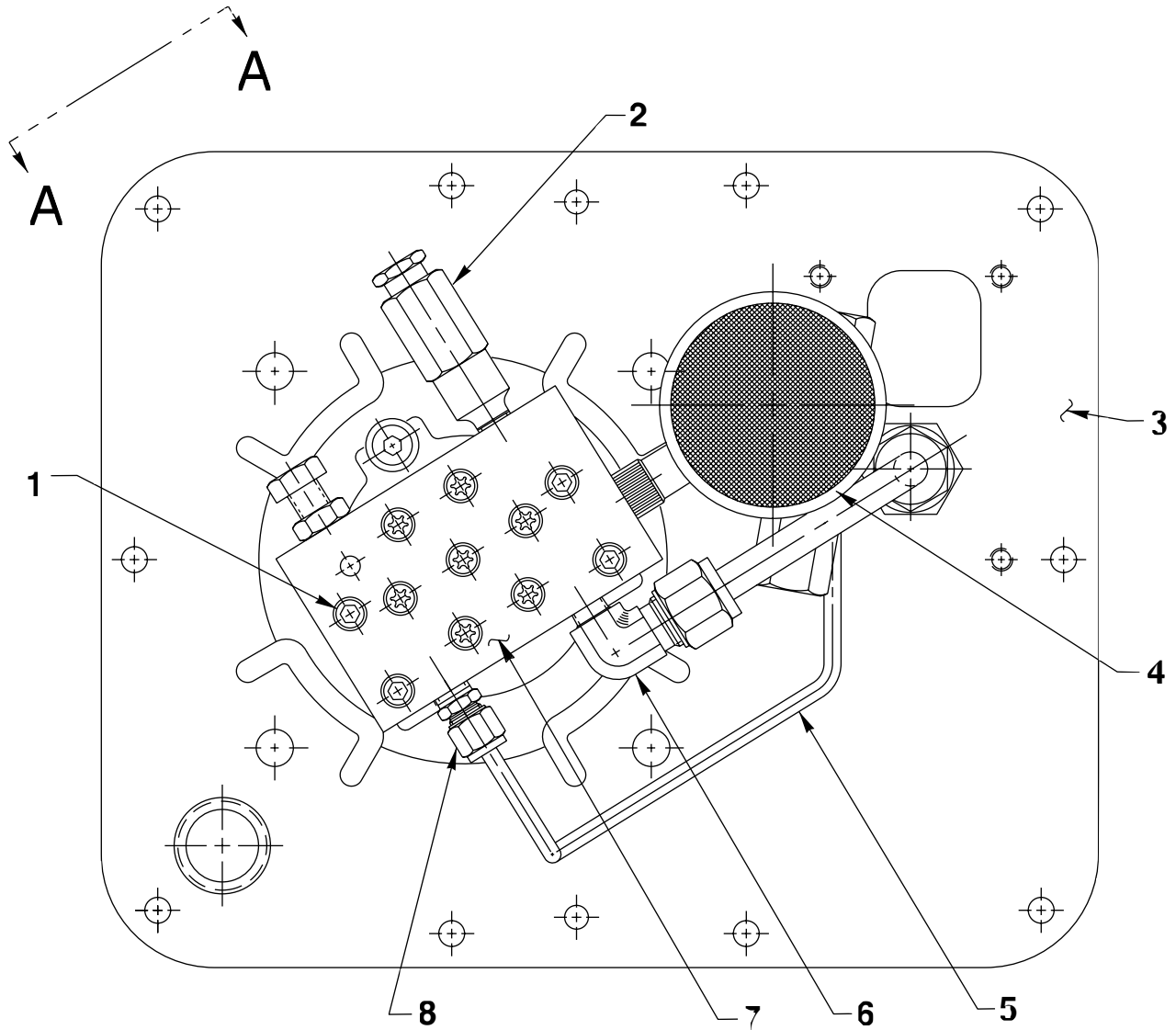
BASIC PUMP ASSEMBLY



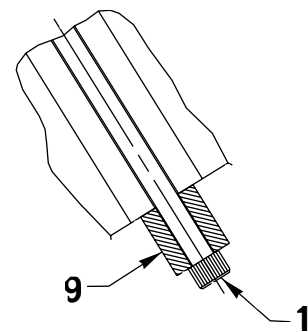
Item No.	Part No.	No. Req'd	Description
1	213706	1	Filler Plug (1-1/16-12UN)
2	11084	1	Plug Fitting (1/16 NPTF)
3	307296	1	Wear Plate
4	15695	1	Ball Bearing
5	15693	1	Gerotor Set
6	213709	1	Seal Washer (Nitrile; Turn on – do not push on.)
	215633	1	Seal Washer (Viton; Turn on – do not push on.)
	215634	1	Seal Washer (EPR; Turn on – do not push on.)
7	10390	1	Hex Jam Nut (1/2-20 UNF)
8	213686	1	Intake Tube
9	215373	1	Straight Fitting (1/16 NPTF)
10	10268	1	O-ring (1/2 X 3/8 X 1/16; Nitrile)
	11439	1	O-ring (1/2 X 3/8 X 1/16; Viton)
	17716	1	O-ring (1/2 X 3/8 X 1/16; EPR)
11	11863	1	Backup Washer (1/2 X 3/8 X 1/16)
12	21484	1	Spacer
13	214762	1	Valve Connector (Note: The torque between the valve connector (Item #13) and the cover plate shall be 30 ft. lbs. maximum. The torque between the valve connector (Item #13) and the check valve body (Item #17) shall be 40-50 ft. lbs.)
14	10261	1	Copper Washer(3/4 X 19/32 X 1/32)

Item No.	Part No.	No. Req'd	Description
15	10425	1	Compression Spring (3/8 O.D. X 3/4 Lg.)
16	20771	1	Poppet
17	201879	1	Check Valve
18	10430	1	Tube Sleeve (3/8 Dia.)
19	10431	1	Tube Nut Fitting (5/8-18 UNF)
20	307459	1	Oil Line Tube
21	11278	1	90° Elbow Fitting (1/8 NPTF)
22	21943	1	Accumulator
23	10267	1	O-ring (7/16 X 5/16 X 1/16; Nitrile)
	18974	1	O-ring (7/16 X 5/16 X 1/16; Viton)
	13472	1	O-ring (7/16 X 5/16 X 1/16; EPR)
24	52883	1	Pump End Housing
25	16320	1	Compression Spring (1/4 O.D. X 3/4 Lg.)
26	10375	1	Steel Ball (1/4 Dia.)
27	23547	1	Bearing Top Plate
28	11814	1	Ball Bearing
29	23548	1	Top Plate
30	15431	1	Needle Bearing
31	15432	1	Bearing Race
32	35271	1	Angle Plate
33	11228	1	Needle Bearing
34	11227	2	Bearing Race

BASIC PUMP BOTTOM VIEW



Cross torque in 20/30 in. lbs increments in order shown



View A-A

Item No.	Part No.	No. Req'd	Description
1	15642	5	Socket Head Screw(1/4-20 UNC X 5" Lg.; Torque to 55/65 in. lbs.)
2	21278	1	Relief Valve (Set at 10,100 to 10,700 PSI)
3	421506BK2	1	Cover Plate
4	29682	1	Filter
5	47607	1	Oil Line Tube
6	10475	1	90° Elbow Fitting (3/8 Tube to 1/8 NPTF male)
7	36922	1	High Pressure Pump Assembly (See Sheet 4 of 6)
8	11173	1	Straight Fitting (1/8 NPTF)
9	214720	1	Spacer



Refer to any operating instructions included with this product for detailed information about operation, testing, disassembly, reassembly, and preventive maintenance.

Items found in this parts list have been carefully tested and selected. **Therefore: Use only genuine Power Team replacement parts!**

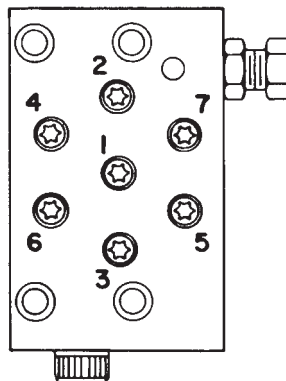
Additional questions can be directed to our Technical Services Department.

Item No.	Part No.	No. Req'd	Description
1	*16747	7	Torx Drive Cap Screw (1/4-28 x 1-3/4 Lg.; See diagram below)
2	*36912	1	Pump End Plate
3	*24549	4	Valve Guide
4	*10445	4	Compression Spring (5/32 O.D. x 3/4 Lg.)
5	*12223	4	Steel Ball (3/16 dia.)
6	*20775	2	Piston
7	*41006	1	Pump Barrel
8	*41007	1	Valve Head
9	200797	1	Adjusting Screw
10	10386	1	Jam Nut (3/8-24)
11	15691	1	Compression Spring (1/4 O.D. x 5/8 Lg.)
12	200796	1	Adapter, Spring & Ball
13	10375	2	Steel Ball (1/4 dia.)
14	201998	1	Sleeve
15	12571	1	Roll Pin (1/8 dia. x 1-3/8 Lg.)
16	14431	1	Compression Spring (.197 O.D. x 3/4 Lg.)
17	12042	1	Copper Washer (9/16 x 3/8 x 1/32 thk.)
18	29690	1	Cap Screw (Torque to 180 in. lbs.)
19	10427	1	Pipe Plug (1/8 NPTF)



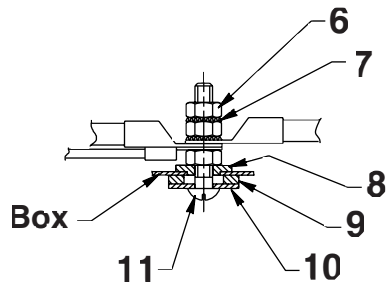
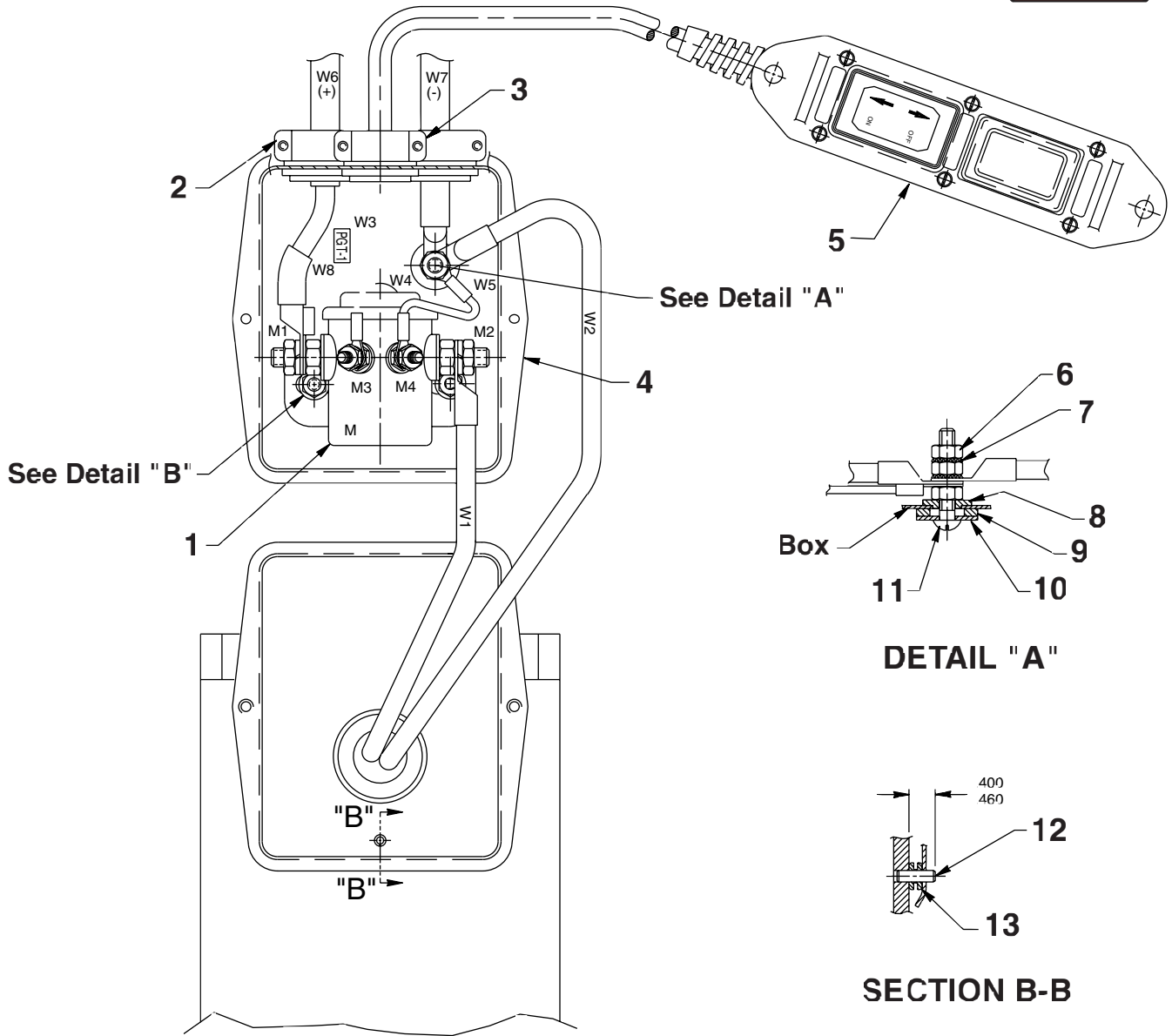
Consult factory when replacing items marked with an asterisk (*).

BOLT TIGHTENING SEQUENCE

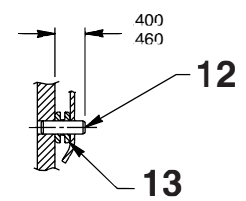


NOTE: Assemble in sequence shown. Lubricate under head on threads. Torque to 170 in. lbs.

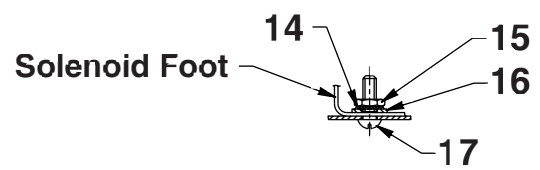
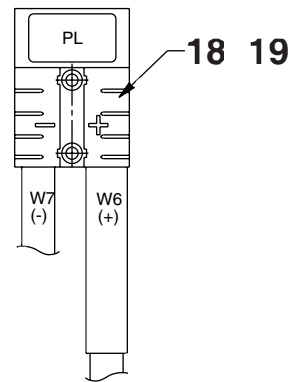
MOTOR CONTROL ASSEMBLY



DETAIL "A"



SECTION B-B



DETAIL "B"

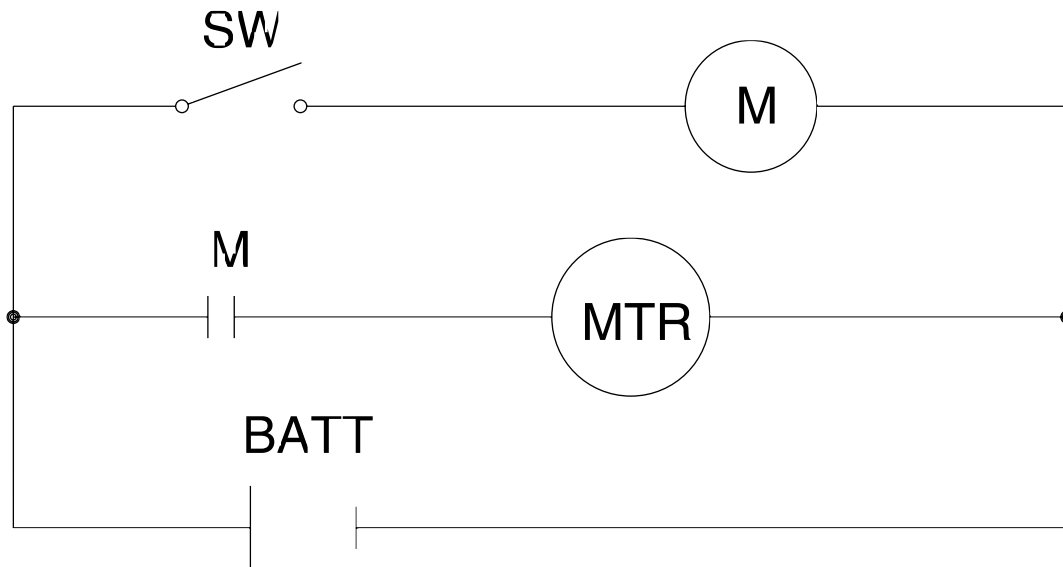
Item No.	Part No.	No. Req'd	Description
1	14912	1	Solenoid (12 VDC)
2	211240	2	Conduit Connector
3	11203	1	Conduit Connector
4	421499	1	Control Box (Note: Includes box, cover and (2) screws)
5	25017	1	Hand Control (See sheet 6 of 6)
6	10199	3	Hex Nut (1/4-20 UNC)
7	11351	2	External Tooth Washer (1/4 External Tooth)
8	202614	1	Seal
9	251384	1	Rubber Bushing
10	17160	1	Special Washer (.263 X 1" X .065)
11	10614	1	Round Head Screw (1/4-20 UNC X 1-1/2" Lg.)

Item No.	Part No.	No. Req'd	Description
12	10714	1	Slotted Spring Pin (Note: Install pin to dimension shown with slot towards bottom of motor.)
13	17896	1	Rubber Grommet
14	11108	2	External Tooth Washer (#10 External Tooth)
15	10197	2	Hex Nut (#10-24 UNC)
16	11089	2	Flat Washer (#10 bolt)
17	12354	2	Round Head Screw (10-24 UNC X 5/8 Lg.)
18	253374	1	Connector
19	253375	2	Bushing



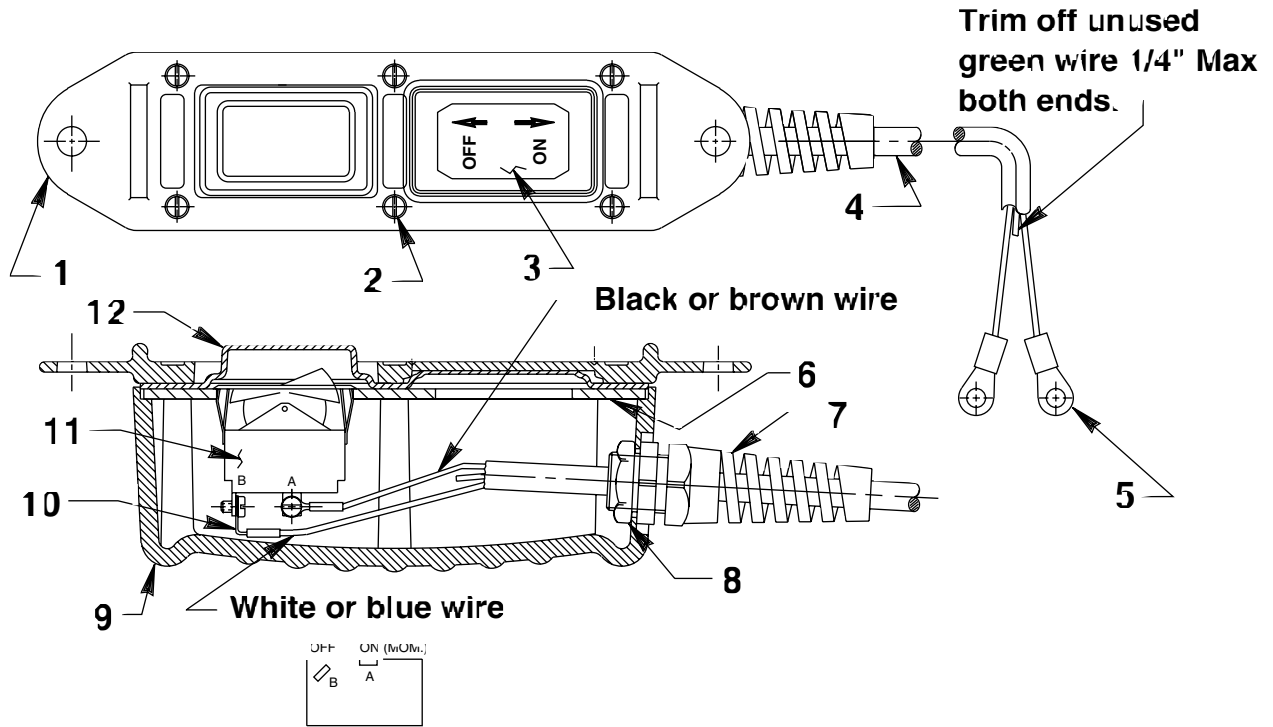
Note: Shaded areas reflect last revision(s) made to this form.

ELECTRICAL SCHEMATIC
12 V.D.C.



REMOTE HAND SWITCH ASSEMBLY

No. 25017



Item No.	Part No.	No. Req'd	Description
1	420050-1	1	Cover
2	250248	6	Screw (4-24 X 3/4 Lg.)
3	202763	1	Decal
4	12908	11 ft.	Cable (18/3 SJTO)
5	10458	2	Ring Terminal
6	420050-3	1	Switch mounting Plate
7	251818	1	Strain Relief Connector
8	251802	1	Locknut (3/4-16 UNF; Torque to 30/35 in. lbs.)
9	420050-4	1	Switch Housing
10	10525	2	Ring Terminal
11	16772	1	Rocker Switch
12	420050-2	1	Gasket